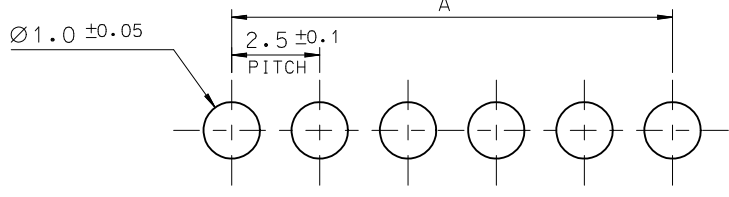
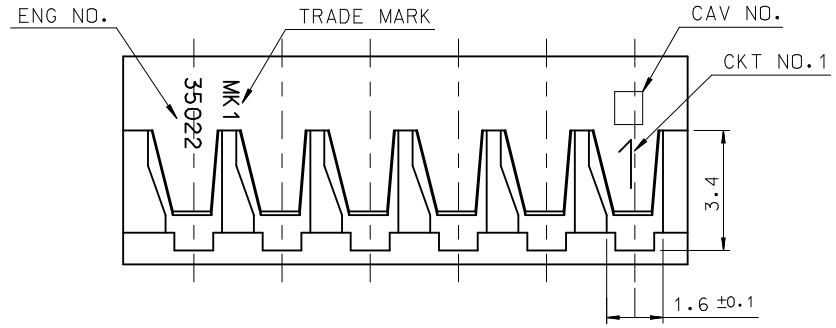
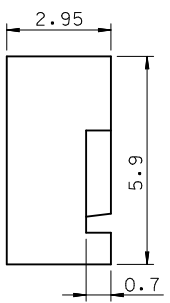
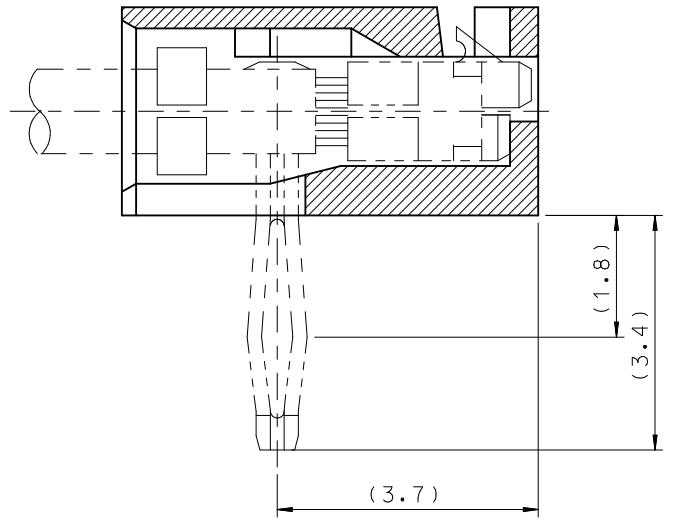
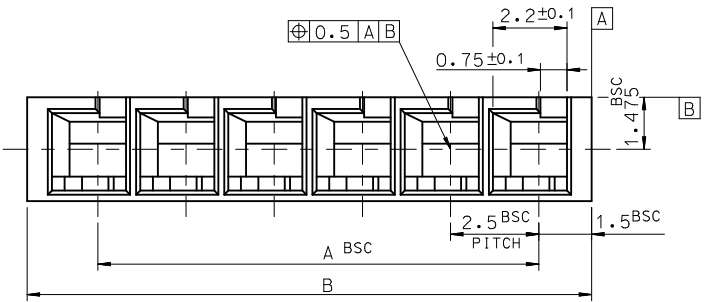
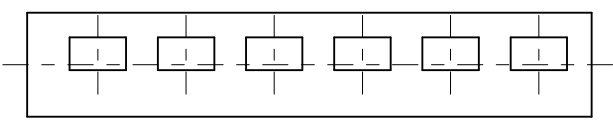


10 9 8 7 6 5 4 3 2 1



P.C. BOARD LAY OUT  
(THK.:1.6+)



				23.5	20.0	-0009	9
41.0	37.5	35022-0016	16	21.0	17.5	-0008	8
38.5	35.0	-0015	15	18.5	15.0	-0007	7
36.0	32.5	-0014	14	16.0	12.5	-0006	6
33.5	30.0	-0013	13	13.5	10.0	-0005	5
31.0	27.5	-0012	12	11.0	7.5	-0004	4
28.5	25.0	-0011	11	8.5	5.0	-0003	3
26.0	22.5	-0010	10	6.0	2.5	35022-0002	2
B	A	ENG NO.	CKT NO.	B	A	ENG NO.	CKT NO.

NOTE.  
 1. MATERIAL : PA66,UL94V-0  
 COLOR : IVORY  
 2. APPLICABLE TERMINAL : 35021-1001/1101

REVISED	EC NO: KOR2011-0061	2010/12/28	QUALITY SYMBOLS
	DRWN: JHPARK01	2010/12/28	
	CHKD: SHCHU	2010/12/28	▽=0
	APPR: YUNSIKKIM	2010/12/28	⊕=0

GENERAL TOLERANCES (UNLESS SPECIFIED)	
	mm INCH
4 PLACES	± --- ± ---
3 PLACES	± --- ± ---
2 PLACES	± --- ± ---
1 PLACE	± 0.30 ± ---
ANGULAR ± 1 °	
DRAFT WHERE APPLICABLE MUST REMAIN WITHIN DIMENSIONS	

DIMENSION STYLE		SCALE	DESIGN UNITS	THIRD ANGLE PROJECTION
MM ONLY		7:1	METRIC	⊕ □
DRAWN BY	DATE	TITLE		
HS.SHIN		2.5MM R/A B-IN CONNECTOR HOUSING		
CHECKED BY	DATE			
APPROVED BY	DATE			
MATERIAL NO.	DOCUMENT NO.	SHEET NO.		
SEE TABLE	SD-35022-00**	1 OF 01		

**MOLEX INCORPORATED**

THIS DRAWING CONTAINS INFORMATION THAT IS PROPRIETARY TO MOLEX INCORPORATED AND SHOULD NOT BE USED WITHOUT WRITTEN PERMISSION

9 8 7 6 5 4 3 2 1