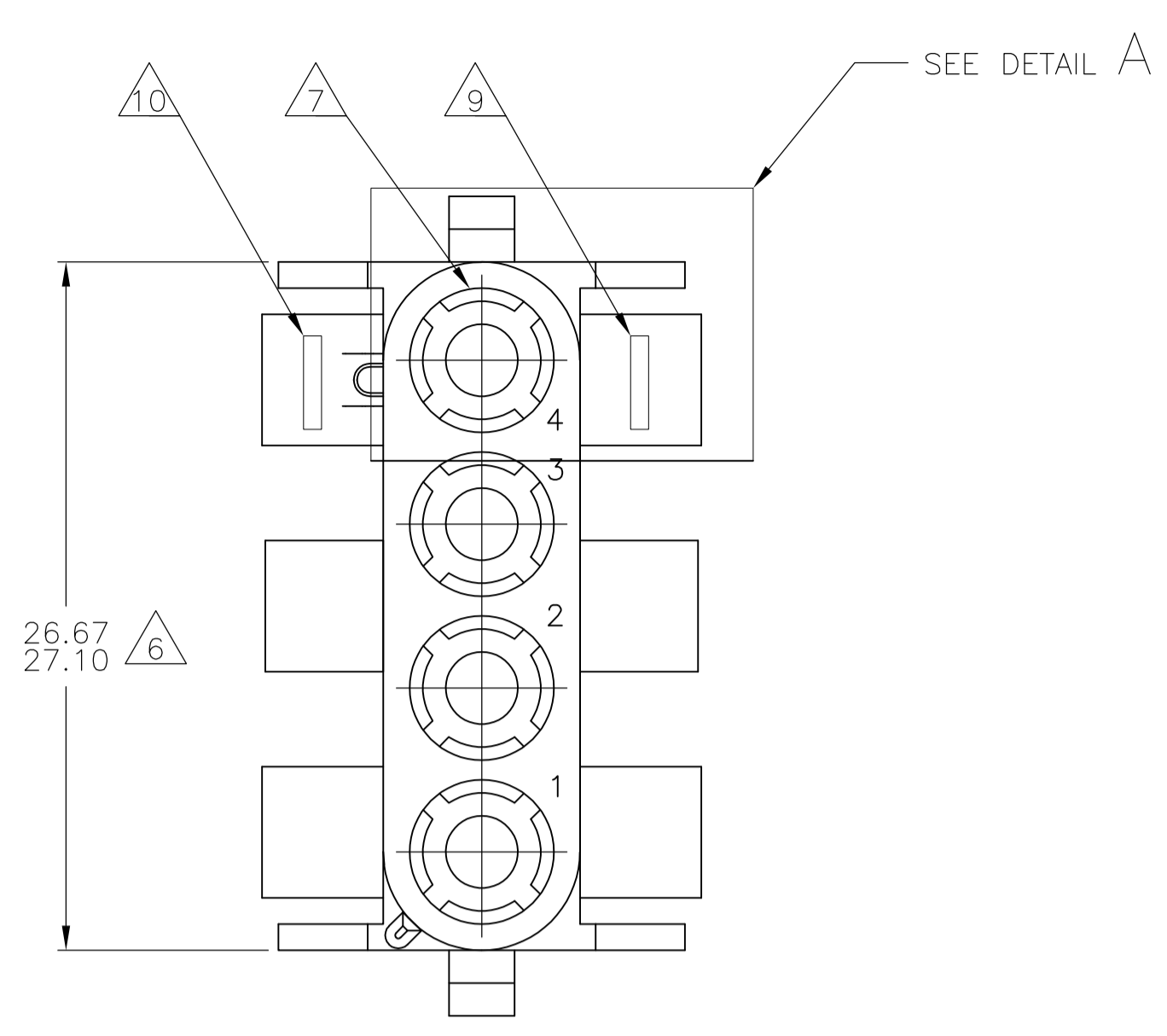
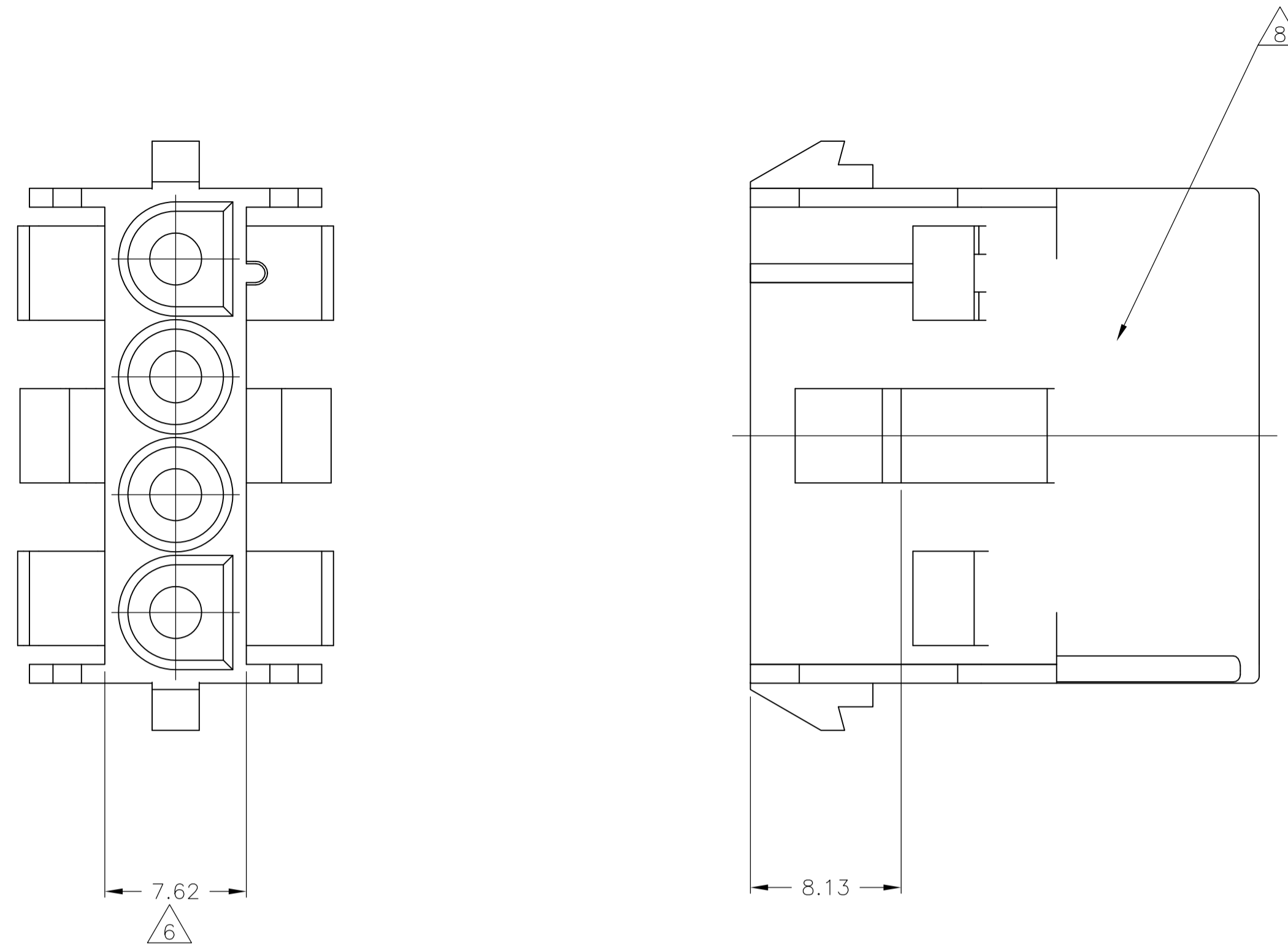
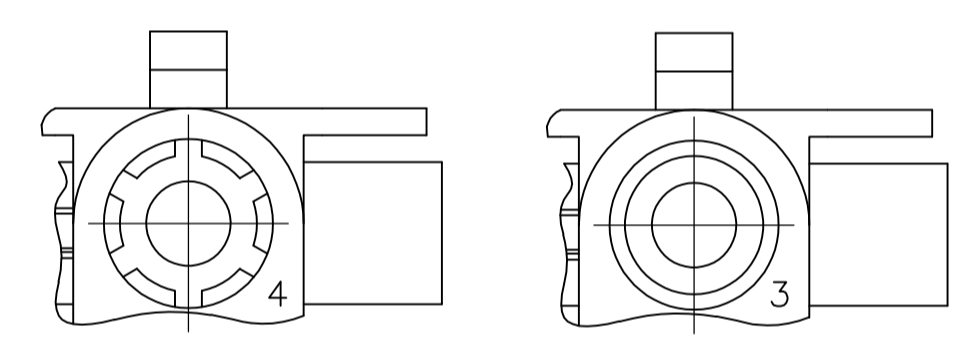


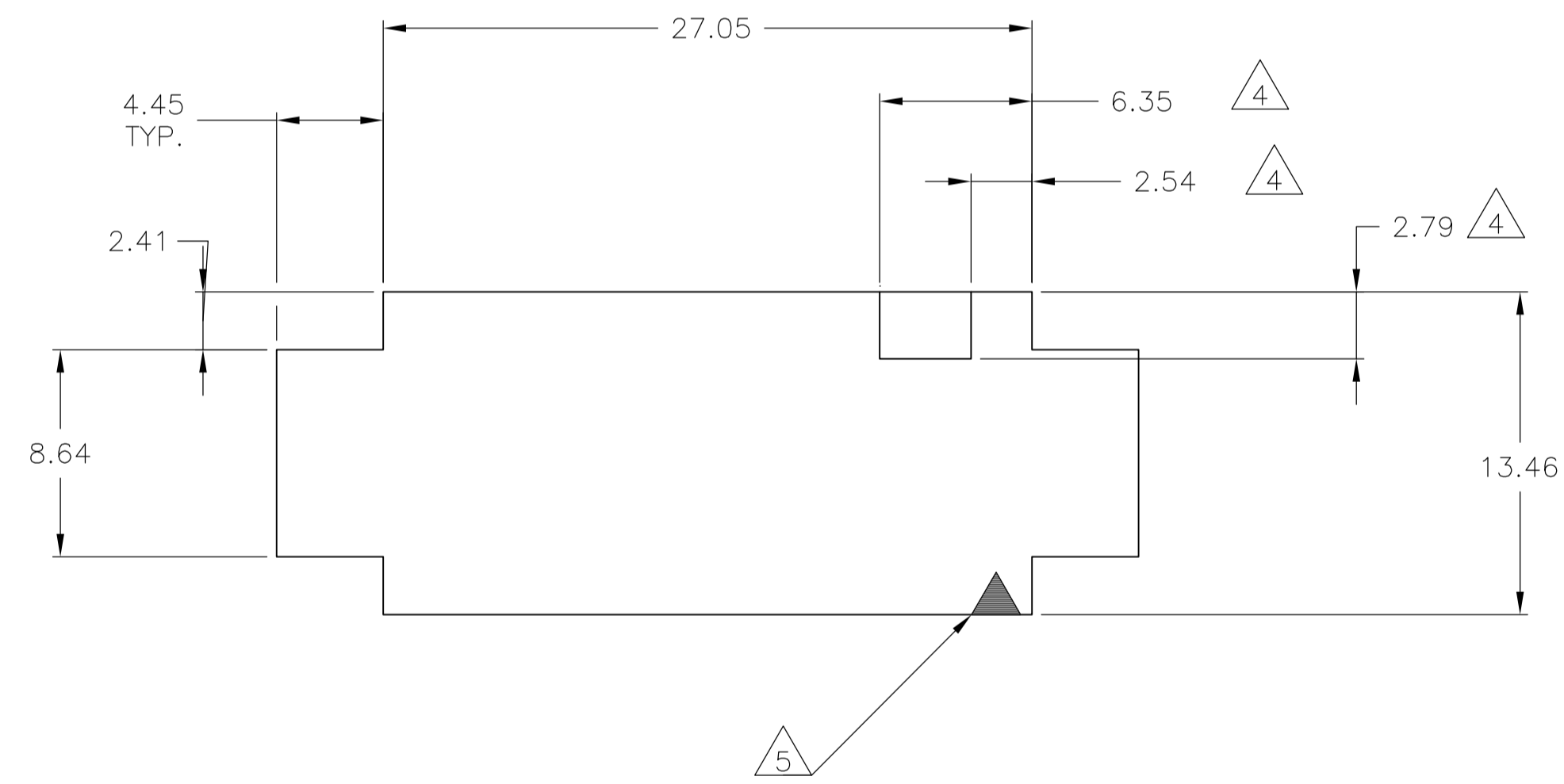
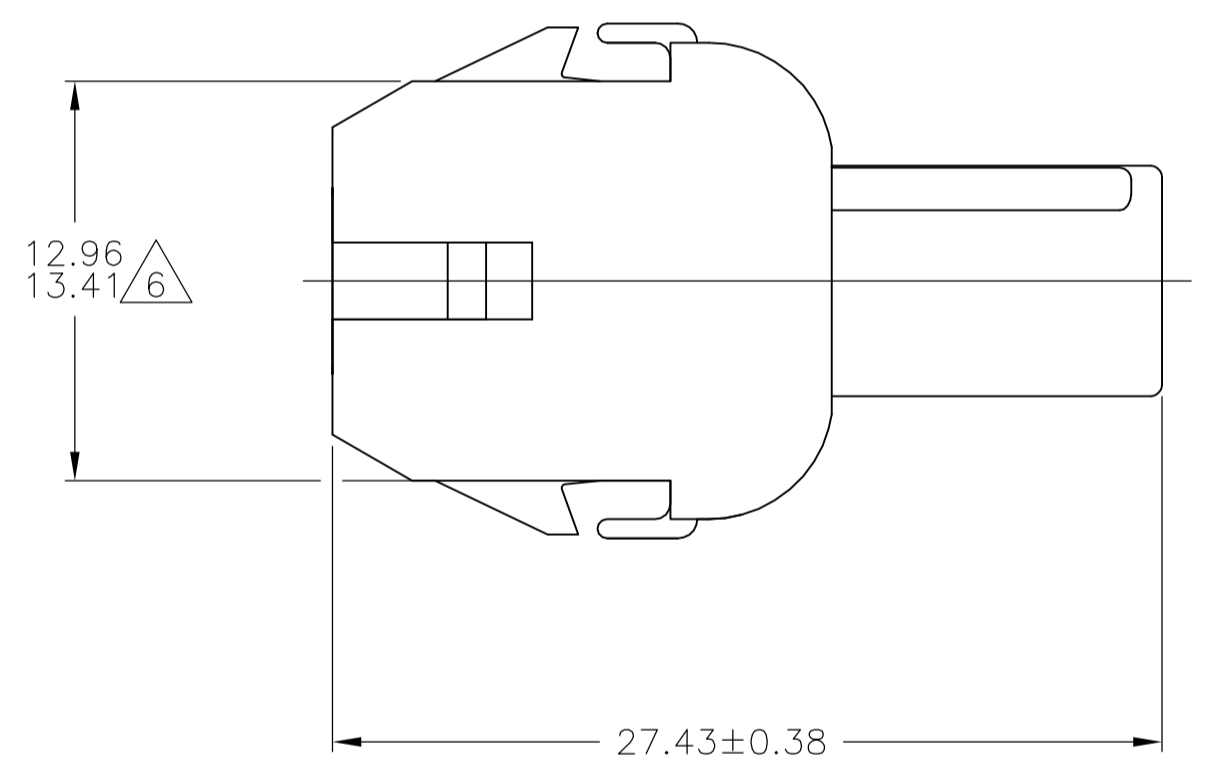
| LOC | | DIST | | REVISIONS | | | | |
|-----|----|------|-----|-----------|-----------------------|---------|-----|------|
| CM | OO | REV | PER | ECO | DESCRIPTION | DATE | DWN | APVD |
| C | | | | | REV PER ECO 13-008284 | 16MAY13 | JR | TM |



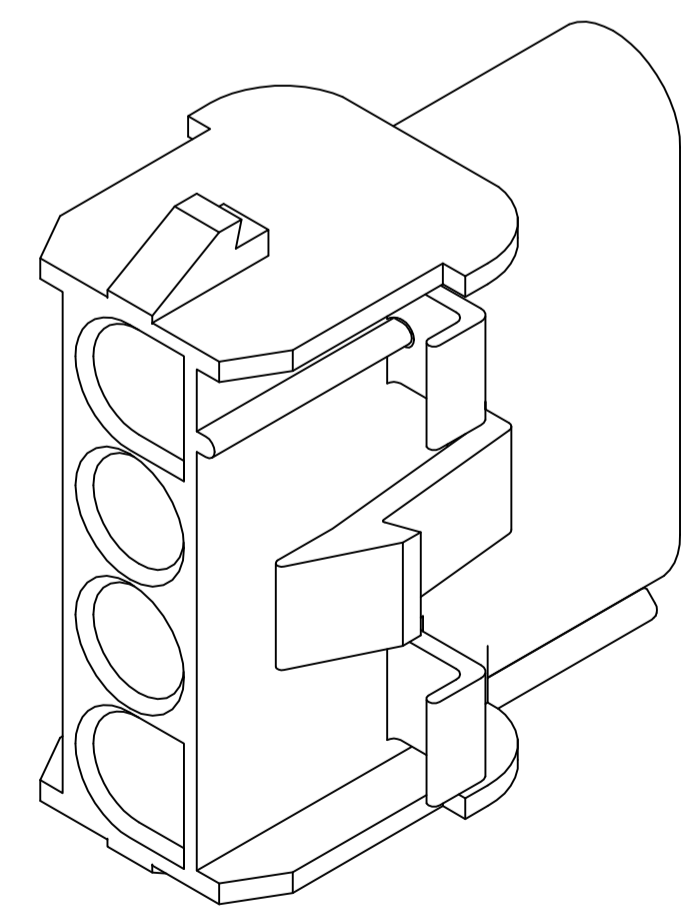
1. MATES WITH APPROPRIATE UNIVERSAL MATE-N-LOK™ PLUG.
2. RECOMMENDED PANEL THICKNESS 0.76 - 2.29.
3. PANEL MUST BE PUNCHED SO THAT THE HOUSING ENTERS THE PANEL IN THE SAME DIRECTION AS THE PUNCH.
4. OPTIONAL FOR KEYING HOUSING IN PANEL.
5. CIRCUIT NUMBER 1 LOCATION.
6. UPPER DIMENSION REPRESENTS POTENTIAL MAXIMUM GROWTH DUE TO MOISTURE ABSORPTION.
7. FOUR RIBS EQUALLY SPACED, NO SPECIFIC ORIENTATION. NO RIBS OR SIX RIBS EQUALLY SPACED, NO SPECIFIC ORIENTATION, OPTIONAL.
8. UNDERWRITERS RECOGNIZED COMPONENT LOGO AND CSA CERTIFICATION LOGO TO BE LOCATED ONCE EACH ON SIDE OF HOUSING.
9. MANUFACTURING LOCATION ID (OPTIONAL).
10. TRADEMARK LOCATION (AMP OR TYCO).
11. FLAMMABILITY V2 FOR THICKNESS 0.38mm, 1.5mm, and 3.0mm PER IEC 60695-11-10.
12. GLOW-WIRE FLAMMABILITY (GWFI) 800°C FOR THICKNESS 0.38mm AND 0.75mm PER IEC 60695-2-12.
13. GLOW-WIRE FLAMMABILITY (GWFI) 960°C FOR THICKNESS 1.5mm AND 3.0mm PER IEC 60695-2-12.
14. GLOW-WIRE IGNITION (GWIT) 825°C FOR THICKNESS 0.38mm, 0.75mm, 1.5mm AND 3.0mm PER IEC 60695-2-13.



DETAIL A
OPTIONAL CONSTRUCTIONS



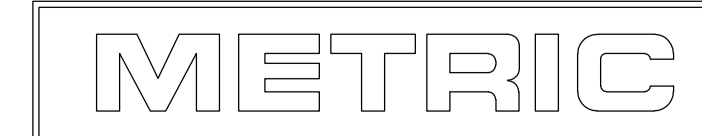
RECOMMENDED PANEL CUT OUT



3-DIMENSIONAL MODEL
NTS

| | | | |
|------|------|-------|-------|
| 6.35 | .250 | 27.43 | 1.080 |
| 4.45 | .175 | 27.10 | 1.067 |
| 3 | .118 | 27.05 | 1.065 |
| 2.79 | .110 | 26.67 | 1.050 |
| 2.54 | .100 | 13.46 | .530 |
| 2.41 | .095 | 13.41 | .528 |
| 2.29 | .090 | 12.96 | .510 |
| 0.76 | .030 | 8.64 | .340 |
| 0.4 | .016 | 8.13 | .320 |
| 0.38 | .015 | 7.62 | .300 |
| MM | IN | MM | IN |

CONVERSION TABLE



THIS DRAWING IS A CONTROLLED DOCUMENT.

| | | | | | | | | |
|--------------------------|--|------------|------------|---------------|------------|------------|----------------|----------|
| DIMENSIONS: mm | TOLERANCES UNLESS OTHERWISE SPECIFIED: | 0. PLC ± - | 1. PLC ± - | 2. PLC ± 0.25 | 3. PLC ± - | 4. PLC ± - | ANGLES ± 0°30' | FINISH - |
| MATERIAL: NYLON, UL94V-2 | | | | | | | | |

| | | | | | | | | | |
|--|--------------------------|--|-----------------|---------------------|-----------|------------|------------------|-----------------------|------------------|
| DIN: K. WHITAKER 18JUL2007 | APVD: D. COLEY 18JUL2007 | NAME: D. COLEY | PRODUCT SPEC: - | APPLICATION SPEC: - | WEIGHT: - | SIZE: A1 | CAGE CODE: 00779 | DRAWING NO: C=1586845 | RESTRICTED TO: - |
| Tyco Electronics Corporation Harrisburg, Pa 17105-3608 | | CAP, 4 CIRCUIT, UNIVERSAL MATE-N-LOK(TM) | | CUSTOMER DRAWING | | SCALE: 4:1 | SHEET: 1 of 1 | REV: C | |