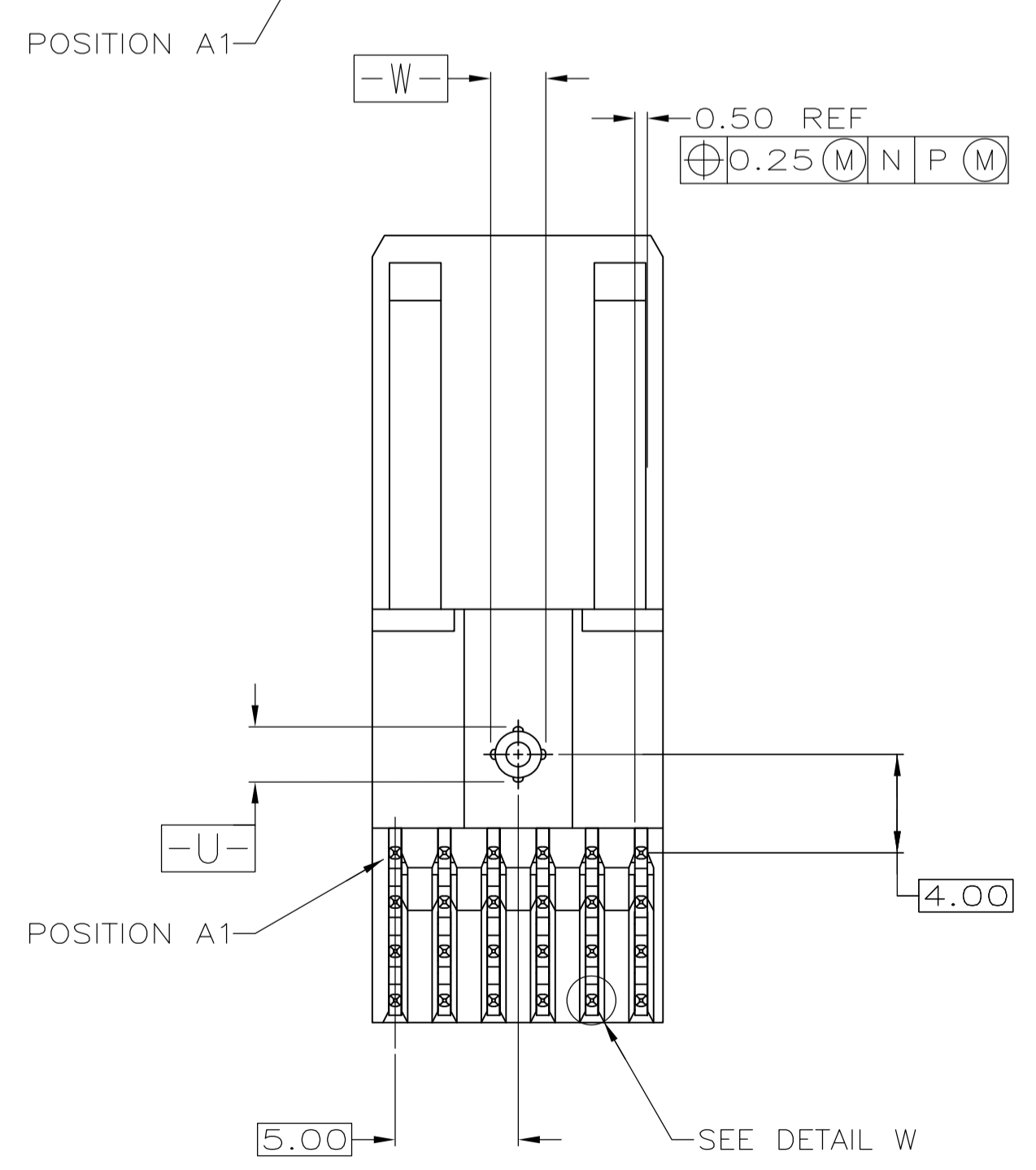
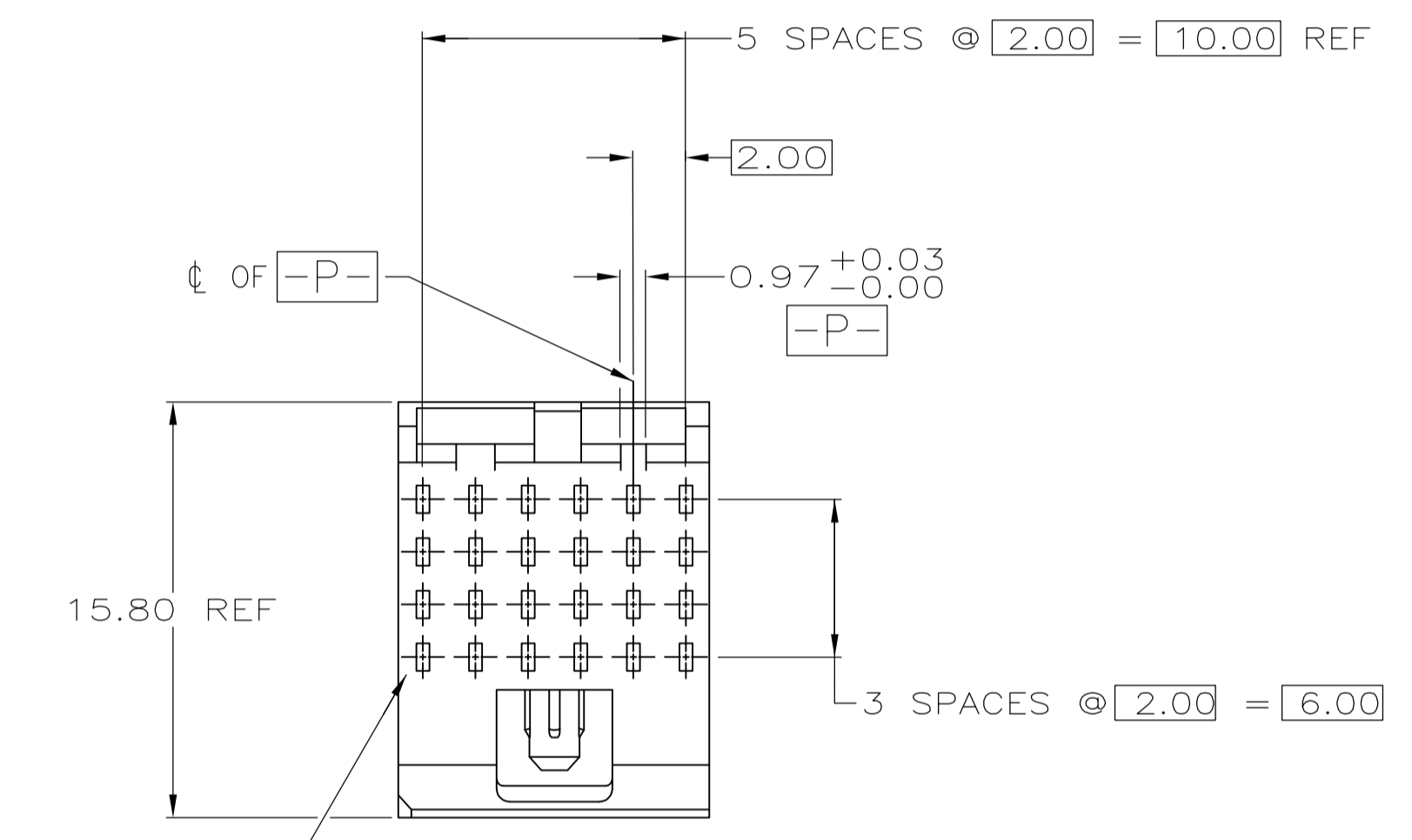
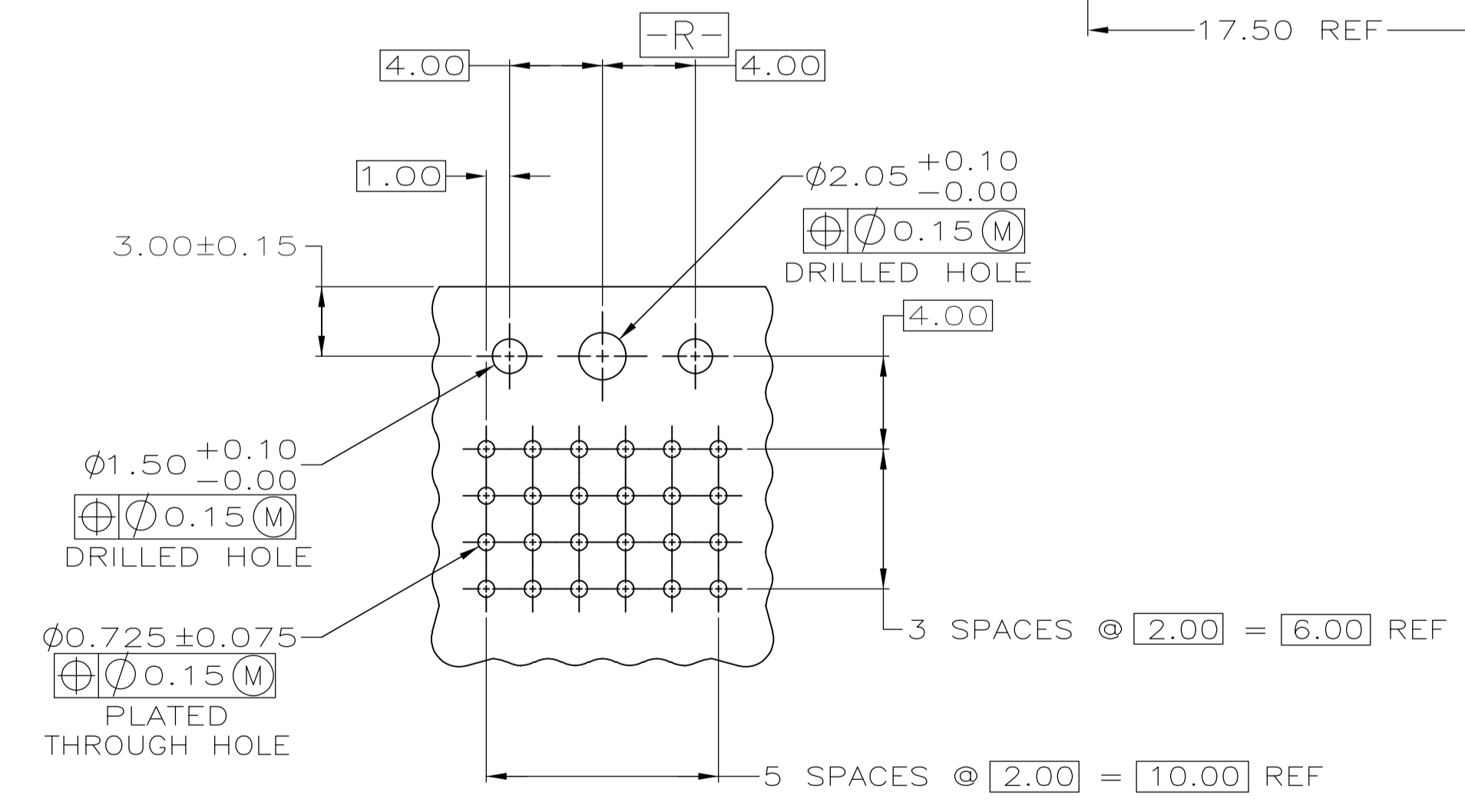
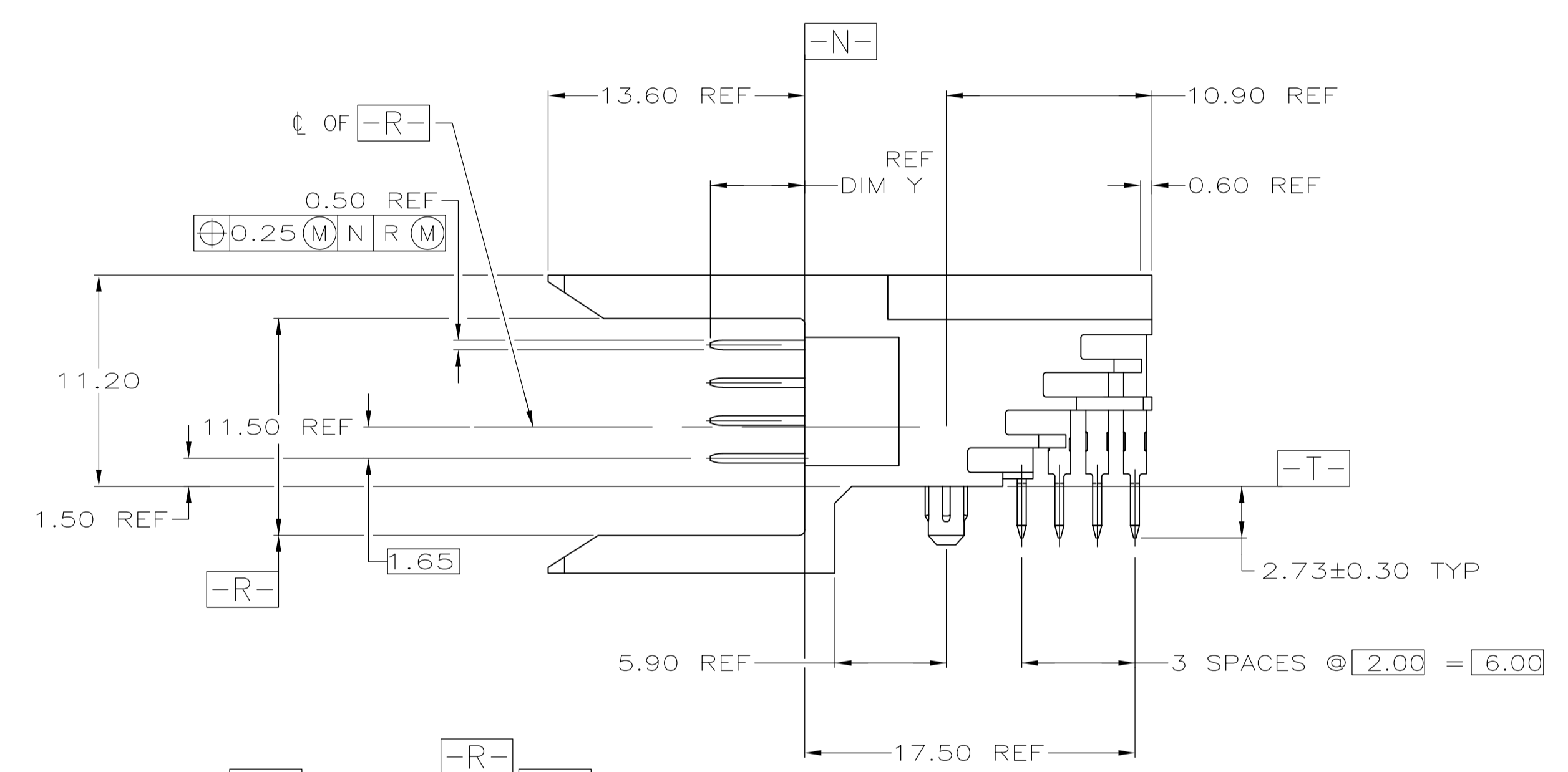


DETAIL W
SCALE 10:1

- △ HOUSING MATERIAL: LIQUID CRYSTAL POLYMER, COLOR: NATURAL.
- △ CONTACT MATERIAL: PHOSPHOR BRONZE.
- △ CONTACT FINISH:
UNDERPLATE (ENTIRE CONTACT):
0.00127 MIN NICKEL.
ON MATING SURFACES:
CONFORMS TO ALL TESTING SPECIFIED FOR TELCORDIA UNCONTROLLED ENVIRONMENT.
ON LEADS
0.00381 MIN TIN-LEAD OVER UNDERPLATE.
LUBRICATION (ENTIRE CONTACT):
SURFACE CONDITIONER PER AMP SPEC 112-1002 AFTER PLATING.
- △ PART MARKING PER AMP INCORPORATED SPECIFICATION 115-9009, LOCATED APPROXIMATELY AS SHOWN.
- △ PART TO BE MARKED WITH DATE CODE ONLY.



| | |
|----------------|-------|
| 3 | 6.50 |
| 2 | 5.75 |
| 1 | 5.00 |
| CONTACT NUMBER | DIM Y |



RECOMMENDED CIRCUIT PATTERN
PER IPC-D300 TYPE II, CLASS C
COMPONENT SIDE

| | | | | | | | | | |
|--------|---|---|---|---|---|---|--------|---|-----|
| ROW | D | 2 | 1 | 1 | 1 | 3 | 1 | D | ROW |
| | C | 2 | 1 | 1 | 1 | 3 | 1 | C | |
| | B | 2 | 1 | 1 | 1 | 3 | 1 | B | |
| | A | 2 | 1 | 1 | 1 | 3 | 1 | A | |
| COLUMN | 1 | 2 | 3 | 4 | 5 | 6 | COLUMN | | |

CONTACT LOADING
CHART BY ITEM
NUMBER

THIS DRAWING IS A CONTROLLED DOCUMENT.

| | | | | |
|----------------|--|----------------------|------------------------|---|
| DIMENSIONS: mm | TOLERANCES UNLESS OTHERWISE SPECIFIED: | DIN T. SHUEY 3-12-99 | APVD C. SCHMID 3-16-99 | NAME: PIN ASSY,Z-PACK 2mm FB,RIGHT ANGLE, 4 ROW,24 POSITION,SEQUENCED |
| 0 PLC ± - | 1 PLC ± - | 2 PLC ± 0.13 | 3 PLC ± - | 4 PLC ± - |
| ANGLES ± - | | | | |
| MATERIAL | FINISH | SIZE: A1 | CAGE CODE: 00779 | DRAWING NO: 223532 |
| | | WEIGHT: - | SCALE: 4:1 | SHEET: 1 OF 1 |
| | | CUSTOMER DRAWING | | REV: D2 |