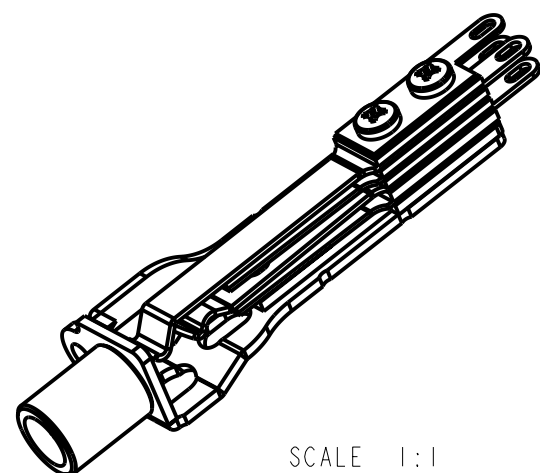
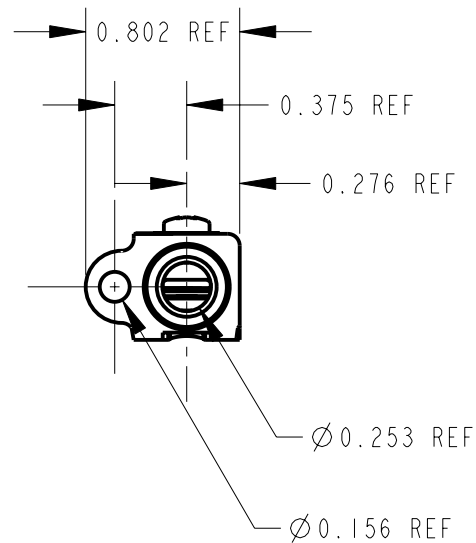
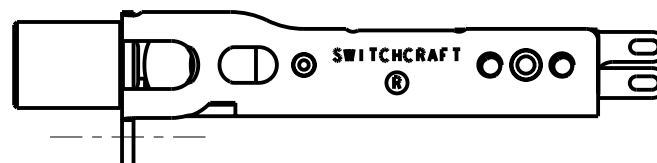
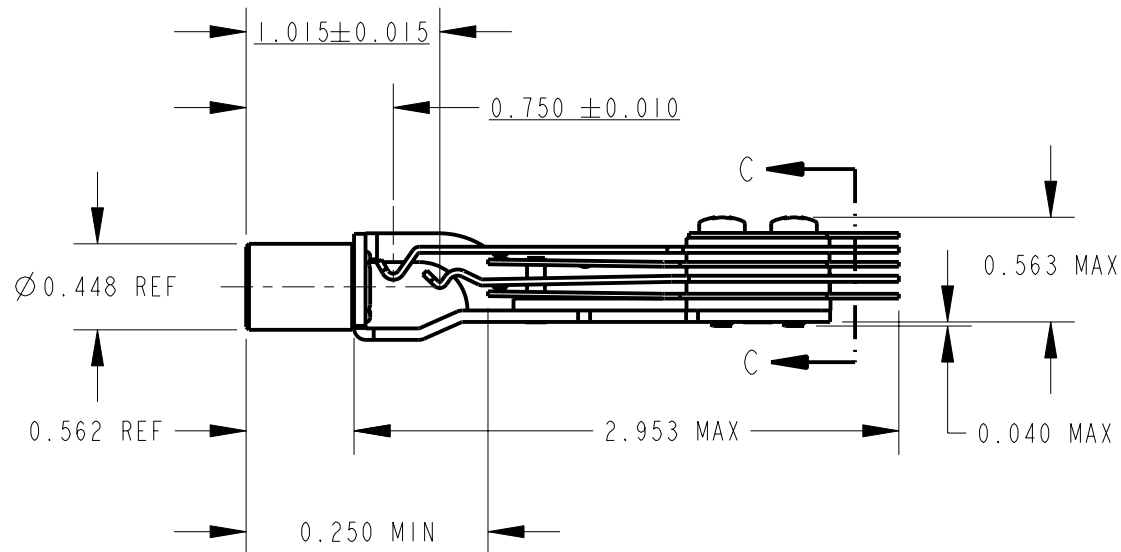
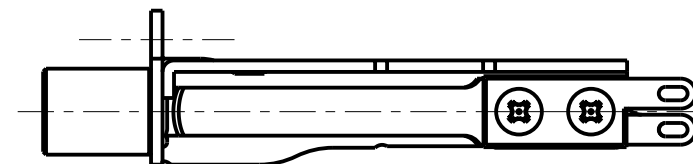
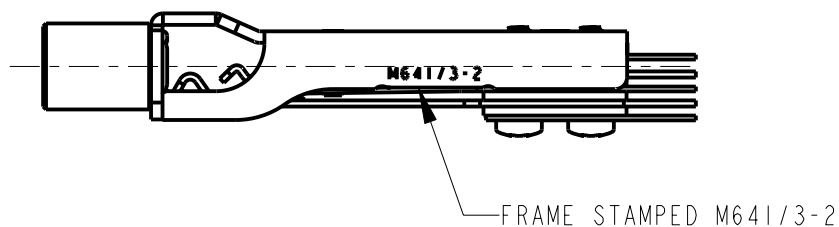


NOTES:

1. MATES WITH PJ-051 PLUG

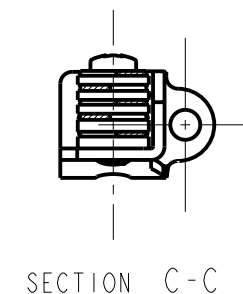


SCALE 1:1



MATERIALS:

- FRAME - STEEL IRIDESCENT IRIDITE FINISH
- BUSHING - BRASS, NICKEL PLATED
- SPRINGS - NICKEL SILVER, SPRING TEMPERED
- CONTACTS - WELDED CROSS BAR, PALLADIUM
- SPACERS - PHENOLIC, TYPE PBE-P
- LIFTER/SPACER - THERMOPLASTIC
- TERMINALS - HOT TIN DIPPED
- SCREWS - STEEL, IRIDESCENT IRIDITE FINISH



CUSTOMER DRAWING

| | | | | | | | | | | |
|-----------|------------|------|----|------|---|--|----------------|---------------|----------------|--------|
| | | | | | ★ STAR SYMBOL DENOTES CRITICAL DIMENSION | THIS DRAWING DESCRIBES A DESIGN CONSIDERED PROPRIETARY IN NATURE, DEVELOPED AND MANUFACTURED BY SWITCHCRAFT INC. AND IS RELEASED ON A CONFIDENTIAL BASIS FOR IDENTIFICATION PURPOSES ONLY. | | | | |
| | | | | | UNLESS OTHERWISE SPECIFIED | SIZE | WIDTH | MULT | LBS/M | TEMPER |
| | | | | | 1. ALL DIMENSIONS IN INCHES - TWO PLACE DECIMALS ±0.01 - THREE PLACE DECIMALS ±0.005 - ANGLES ± - ALL DIA. CONCENTRIC WITHIN 0.005 T.I.R. | FINISH | | MATERIAL | | |
| | | | | | 2. FEATURES ON THE SAME CENTERLINE MUST BE ALIGNED WITHIN ±0.002 | SPEC No. | | SPEC No. | | |
| | | | | | 3. REMOVE ALL BURRS | FIRST USED ON | | SCALE | | |
| | | | | | | 1:1 | | Switchcraft® | | |
| REV | ECO NUMBER | DATE | BY | APVD | DATE DRAWN | BY | CHKD | APVD | SHEET OF | |
| | | | | | 7-15-52 | LD | LH 7-15-52 | EB 9-14-99 | PART No. REV | |
| REVISIONS | | | | | DO NOT SCALE DRAWING | | TELEPHONE JACK | | MT334B E | |