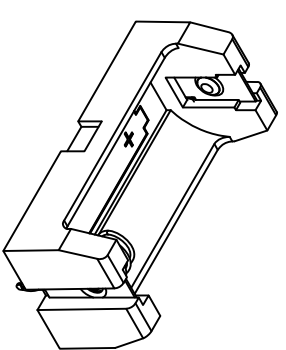
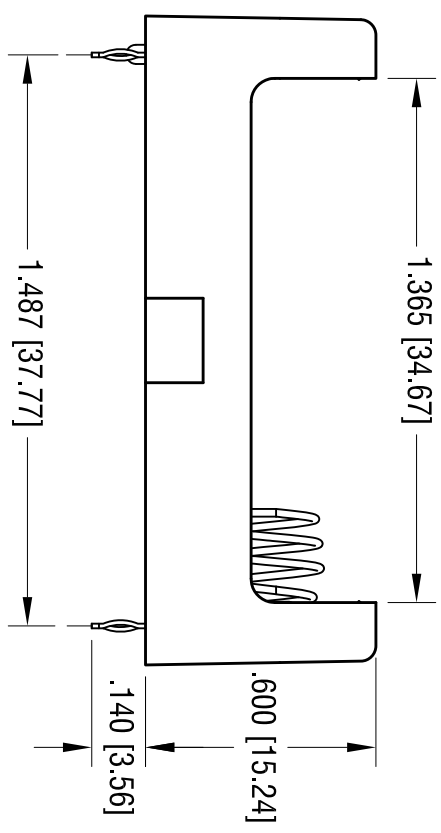
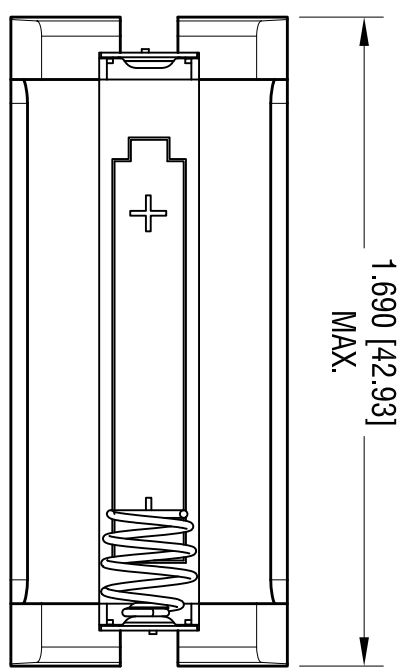
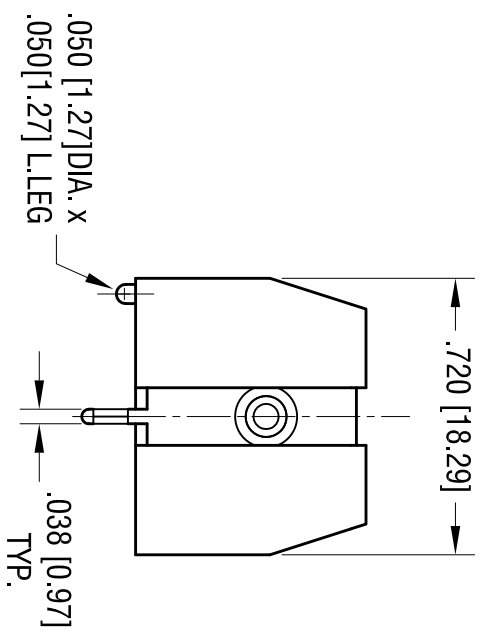
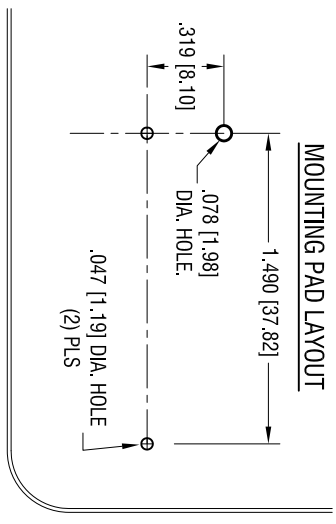


MOUNTING PAD LAYOUT



ACTUAL SIZE

- NOTE:**
1. BASE:
MAT'L: HEAT RESISTANCE NYLON
STANYL 46 OR EQUIVALENT
 2. CONTACT:
MAT'L: .012 [0.30] THK STAINLESS STEEL
FINISH: TIN NICKEL PLATE.

| DATE | DESCRIPTION | REV. |
|------|-------------|------|
| | | |

| | | | |
|---|-------------|--------------|----------------|
| KEYSTONE ELECTRONICS CORP. | | | |
| www.keystec.com • ASTORIA, N.Y. 11105-2017 • Tel (718) 956-8900 | | | |
| PART NAME | | | |
| THM BATTERY HOLDER, CR123A | | | |
| MATERIAL | | | |
| AS NOTED | | | |
| FINISH | | | |
| AS NOTED | | | |
| TOLERANCES | INCH | [MM] | CODE |
| DECIMAL | ± .010 | [± 0.25] | C |
| ANGULAR | ± 1° | | |
| UNLESS OTHERWISE SPECIFIED | | | |
| DRN BY | DATE | SCALE | DWG NO. |
| NT | 10.31.14 | 2X | 1129 |

THIS DOCUMENT IS THE PROPERTY OF KEYSTONE ELECTRONICS CORP. AND SHALL NOT BE REPRODUCED, DISTRIBUTED OR USED AS A BASIS FOR MANUFACTURE WITHOUT PRIOR WRITTEN PERMISSION FROM KEYSTONE ELECTRONICS CORP.