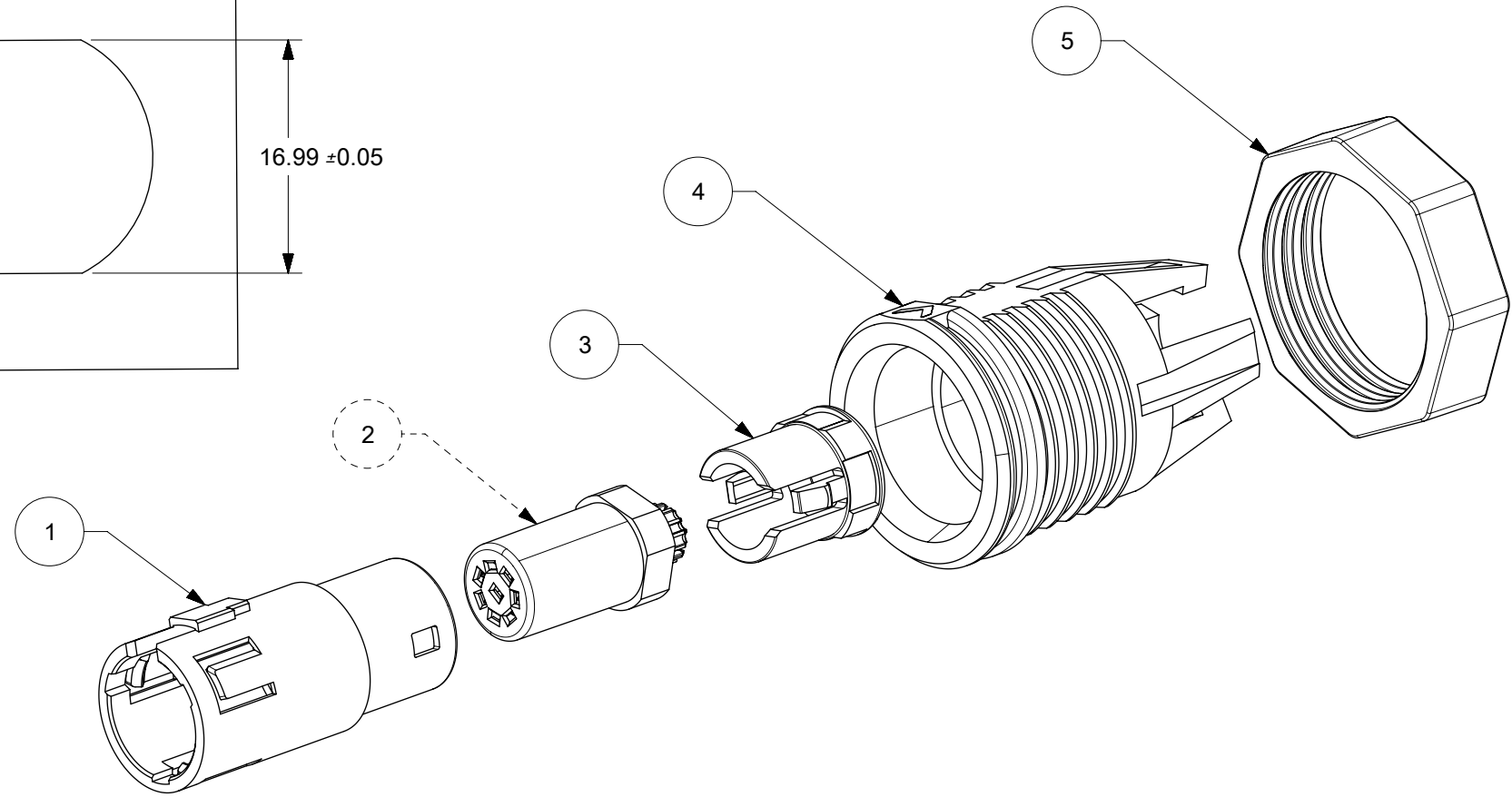
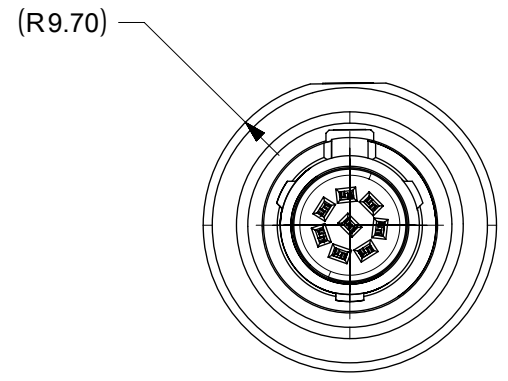
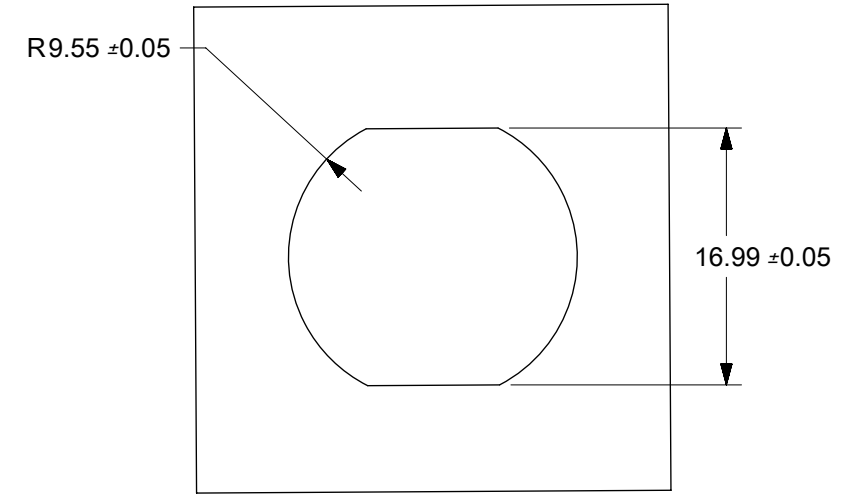
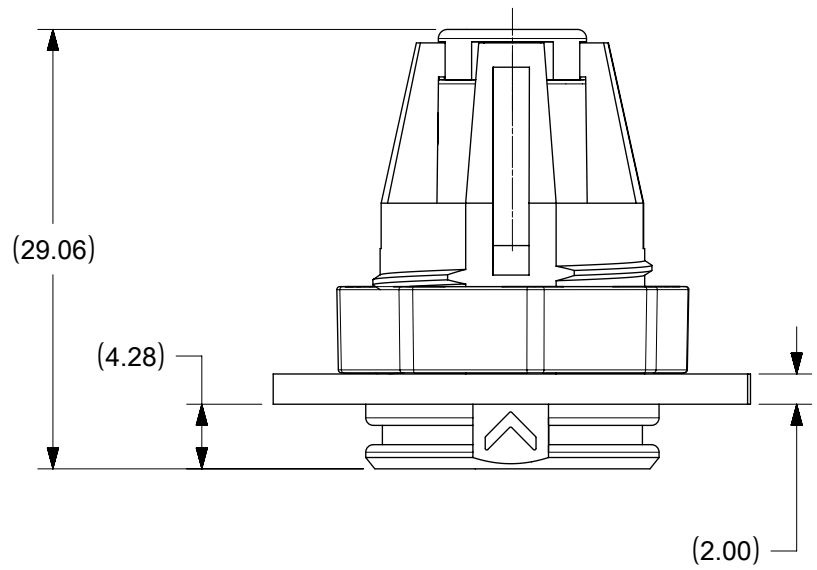


ITEM NUMBER	P/N	DESCRIPTION	QTY	SPQ
1	1728551301	MPC D1 FEMALE PANEL MOUNT HOUSING	1	10
2	1728542000	MPC D1 FEMALE RETAINER 8CKT	1	10
3	1728561000	MPC D1 FEMALE LOCK HOUSING	1	10
4	1728591101	MPC D1 PANEL SNAP HOUSING	1	10
5	1728591000	MPC D1 FEMALE PANEL NUT	1	10



NOTES:

1. KIT TO BE PACKAGED PER SPEC PK-70873-3345
2. MATERIAL, MEDICAL GRADE PPSU; COLOR, BLACK  
HIGH PERFORMANCE COPPER ALLOY WITHY GOLD PLATING IN MATING ZONE.
3. MATES WITH KIT P/N 172870-08\*0 OR 173250-08\*0.
4. FOR ASSEMBLY INFORMATION AND SPEC SEE APPLICATION SPEC AS-202110-0000.
5. FOR FURTHER PRODUCT INFORMATION SEE PRODUCT SPEC PS-202110-0000

THIS DRAWING CONTAINS INFORMATION THAT IS PROPRIETARY TO MOLEX ELECTRONIC TECHNOLOGIES, LLC AND SHOULD NOT BE USED WITHOUT WRITTEN PERMISSION

EC NO: 114244 DRWN: JJONIAK CHKD: APPR: BPISZCZOR	2017/03/07	GENERAL TOLERANCES (UNLESS SPECIFIED)	DIMENSION UNITS	SCALE				
	2017/03/14		MM	2:1				
			ANGULAR TOL ± °	DRWN BY		DATE		
			4 PLACES ±	JJONIAK		2017/03/07		
		3 PLACES ±	CHK'D BY	DATE	MPC D1 FEMALE PANEL ASSY 8 CKT KIT			
		2 PLACES ±	APPR BY	DATE				
		1 PLACE ±	BPISZCZOR	2017/03/14				
		0 PLACES ±	DRAWING SIZE	THIRD ANGLE PROJECTION				
		DRAFT WHERE APPLICABLE MUST REMAIN WITHIN DIMENSIONS	B		PRODUCT CUSTOMER DRAWING			
					SERIES	MATERIAL NUMBER	CUSTOMER	
					172860	1728600810	GENERAL MARKET	
					DOCUMENT NUMBER	DOC TYPE	DOC PART	SHEET NUMBER
					1728600810-SD	PSD	000	1 OF 1

RELEASE STATUS	P1	RELEASE DATE	14.03.2017	16:40:56
----------------	----	--------------	------------	----------