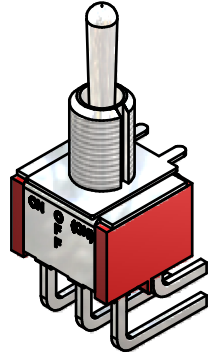
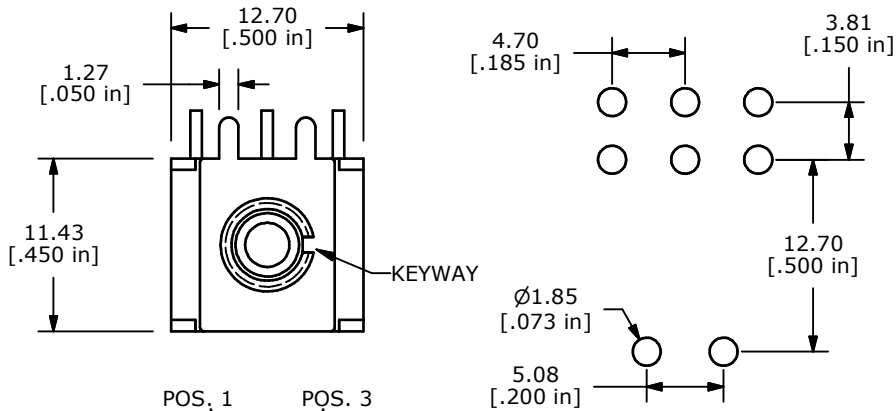


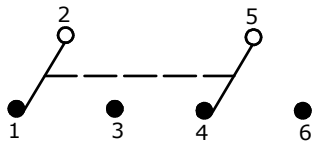
PANEL



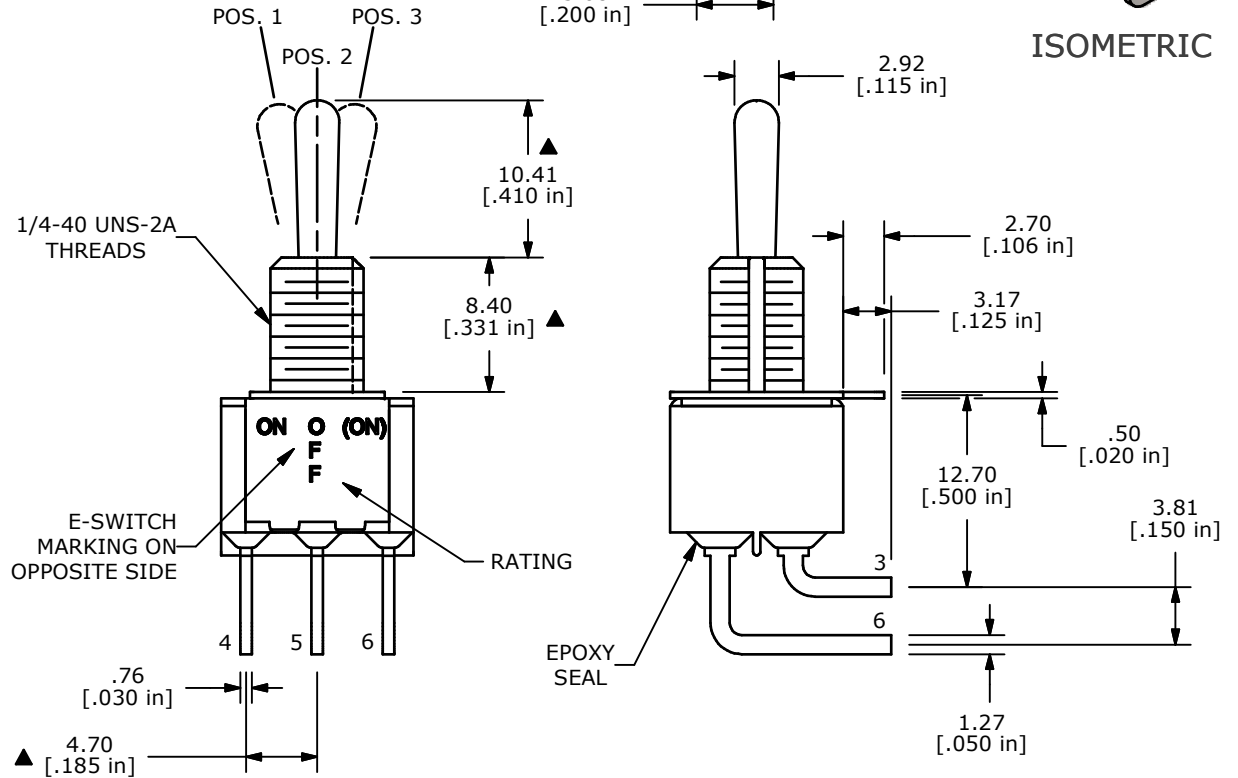
ISOMETRIC

SWITCH FUNCTION		
POS. 1	POS. 2	POS. 3
ON	OFF	(ON)
2-3, 5-6	OPEN	2-1, 5-4

(ON) = MOMENTARY



CIRCUIT: DPDT



- NOTE:
- ALL DIMENSIONS IN MM [INCH]
  - GENERAL TOLERANCE: X.X=±0.4  
X.XX=±0.25
  - TERMINAL NUMBERS FOR REF ONLY
  - PLATING MATERIAL: GOLD
  - RATING: 0.4 VOLT-AMPS (VA) MAX. @20V max. AC or DC
  - CONTACT RESISTANCE: 10 Milli-Ohms max.
  - LIFE EXPECTANCY: 40,000 make-and-break cycles at full load.
  - INSULATION RESISTANCE: 1,000 Mega-Ohms min.
  - DIELECTRIC STRENGTH: 1,000 V RMS @sea level.
  - OPERATING TEMP.: -30°C to 85°C
  - ▲ DENOTES CRITICAL PARAMETER.
  - 2002/95/EC (ROHS) COMPLIANT
  - HARDWARE TO BE SHIPPED BULK
- T100000 - HEXNUT - QTY 2  
T100011 - LOCKWASHER - QTY 1  
T100015 - LOCKRING - QTY 1

A	18627	RELEASED FOR PRODUCTION	9/9/09	BLR
REV	PCR NO	DESCRIPTION	DATE	BY

TITLE 100DP5T1B1M6REH				
SCALE	DATE	DR	DWG	REV
2:1	9/9/2009	BLR	ST125015	A

THE INFORMATION CONTAINED IN THIS DOCUMENT IS PROPRIETARY TO E-SWITCH AND IS NOT TO BE COPIED OR TRANSFERRED