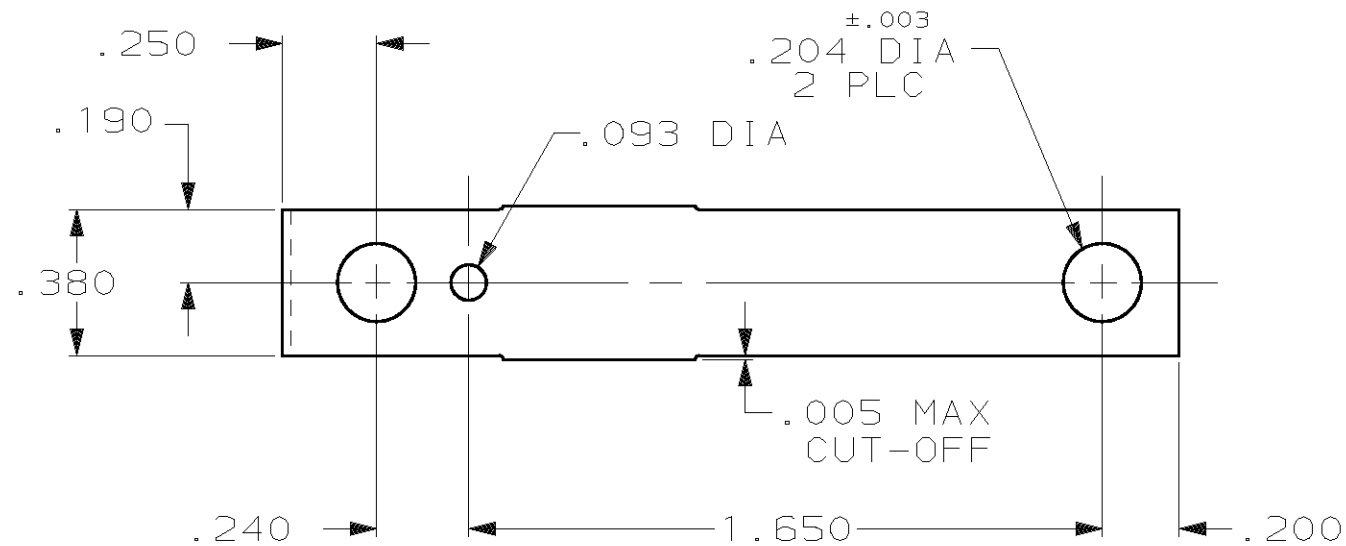


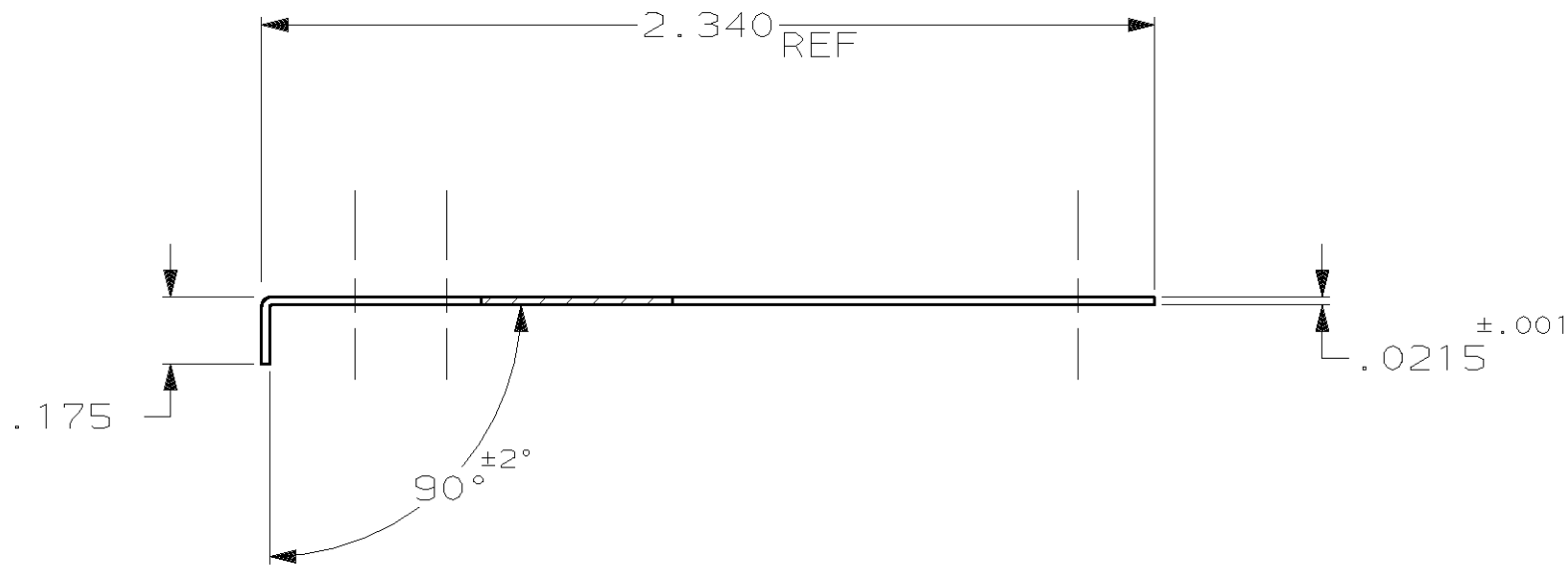
THIS DRAWING IS UNPUBLISHED. RELEASED FOR PUBLICATION  
 © COPYRIGHT 19 BY AMP INCORPORATED, HARRISBURG, PA. ALL INTERNATIONAL RIGHTS RESERVED. AMP PRODUCTS MAY BE COVERED BY U.S. AND FOREIGN PATENTS AND/OR PATENTS PENDING.

LOC AF DIST 50 P F

REVISIONS				
ZONE	LTR	DESCRIPTION	DATE	APPROVED
	E	REVISED PER 0L10-0240-97	02/JUN/97	PF/JP



1 SUPPLIED IN LOOSE PIECE.



63450-1  
PART NO

UNLESS OTHERWISE SPECIFIED DIMENSIONS ARE IN INCHES TOLERANCES ON: 2 PL DEC ± - 3 PL DEC ± .015 ANGLES ± -	DR JR RUTH 2/10/87
	CHK G YETTER 2/11/87
	APPD R FRANTZ 2/11/87
MATERIAL COPPER ANNEALED	APPD TL SHUTTER 2/11/87
FINISH PRE-TIN	PRODUCT SPEC - APPLICATION SPEC - WEIGHT -

AMP INCORPORATED Harrisburg, Pa. 17105		NAME	
		GROUNDING STRAP	
SIZE <b>B</b>	FSCM NO 00779	DRAWING NO 63450	
SCALE NTS	SHEET 1 OF 1		