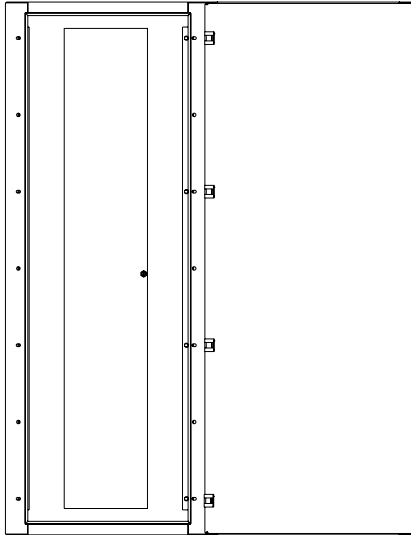


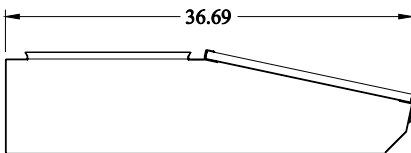


**PART No. 2CSD84836**

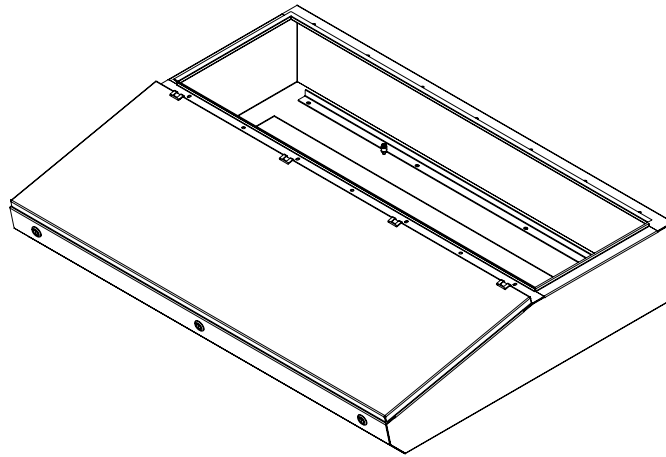
for more information visit  
[www.hammfg.com](http://www.hammfg.com)  
Data subject to change without notice  
Isometric drawing Not to Scale



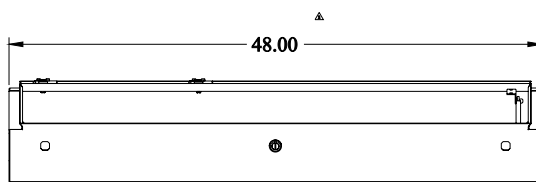
TOP VIEW



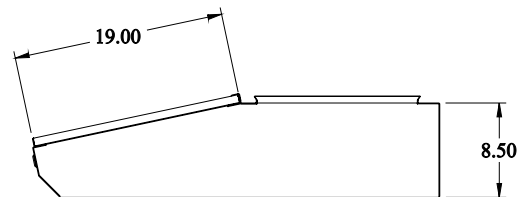
LEFT SIDE VIEW



ISOMETRIC VIEW



FRONT VIEW



RIGHT SIDE VIEW