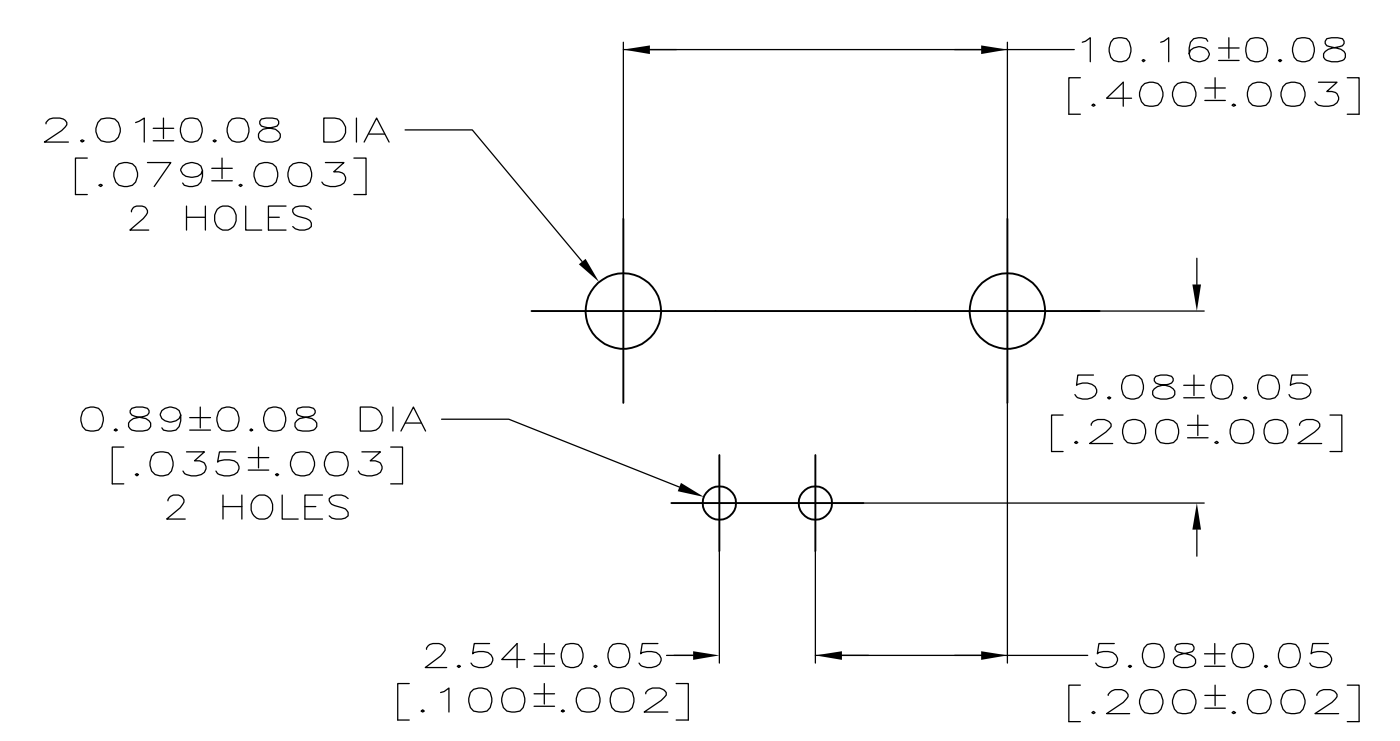
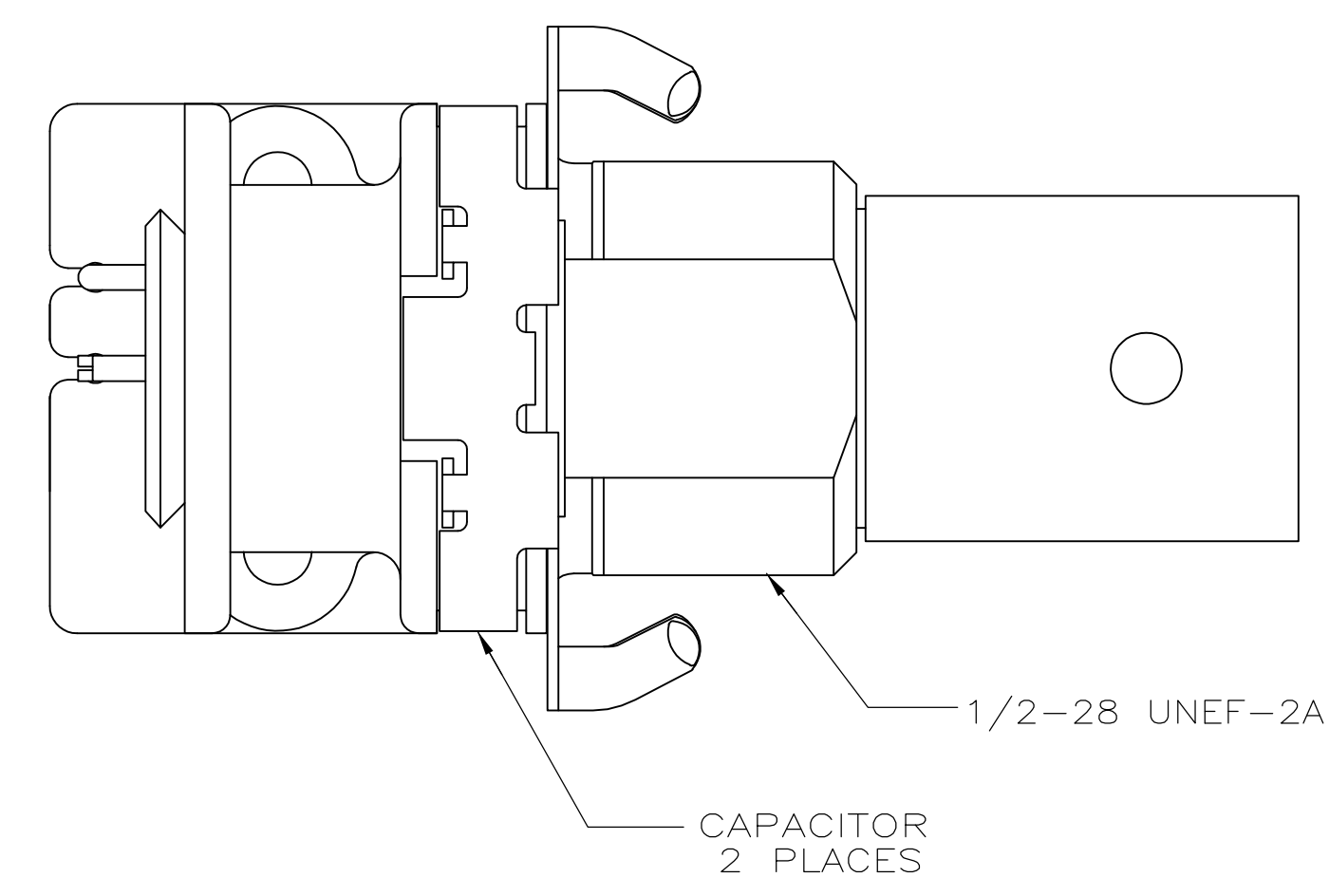


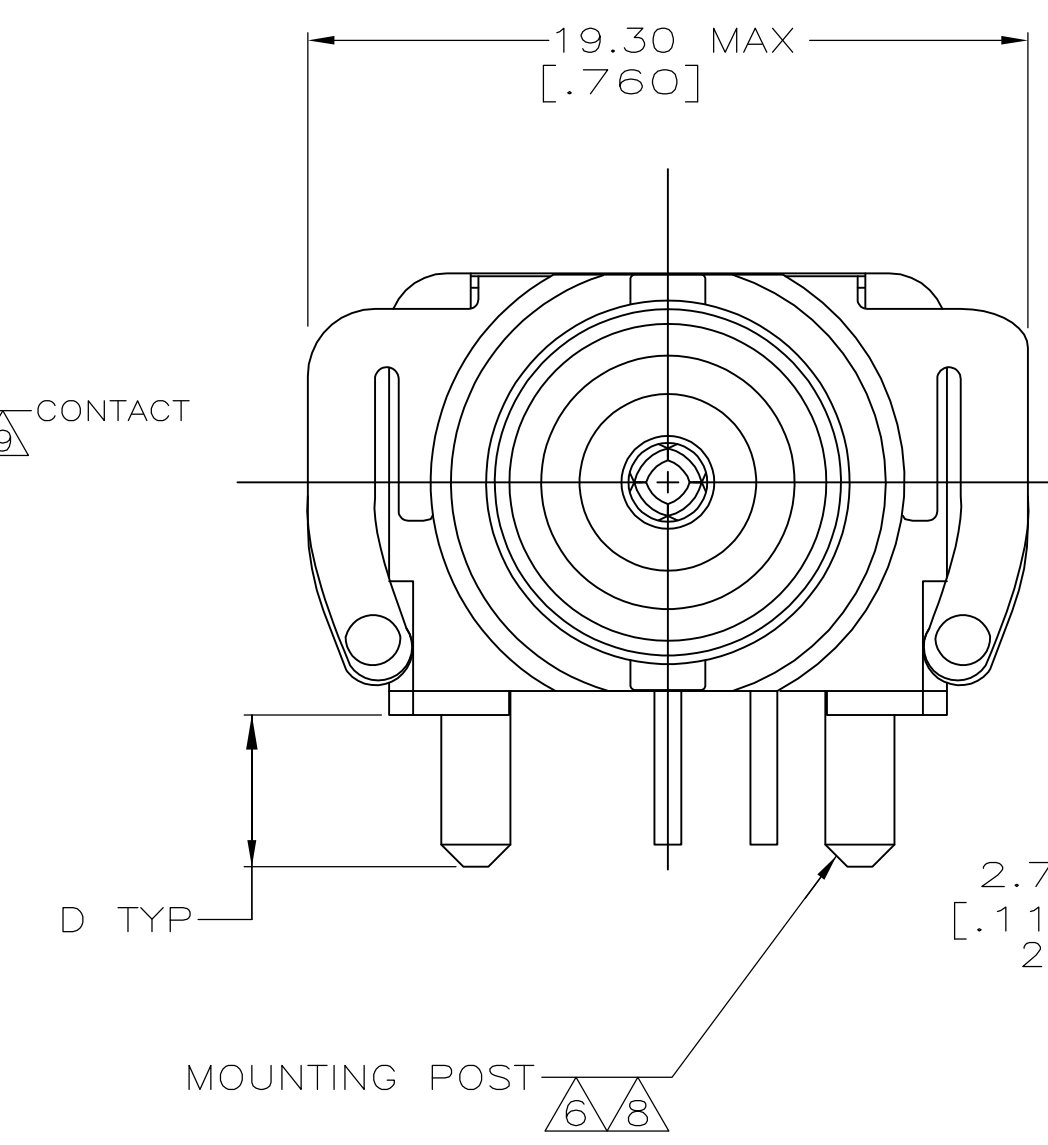
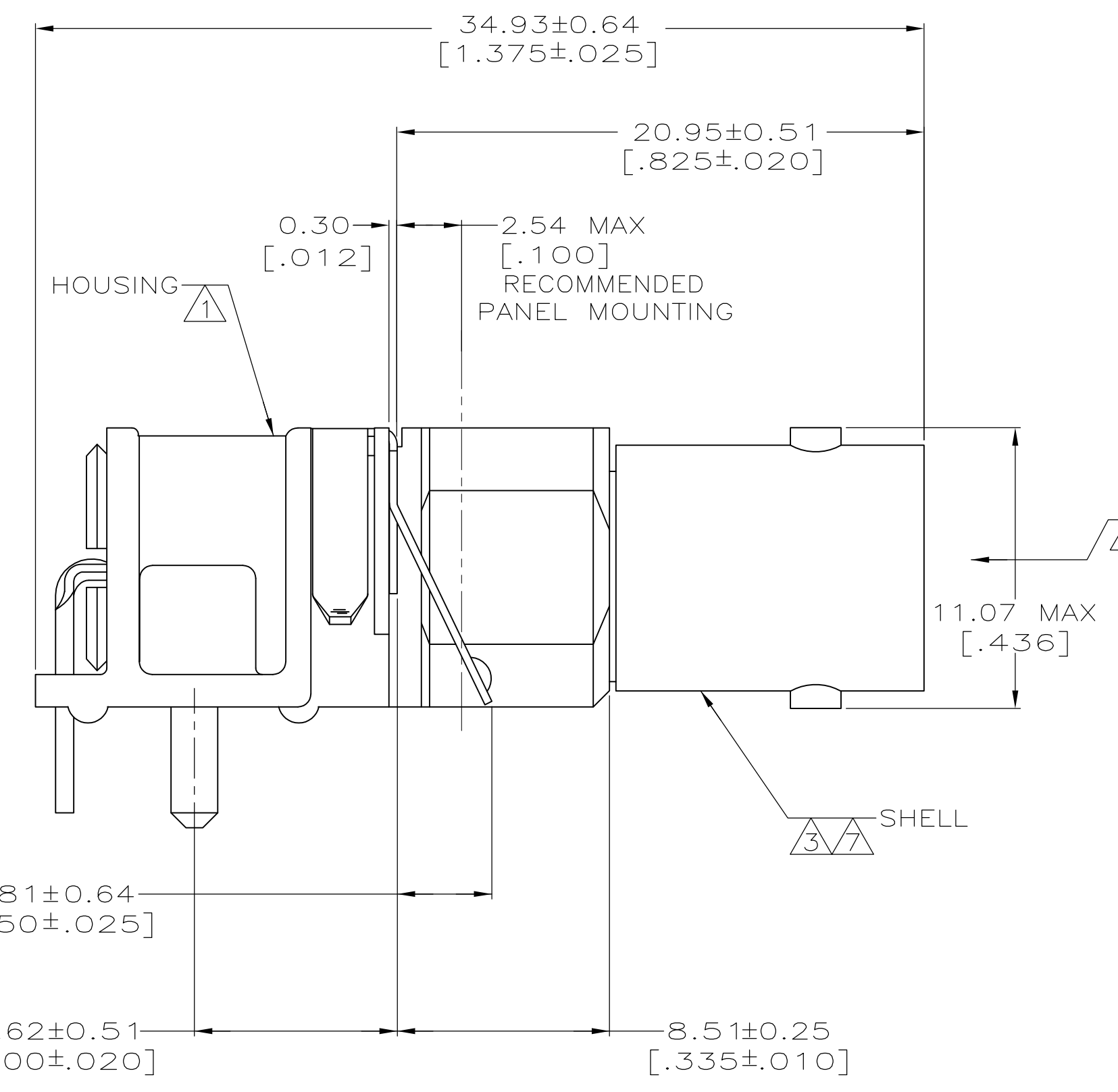
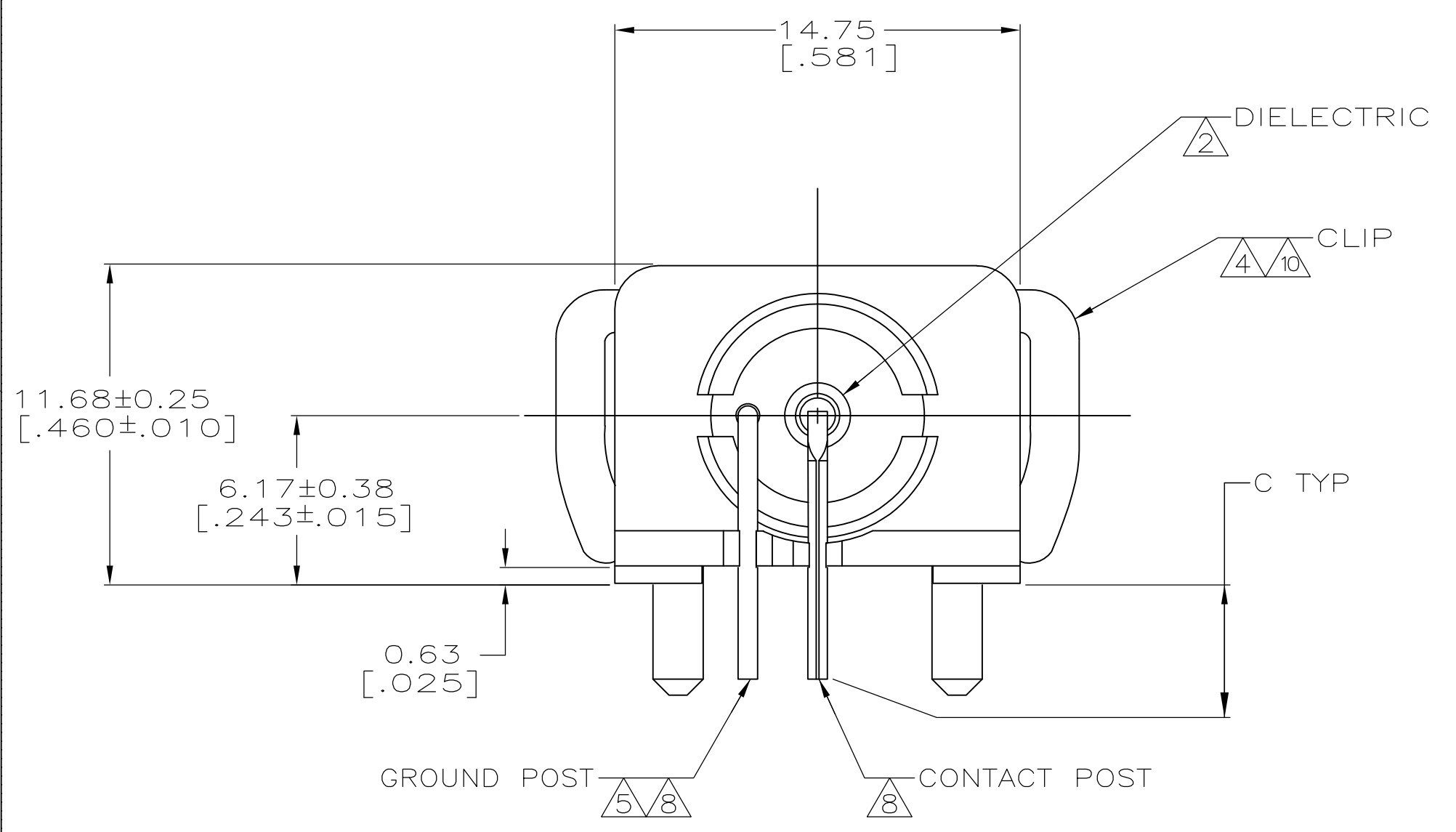
LOC		DIST		REVISIONS			
F	LTR	DESCRIPTION	DATE	DWN	APVD		
F		REV PER ECO 08-009474	7/22/2008	DW	JL		
F1		REVISED PER ECO-09-021826	04SEP09	KK	AEG		



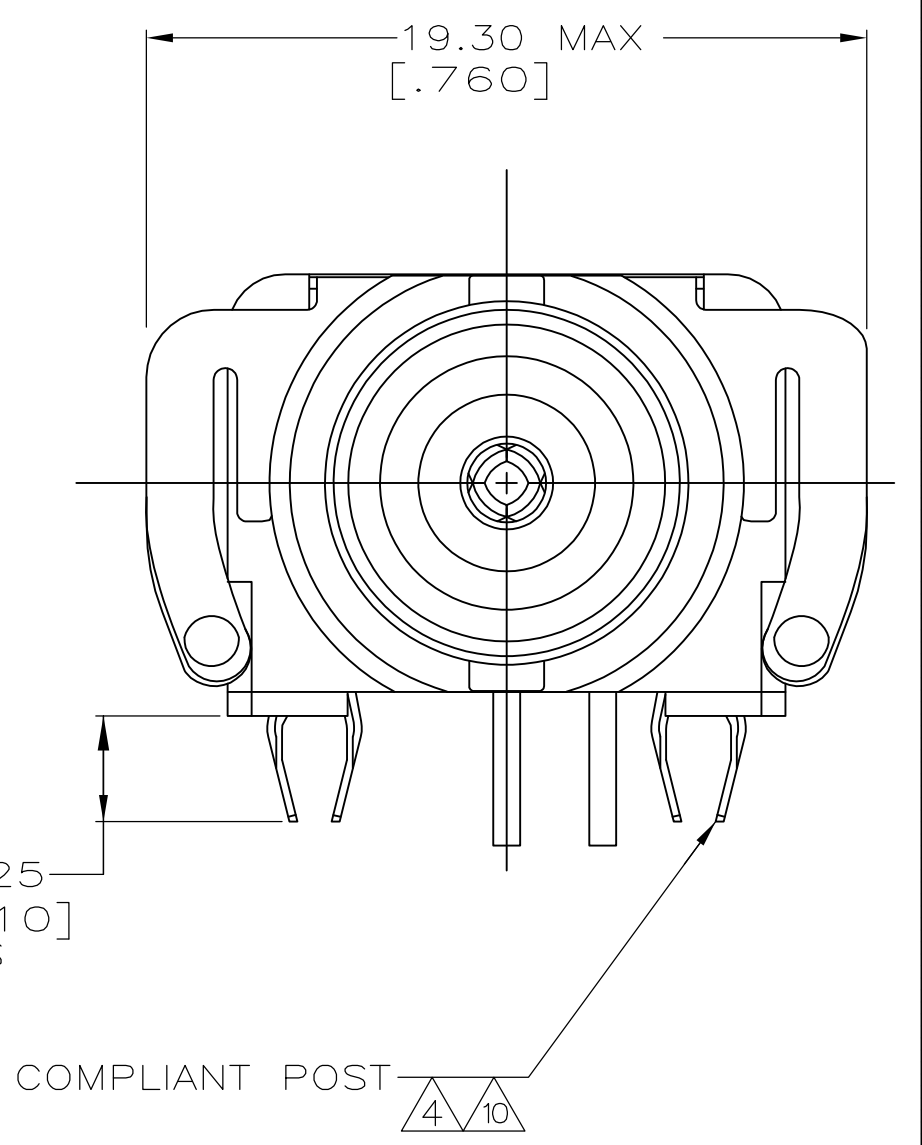
PCB CONFIGURATION



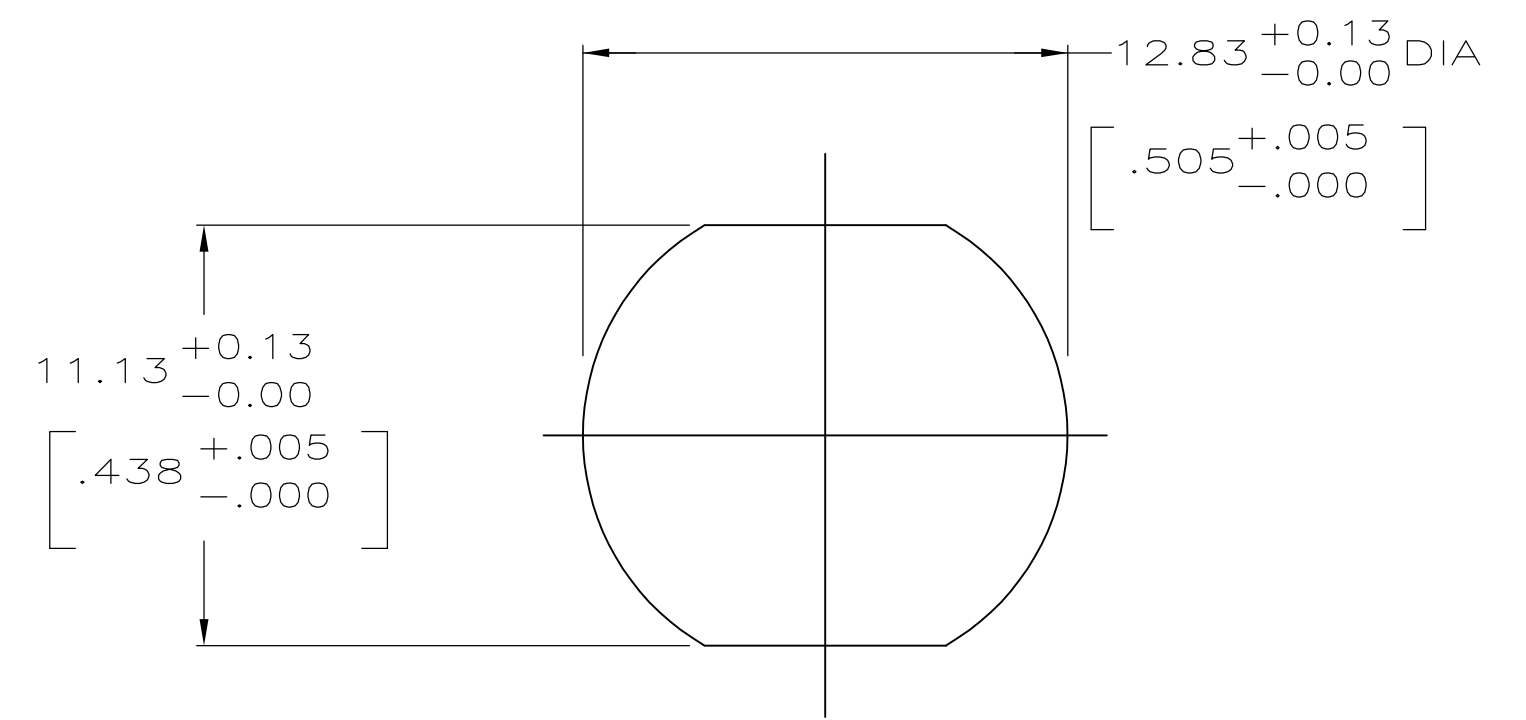
- 1 POLYESTER PBT PER MIL-M-24519, TYPE GPT-15F, UL94V-0 RATED, COLOR:BLACK
- 2 POLYMETHYLPENTENE, GENERAL PURPOSE.
- 3 ZINC PER QQ-Z-363.
- 4 PHOSPHOR BRONZE PER QQ-B-750.
- 5 BRASS PER ASTM-B-453.
- 6 BRASS PER ASTM-B-16.
- 7 NICKEL PLATE PER QQ-N-290, 3.81 μm [0.000150] MINIMUM THICK.
- 8 TIN PLATE PER ASTM-B-545, 3.81 μm [0.000150] MINIMUM THICK.
- 9 GOLD PLATE PER MIL-G-45204, 0.08 μm [0.000003] MINIMUM THICK.
- 10 NICKEL PLATE PER QQ-N-290.
- 11. SEE INSTRUCTION SHEET 2769.
- 12. CAPACITANCE: 9400 pf  
VOLTAGE: 1500 VDC
- 13 OBSOLETE PARTS: OBSOLETE CIS STREAMLINING PER D.RENAUD/D.SINISI



VIEW A



VIEW B



RECOMMENDED PANEL CUTOUT

13 OBSOLETE  
 SUPERSEDED BY 5415103-2

	2.03±0.13 [0.080±0.005]	2.79±0.25 [0.110±0.010]	A	415103-3
	-	3.43±0.38 [0.135±0.015]	B	415103-2
	4.01±0.25 [0.158±0.010]	3.43±0.38 [0.135±0.015]	A	415103-1
D		C	VIEW	PART NUMBER

THIS DRAWING IS A CONTROLLED DOCUMENT.		DIN J. LIPPERT 8-7-95	Tyco Electronics Corporation Harrisburg, PA 17105-3608	
DIMENSIONS: INCHES		CHK M. TOMCHAK 8-7-95	NAME	
TOLERANCES UNLESS OTHERWISE SPECIFIED:		APVD M. TOMCHANK 8-7-95	PRODUCT SPEC	
0 PLC ± -	1 PLC ± -	APPLICATION SPEC		
2 PLC ± 0.20 [0.008]	3 PLC ± -	SIZE CAGE CODE DRAWING NO		
4 PLC ± -	ANGLES ± -	RESTRICTED TO		
MATERIAL SEE NOTES 1 - 6	FINISH SEE NOTES 7 - 10	WEIGHT	A1 00779 C=415103	SCALE 5:1 SHEET 1 OF 1 REV F1
CUSTOMER DRAWING				