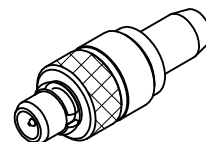
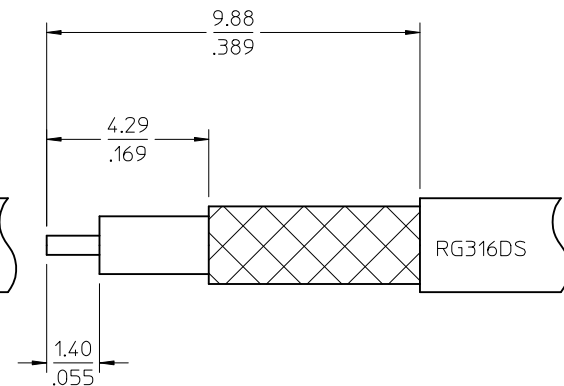
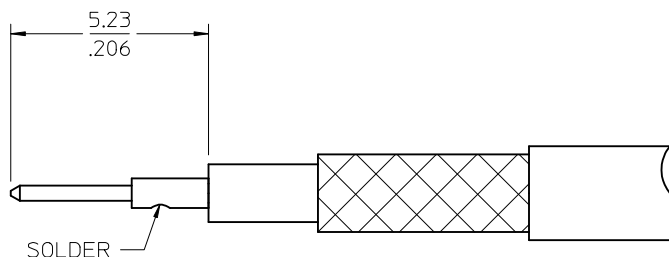
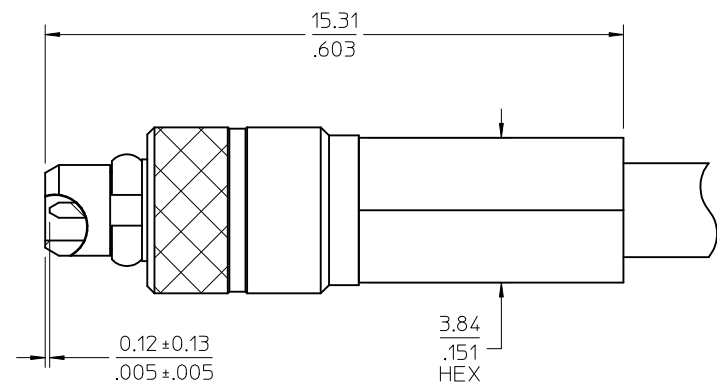
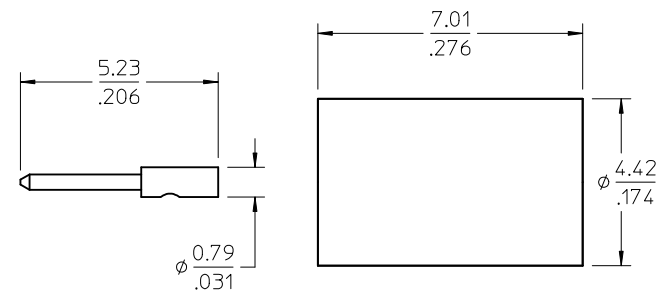
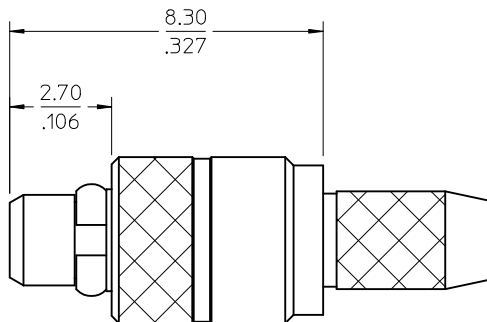
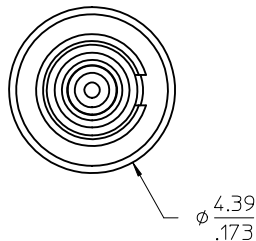


MATERIALS AND FINISHES

BODY, CONTACT, CRIMP TUBE: BRASS
PLATED GOLD

RING: BERYLLIUM COPPER
PLATED GOLD

INSULATOR: TEFLON



73415-2132	COMMERCIAL REQS	1 PIECE 73415-2131 IN SINGLE BAG WITH LABEL
73415-2131	COMMERCIAL REQS	STANDARD
73415-2130	PER MILITARY REQS	STANDARD
PART NO.	FINISH	PACKAGING

PS-89675-1920	PRODUCT SPECIFICATION
CECC-22-340	INTERFACE
SPECIFICATION	DESCRIPTION

CHG: REDREW IN SD. ADDED -2312 FOR SINGLE BAG OPTION. ADDED CABLE ASSY INSTRUCTIONS. EC NO: URF2011-0576 DRWN: AROBERTSON 2011/04/04 CHKD: SSS 2011/04/04 APPR: JWIENER 2011/04/15	QUALITY SYMBOLS ▽=0 ▽=0	GENERAL TOLERANCES (UNLESS SPECIFIED) DIMENSION STYLE MM/IN	SCALE DESIGN UNITS METRIC	THIRD ANGLE PROJECTION
	4 PLACES ± --- ± --- 3 PLACES ± --- ± --- 2 PLACES ± --- ± --- 1 PLACE ± --- ± --- ANGULAR ± 2 °	DRAWN BY DATE AROBERTSON 2011/04/04 CHECKED BY DATE SSS 2011/04/04 APPROVED BY DATE JWIENER 2011/04/15	TITLE MMCX PLUG STRAIGHT RD316 50 OHM MMCX-PC	MOLEX INCORPORATED

DRAFT WHERE APPLICABLE MUST REMAIN WITHIN DIMENSIONS	SEE TABLE	DOCUMENT NO. SD-73415-213
THIS DRAWING CONTAINS INFORMATION THAT IS PROPRIETARY TO MOLEX INCORPORATED AND SHOULD NOT BE USED WITHOUT WRITTEN PERMISSION		