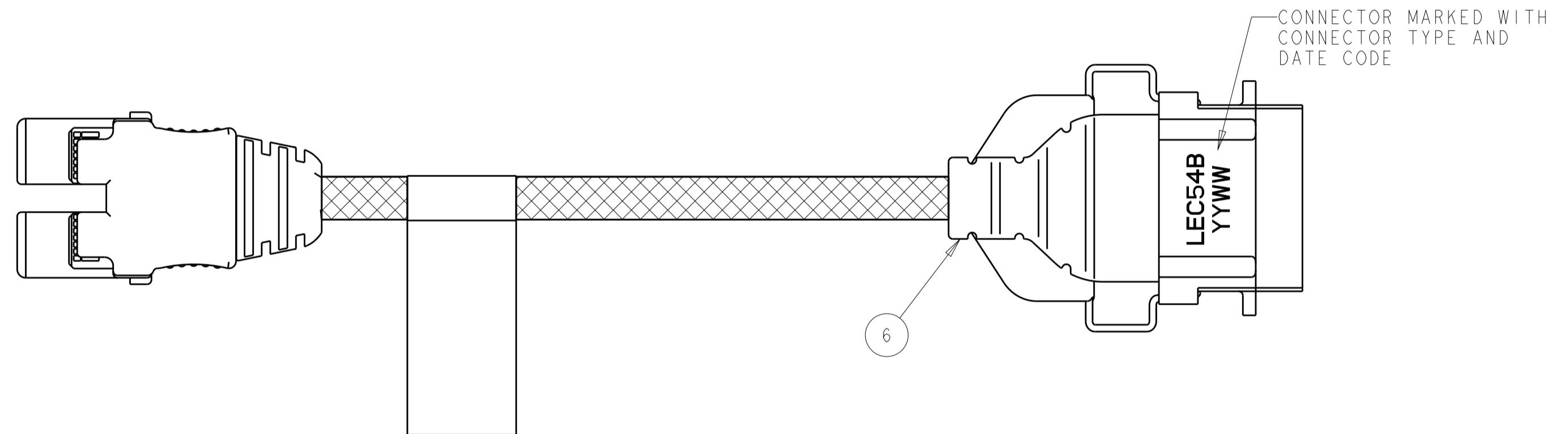
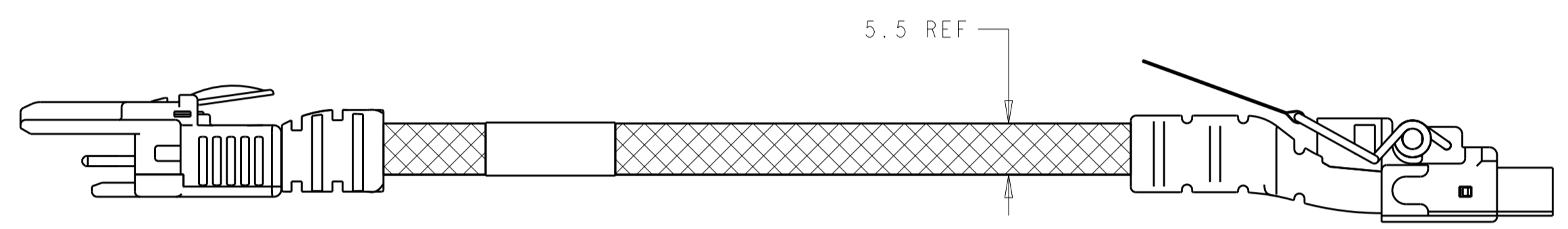
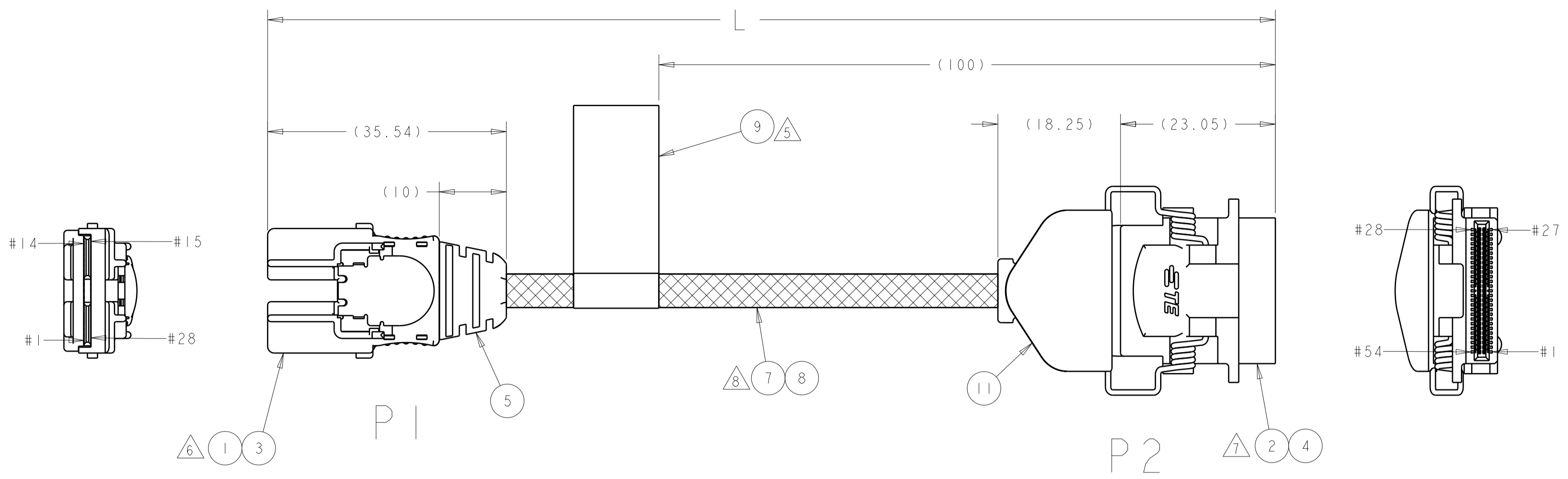
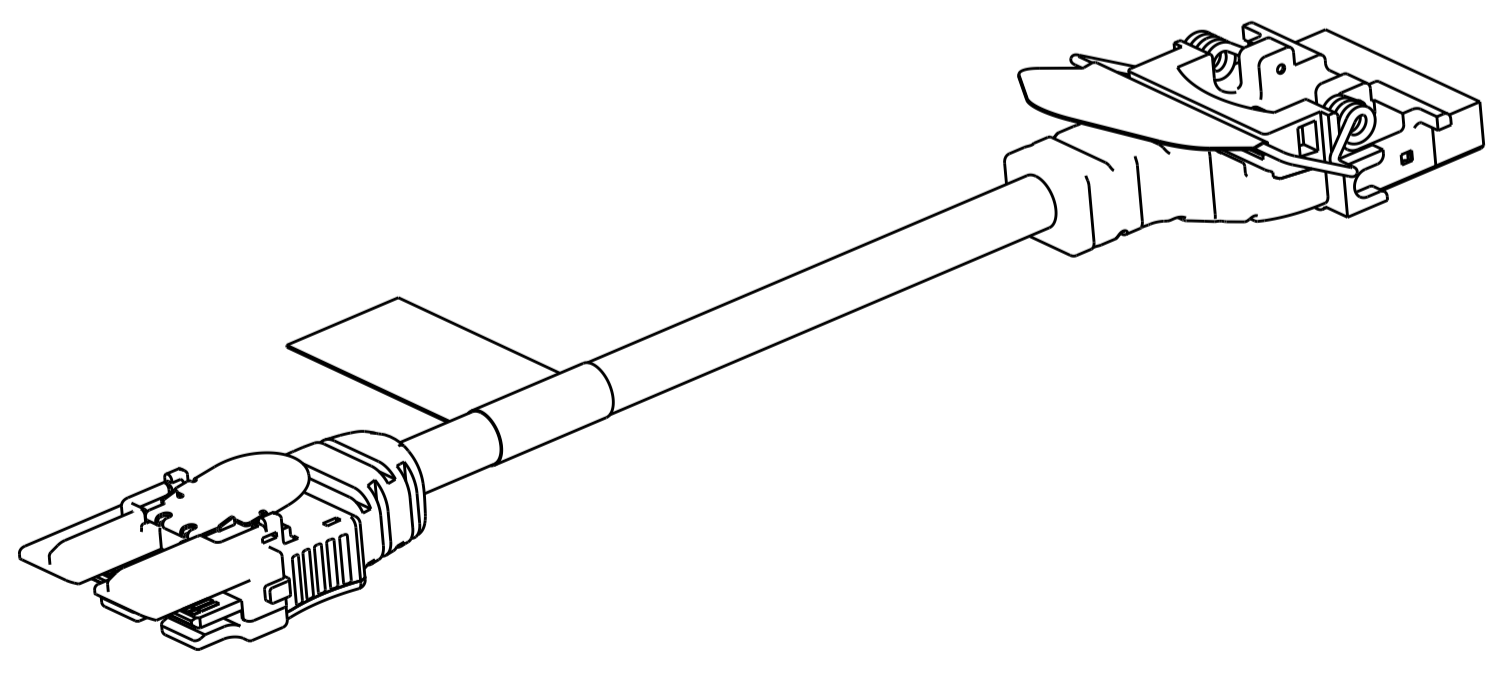


REVISIONS				
P	LTN	DESCRIPTION	DATE	OWN APVD
A		RELEASED PER ECO-17-004604	04MAR2017	CP GL



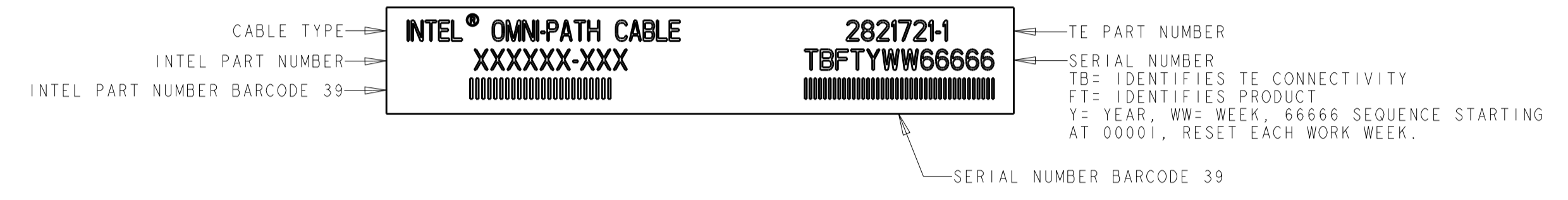
2821721-1

CABLE PINOUT			
PAIR	PIN NAME	P1	P2
GROUND BUS	-	1	1
1	HF10_RX_DN(1)	2	2
	HF10_RX_DP(1)	3	3
	GROUND BUS	4	4
GROUND BUS	-	28	4
2	HF10_RX_DN(2)	27	5
	HF10_RX_DP(2)	26	6
	GROUND BUS	25	7
3	HF10_RX_DN(3)	5	8
	HF10_RX_DP(3)	6	9
	GROUND BUS	25	10
4	HF10_RX_DN(4)	24	11
	HF10_RX_DP(4)	23	12
	GROUND BUS	22	13
GROUND BUS	-	7	14
GROUND BUS	-	8	15
5	HF10_TX_DP(4)	9	16
	HF10_TX_DN(4)	10	17
	GROUND BUS	21	18
6	HF10_TX_DP(3)	20	19
	HF10_TX_DN(3)	19	20
	GROUND BUS	11	21
7	HF10_TX_DP(2)	12	22
	HF10_TX_DN(2)	13	23
	GROUND BUS	14	24
GROUND BUS	-	18	24
8	HF10_TX_DP(1)	17	25
	HF10_TX_DN(1)	16	26
	GROUND BUS	15	27



- THIS ASSEMBLY CONFORMS TO INTEL PART NO. (SEE TABLE).
- EACH ASSEMBLY TESTED FOR OPENS, SHORTS AND SIGNAL INTEGRITY.
- ROHS AND REACH COMPLIANCE: PRODUCT AND PROCESSING MEETS THE REQUIREMENTS OF TE SPECIFICATION TEC-138-702.
- EACH ASSEMBLY PACKAGED IN AN ANTISTATIC BAG.

△ LABEL INFORMATION (ITEM 9): 2821721-1

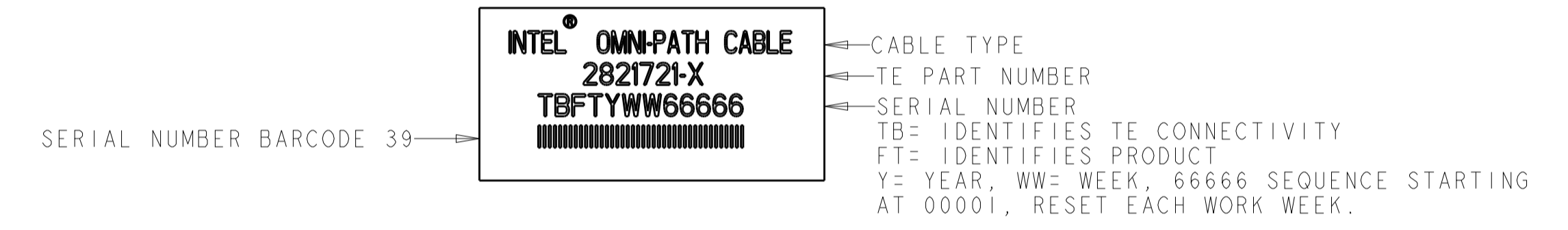


△ FINISH (CONTACT PADS): 30µIN MINIMUM GOLD PER TE SPEC 112-162-1 OVER 100µIN MINIMUM NICKEL PER TE SPEC 112-25-2.

△ FINISH: 50µIN MINIMUM GOLD PER TE SPEC 112-162-5, IN LOCALIZED GOLD PLATE AREA, OVER 50µIN MINIMUM NICKEL PER TE SPEC 112-25-2 ON ENTIRE STOCK.

△ CABLE PART #: 023B2LF023  
 CABLE SPEC: 104-1587

△ LABEL INFORMATION (ITEM 10): 2821721-2



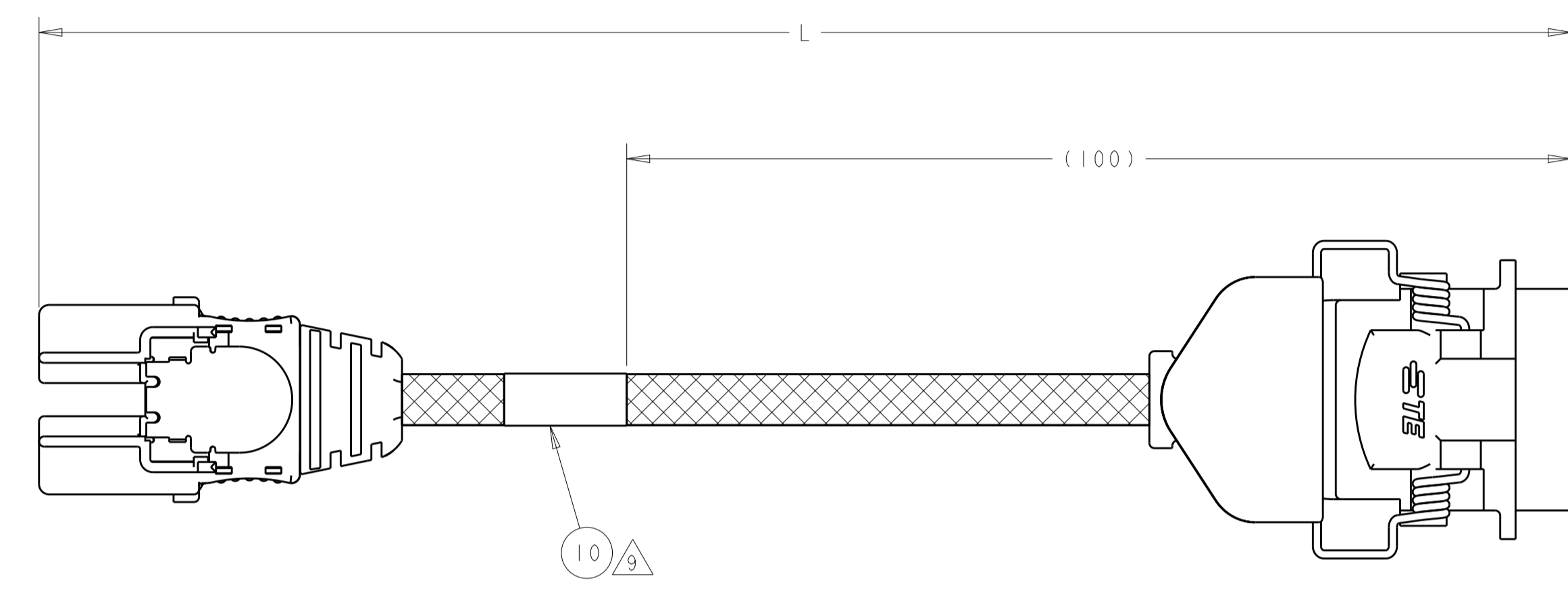
10. CABLE ASSEMBLY BUILT IN ACCORDANCE WITH INTEL DESIGN GUIDE 1.0

△ WRAP (SHEET 2)	320±5	-	2821721-2
△ FLAG (SHEET 1)	150±5	H86172-005	2821721-1
LABEL TYPE	L	INTEL PART NO	TE PART NO

1	1	PULL TAB	11
1	-	LABEL, WRAP	10
-	1	LABEL, FLAG	9
AR	AR	SLEEVING, EXPANDABLE	8
AR	AR	85 OHM TWINAX CABLE, 30AWG 25G TURBO TWIN™ △	7
1	1	OVERMOLDED STRAIN RELIEF, LECB	6
1	1	OVERMOLDED STRAIN RELIEF, IFP	5
1	1	DUST COVER, LECB (NOT SHOWN)	4
1	1	DUST COVER, IFP (NOT SHOWN)	3
1	1	LEC 54B RECPT, 54 POSN	2
1	1	IFP PLUG, 28 POSN	1
-2	-1	DESCRIPTION	ITEM NO

THIS DRAWING IS A CONTROLLED DOCUMENT.		OWN T. SMITH 17 JUL 2016	TE Connectivity	
DIMENSIONS:		CHK C. POGASH 17 JUL 2016	NAME IFP ASSEMBLY, TYPE B, STRAIGHT 1-PORT, NON-INVERTED	
TOLERANCES UNLESS OTHERWISE SPECIFIED:		APVD	PRODUCT SPEC	
mm			APPLICATION SPEC	
0 PLC ±0.5 1 PLC ±0.5 2 PLC ±0.13 3 PLC ±0.013 4 PLC ±0.001 ANGLES ±0.001			SIZE CAGE CODE DRAWING NO A1 - C=2821721	
MATERIAL TBD		FINISH	RESTRICTED TO	
		WEIGHT	SCALE 2:1 SHEET 1 OF 2 REV A	
		CUSTOMER DRAWING		

REVISIONS				
P.	LTN	DESCRIPTION	DATE	APVD
		SEE SHEET 1		



2821721-2  
 WRAP LABEL  
 REQUIREMENT  
 ALL ASSEMBLY REQUIREMENTS  
 SAME AS -1 EXCEPT FOR LABEL

THIS DRAWING IS A CONTROLLED DOCUMENT.		DWN T. SMITH 17 JUL 2016 CHK C. POGASH 17 JUL 2016 APVD -	TE Connectivity	
DIMENSIONS: mm 		TOLERANCES UNLESS OTHERWISE SPECIFIED: 0 PLC ± 1 PLC ±0.5 2 PLC ±0.13 3 PLC ±0.013 4 PLC ±0.001 ANGLES ±		NAME 1FP ASSEMBLY, TYPE B, STRAIGHT I-PORT, NON-INVERTED PRODUCT SPEC - APPLICATION SPEC -
MATERIAL TBD	FINISH -	WEIGHT -	SIZE A1 CAGE CODE - DRAWING NO. C=2821721	RESTRICTED TO -
CUSTOMER DRAWING		SCALE 2:1	SHEET 2 OF 2	REV A