

LOC		DIST		REVISIONS			
P	LTN	DESCRIPTION	DATE	DWN	APVD		
A		NEW RELEASE	09MAR2017	JA	DM		
B		REVISED PER PCN E-17-010843	21MAR2018	JA	DM		

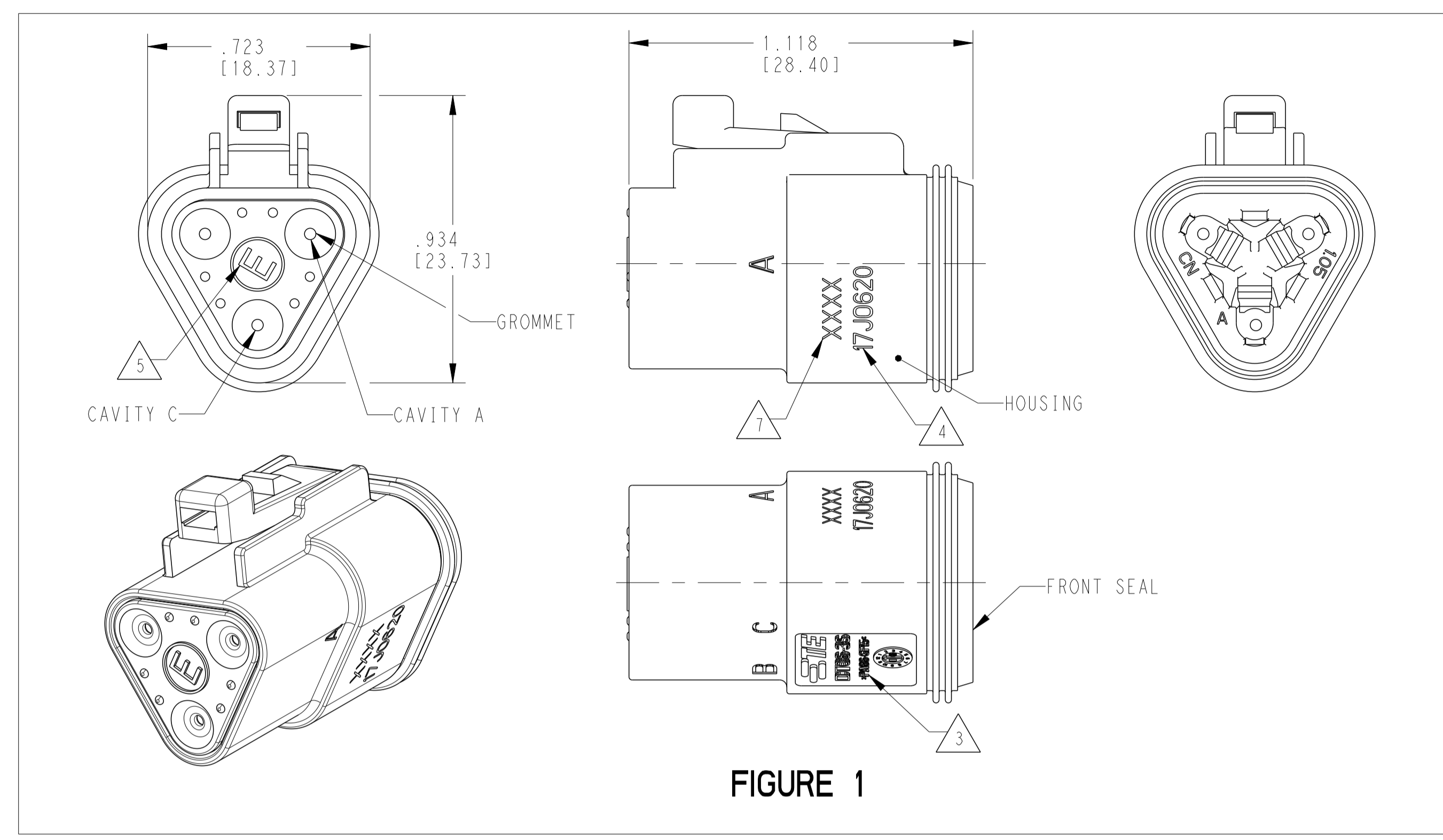


FIGURE 1

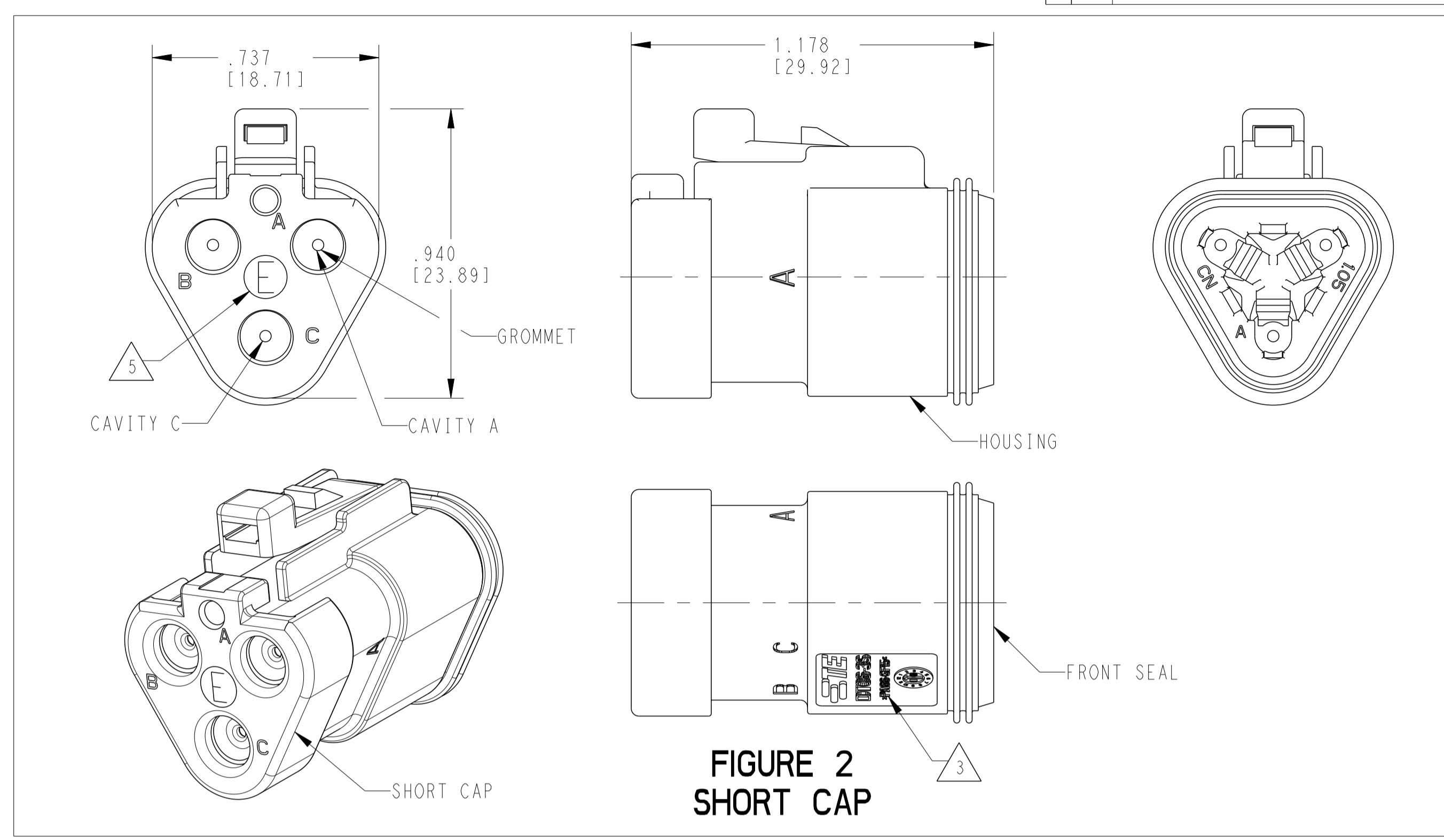


FIGURE 2
SHORT CAP

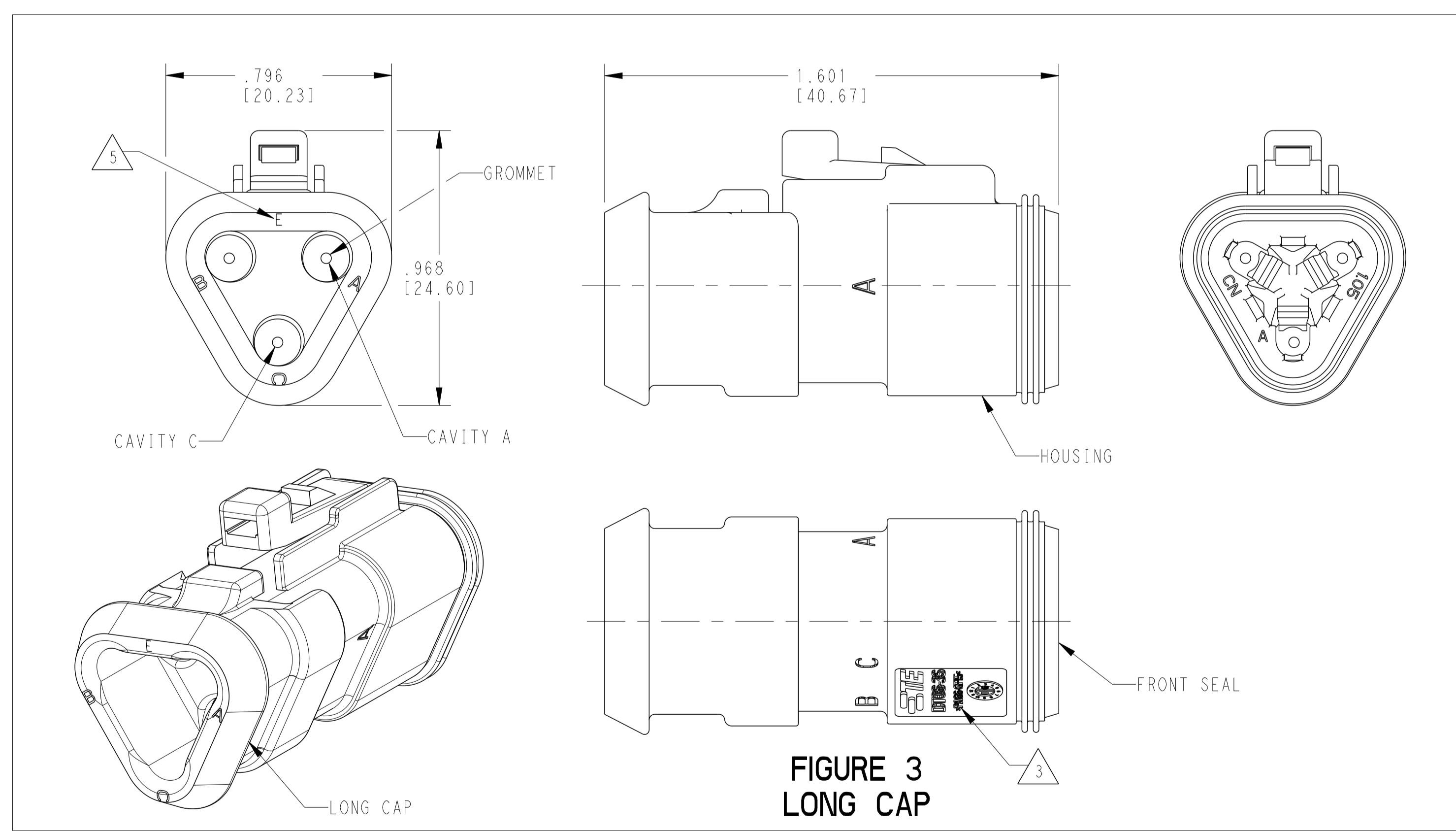


FIGURE 3
LONG CAP

CONTACT SIZE	WIRE RANGE	INSULATION OD SEALING RANGE	SEAL IDENTIFICATION
16	14-20 AWG [2.5-0.5mm ²]	.088-.145 [2.23-3.68]	STANDARD SEAL
		.053-.120 [1.35-3.05]	EXTRA THIN SEAL E-SEAL

TE INTERNAL PART NUMBER	DEUTSCH PART NUMBER	PN REV	COLOR	STANDARD SEAL GROMMET	EXTRA THIN SEAL E-SEAL GROMMET	SHORT CAP	LONG CAP	FIGURE
DT06-3S	DT06-3S	A	GREY	X				1
DT06-3S-C015	DT06-3S-C015	A	GREY		X			1
DT06-3S-CE01	DT06-3S-CE01	A	GREY		X	X		2
DT06-3S-CE02	DT06-3S-CE02	A	BLACK		X			1
DT06-3S-CE04	DT06-3S-CE04	A	GREY		X		X	3
DT06-3S-CE05	DT06-3S-CE05	A	BLACK		X	X		2
DT06-3S-CE06	DT06-3S-CE06	A	BLACK		X			1
DT06-3S-CE13	DT06-3S-CE13	A	BLACK		X		X	3
DT06-3S-E003	DT06-3S-E003	A	GREY	X		X		2
DT06-3S-E004	DT06-3S-E004	A	BLACK	X				1
DT06-3S-E005	DT06-3S-E005	A	BLACK	X		X		2
DT06-3S-E008	DT06-3S-E008	B	GREY	X			X	3
DT06-3S-EP04	DT06-3S-EP04	B	GREY	X		X		2
DT06-3S-EP06	DT06-3S-EP06	B	BLACK	X		X		2
DT06-3S-EP11	DT06-3S-EP11	B	BLACK	X			X	3
DT06-3S-P004	DT06-3S-P004	B	GREY	X				1
DT06-3S-P012	DT06-3S-P012	A	BLACK	X				1

3 MATERIAL: HOUSING: PA66 GF15, SEE TABLE FOR COLOR
 SHORT, LONG CAP: PA66 GF15, SEE TABLE FOR COLOR
 GROMMET: VMQ (RED-ORANGE)
 FRONT SEAL: VMQ (RED-ORANGE)

2. THIS PLUG MATES WITH DT04-3P-XXXX PLUG.
 (XXXX = ALL MODIFICATIONS)

1. SECONDARY WEDGE LOCK SOLD SEPARATELY: W3S-XXXX.
 (XXXX = ALL MODIFICATIONS)
 W3S OR W3S-P012 MAY BE USED WITH THESE PLUGS,
 W3S-P012 IS RECOMMENDED.

7 XXXX IDENTIFIES THE MODIFICATION NUMBER, IF APPLICABLE.
 EXAMPLE: "E003" FOR DT06-3S-E003,
 OR BLANK FOR DT06-3S.

6. FOR CONTACTS AND WIRE PERFORMANCE AND APPLICATION CHARACTERISTICS SEE CUSTOMER DRAWING 0425-015-0000.

5 "E" IDENTIFIES E-SEAL.

4 DATE CODE: IDENTIFIES THE YEAR, MONTH, DAY AND HOUR OF ASSEMBLY.
 YEAR: FIRST AND SECOND DIGITS. (17 = 2017)
 MONTH: THIRD DIGIT, EXCLUDING 1. A = JAN, B = FEB,
 C = MARCH ... (K = OCTOBER)
 DAY: FOURTH AND FIFTH DIGITS (14 = 14th DAY)
 HOUR: SIXTH AND SEVENTH DIGITS (11 = 11AM)

NOTES: UNLESS OTHERWISE SPECIFIED

THIS DRAWING IS A CONTROLLED DOCUMENT. DWN: J. APOSTOL 07NOV2016
 CHK: R. MESSENGER 07NOV2016
 APVD: D. MEYER 07NOV2016

DIMENSIONS: i.n. [mm]

0 PLC	±
1 PLC	±
2 PLC	±
3 PLC	±
4 PLC	±
ANGLES	± 40° 30' 00"

TOLERANCES UNLESS OTHERWISE SPECIFIED:
 ±.025 (0.635)

MATERIAL: 3

FINISH: 3

TE Connectivity

3 WAY PLUG, STANDARD SEAL
 EXTRA THIN SEAL, SHORT CAP AND
 LONG CAP, DT SERIES

SIZE: A1 CAGE CODE: 4AFU8 DRAWING NO: 0425-017-0000 SHEET 1 OF 1 REV B

CUSTOMER DRAWING SCALE: 3:1