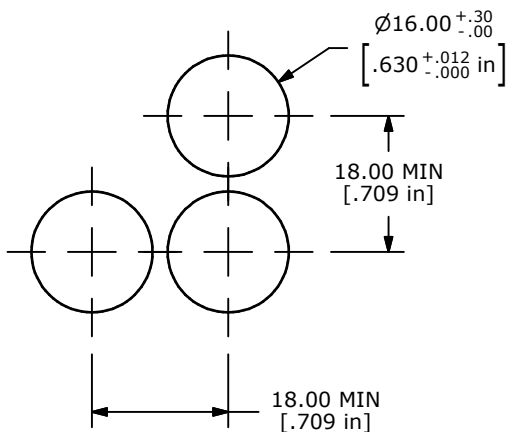
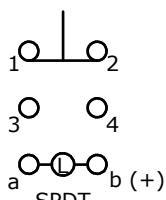


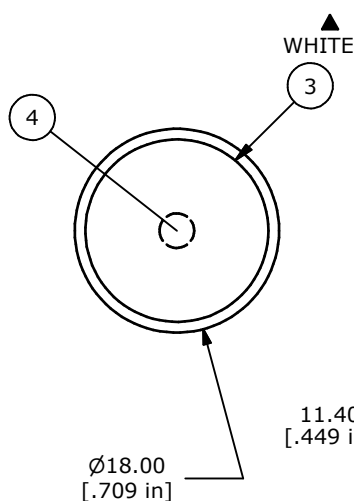
| PARTS LIST | | | | |
|------------|-----|-------------|---|--|
| ITEM | QTY | PART NUMBER | DESCRIPTION | |
| 1 | 1 | F040015 | P16EER11 | |
| 2 | 1 | F051601 | P16 PLASTIC TERMINAL PROTECTOR | |
| 3 | 1 | F050105 | 50-001-05 ROUND OPAQUE WHITE LENS (CONCAVE) | |
| 4 | 1 | F050404 | 50-004-04 12V INCANDESCENT BULB - 80mA | |



PANEL MOUNTING



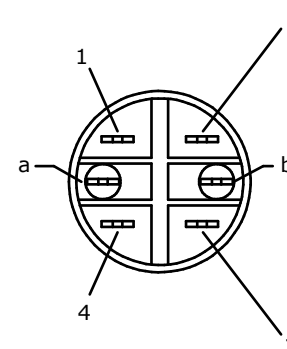
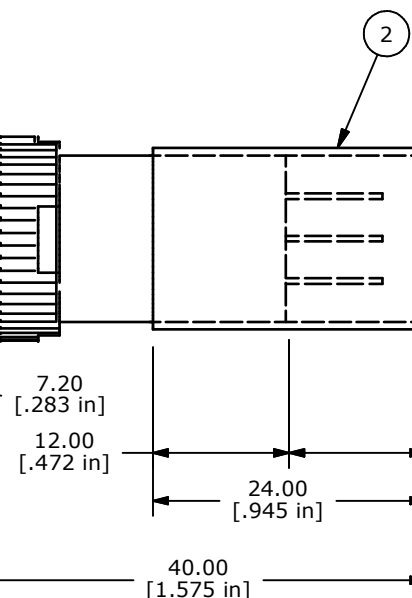
CONTACT CONFIGURATION



WHITE

Ø18.00
[.709 in]

11.40
[.449 in]



12.00
[.472 in]

- NOTE:
- ALL DIMENSIONS IN MM [INCH]
 - GENERAL TOLERANCE: X.X=±0.4
X.XX=±0.25
 - TERMINAL NUMBERS FOR REF ONLY
 - MECHANICAL LIFE: 2,000,000 OPERATIONS
 - CONTACT RATING: 5A @250VAC, 8A @125VAC
6A @24VDC
 - MOUNTING PANEL THICKNESS: 0.5 - 5.0mm
 - SEAL RATING: IP40
 - INSULATION RESISTANCE: 1,000 MILLI-OHM MIN.
 - OPERATING TEMP.: -25°C to 55°C
 - TRAVEL: 3.0mm FULL TRAVEL
 - LAMP VOLTAGE: INCANDESCENT: 14V (AC or DC), 80mA
 - ▲ DENOTES CRITICAL PARAMETER.
 - 2002/95/EC (ROHS) COMPLIANT



TITLE P16EER11BWHT

| | | | | |
|-----|--------|--------------------------|---------|-----|
| A | 18953 | RERelease For Production | 3/17/10 | BLR |
| REV | PCR NO | DESCRIPTION | DATE | BY |

| | | | | |
|-------|-----------|-----|---------|-----|
| SCALE | DATE | DR | DWG | REV |
| 2:1 | 3/17/2010 | BLR | XF0815P | A |

THE INFORMATION CONTAINED IN THIS DOCUMENT IS PROPRIETARY TO E-SWITCH AND IS NOT TO BE COPIED OR TRANSFERRED