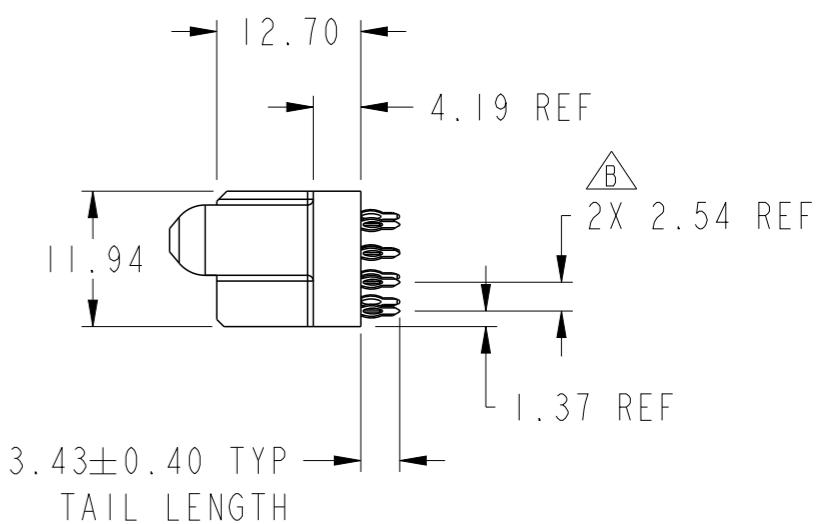
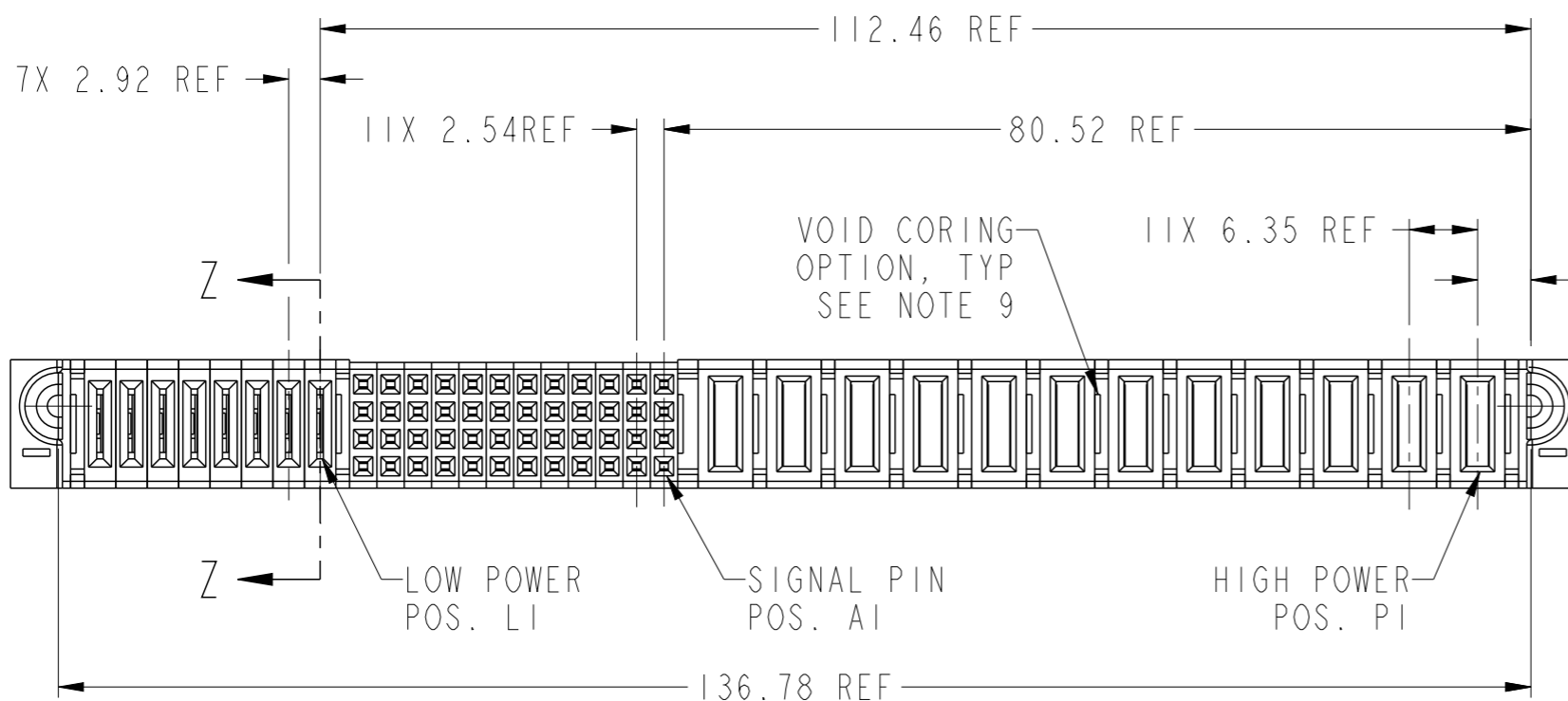
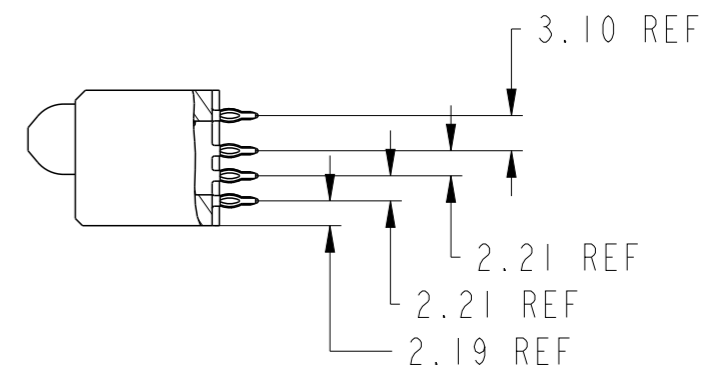
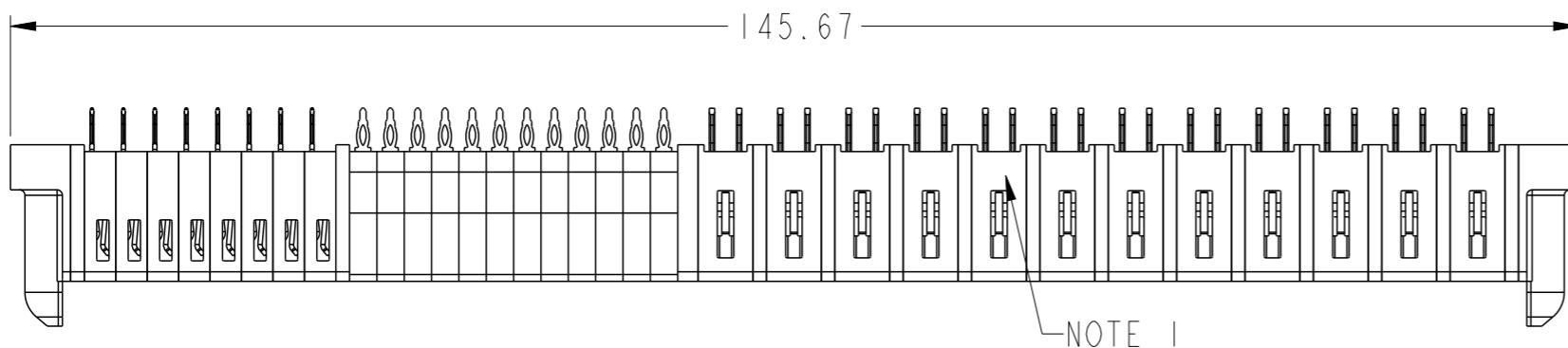
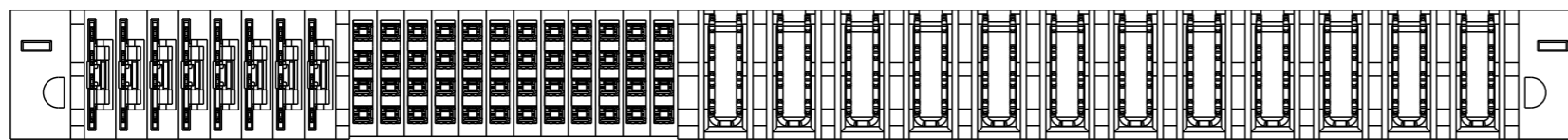
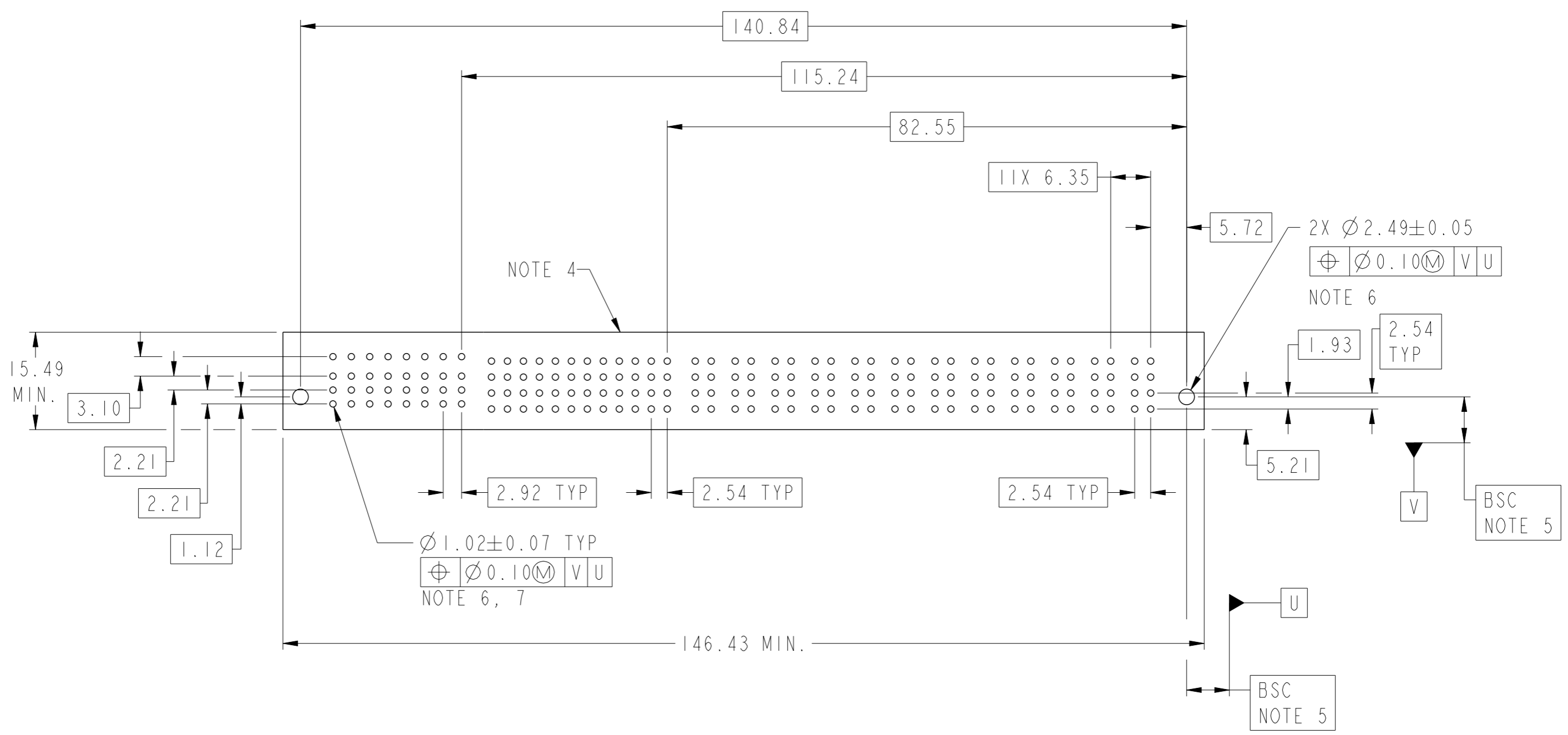


PRODUCT NUMBER SEE SHEET 2



spec ref				dr	Peng-Bing Fu	2012/06/27	projection	MM	size	A3	scale	3:2	
tolerance std	ASME Y14.5			eng	Peng-Bing Fu	2012/11/13			ecn no	ELX-DG-013146-1			
TOLERANCES UNLESS OTHERWISE SPECIFIED				chr	Tian-Xu Huang	2012/11/13			product family	PowerBlade+	rel level	Released	
surface		linear	0.X ±0.50		appr	Pei-Ming Zheng	2012/11/13	12HP + 48S + 8LP		dwg no 10106131-C812001	rev		B
					0.XX ±0.25	VT PF RECEPTACLE		Product - Customer Drw			sheet 1 of 3		
		angular	0° ±2°		www.fci.com	cat. no.		PDS: Rev :B		STATUS:Released		Printed: Nov 14, 2012	

PRODUCT NO.	ROWS	LOW POWER								SIGNAL								HIGH POWER								E2						
		E1	L8	L7	L6	L5	L4	L3	L2	L1	12	11	10	9	8	7	6	5	4	3	2	1	P12	P11	P10		P9	P8	P7	P6	P5	P4
10106131-C812001LF	DCBA	LT LT LT LT LT LT LT LT LT LT								F F F F F F F F F F F F F F F F								HG HG HG HG HG HG HG HG HG HG HG HG HG HG HG HG														



Copyright FCI.

CODE	DESCRIPTION
F	STD SIGNAL CONTACT
HG	STD HIGH POWER CONTACT (3.43)
LT	STD LOW POWER CONTACT (3.43)

dr	Peng-Bing Fu	2012/06/27	projection	MM	size	A3	scale	3:2	
eng	Peng-Bing Fu	2012/11/13			ecn no	ELX-DG-013146-1			
chr	Tian-Xu Huang	2012/11/13				product family	PowerBlade+	rel level	Released
appr	Pei-Ming Zheng	2012/11/13				dwg no	10106131-C812001	rev	B
www.fci.com			cat. no.	Product - Customer Drw			sheet 2 of 3		

A

B

C

D


A

B

C

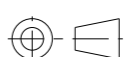
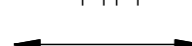

D

NOTES:

- 1) "FCI", PART NUMBER AND DATE CODE TO BE MARKED ON THIS SURFACE.
THE P/N CAN BE OMITTED IF THERE IS NOT ENOUGH SPACE ON THIS SURFACE.
- 2) MATERIALS:
-HOUSING - GLASS FILLED WITH HIGH TEMP THERMOPLASTIC, UL94V-0.
-SIGNAL CONTACT - COPPER ALLOY.
-POWER CONTACT - HIGH CONDUCTIVITY COPPER ALLOY.
- 3) PLATING SPECIFICATION REFER TO FCI 10116351
- 4) DENOTES CONNECTOR KEEP OUT ZONE.
- 5) DATUM AND BASIC DIMENIONS WERE ESTABLISHED BY CUSTOMER.
- 6) ALL HOLE DIAMETERS ARE FINISHED HOLE SIZES.
- 7) 1.15 ± 0.025 MM DRILLED HOLE PLATED WITH 0.00762MM MIN Sn
OVER 0.0254-0.0762MM Cu PLATING TO ACHIEVE A 1.02 ± 0.07 MM HOLE.
- 8) PRODUCT SPECIFICATION REFER TO FCI GS-12-658.
APPLICATION SPECIFICATION REFER TO FCI GS-20-141.
PRODUCT PACKAGED IN TRAYS, REFER TO FCI GS-14-1502.
- 9) THE VOID CORING IN BETWEEN POWER MODULES, SIGNAL
MODULES AND END MODULES ARE OPTIONAL AND THE SHAPE
MAY BE DIFFERENT FOR OPTIMIZE THE MOLDING PROCESS. THE
VOID CORING WILL NOT EFFECT TO PRODUCT FUNCTION.
- 10) A  SYMBOL WILL BE NEXT TO ANY DIMENSION, VIEW, OR NOTE
WHICH HAS BEEN MODIFIED WITH THE CURRENT DRAWING REVISION.



Copyright FCI.

dr	Peng-Bing Fu	2012/06/27	projection 	MM 	size	A3	scale	1:1
eng	Peng-Bing Fu	2012/11/13			ecn no	ELX-DG-013146-1		
chr	Tian-Xu Huang	2012/11/13			product family	PowerBlade+	rel level	Released
appr	Pei-Ming Zheng	2012/11/13			cat. no.	12HP + 48S + 8LP	rev	
		VT PF RECEPTACLE		www.fci.com	cat. no.	10106131-C812001	rev B	sheet 3 of 3
			Product - Customer Drw					