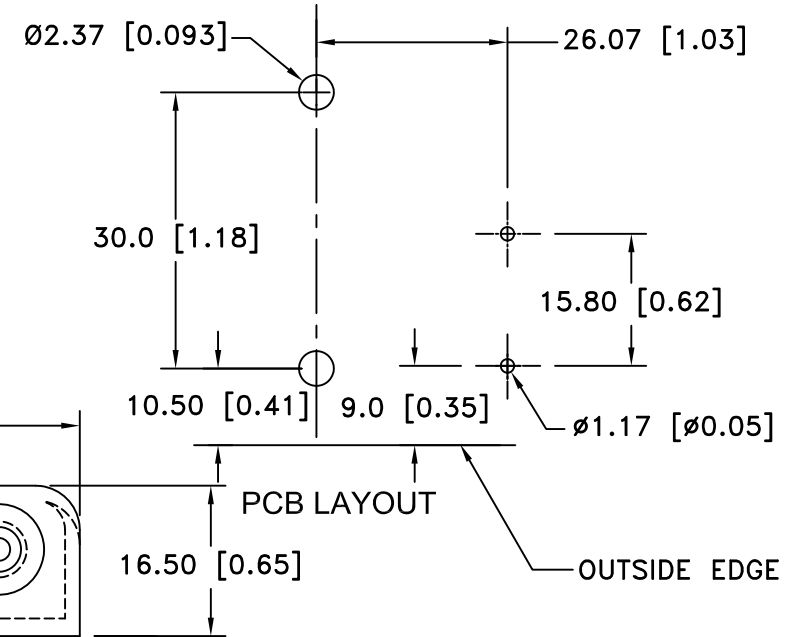
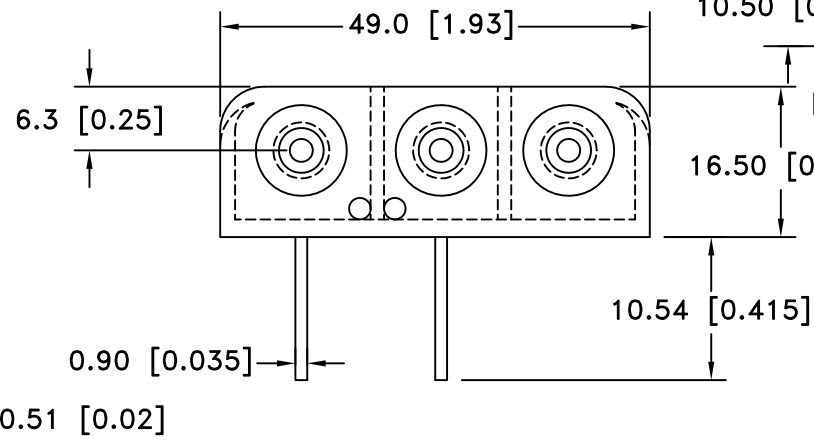
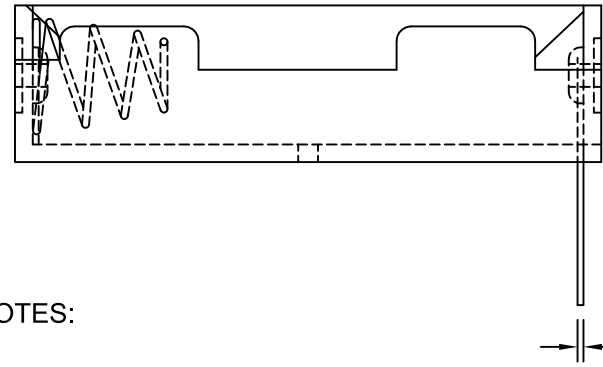
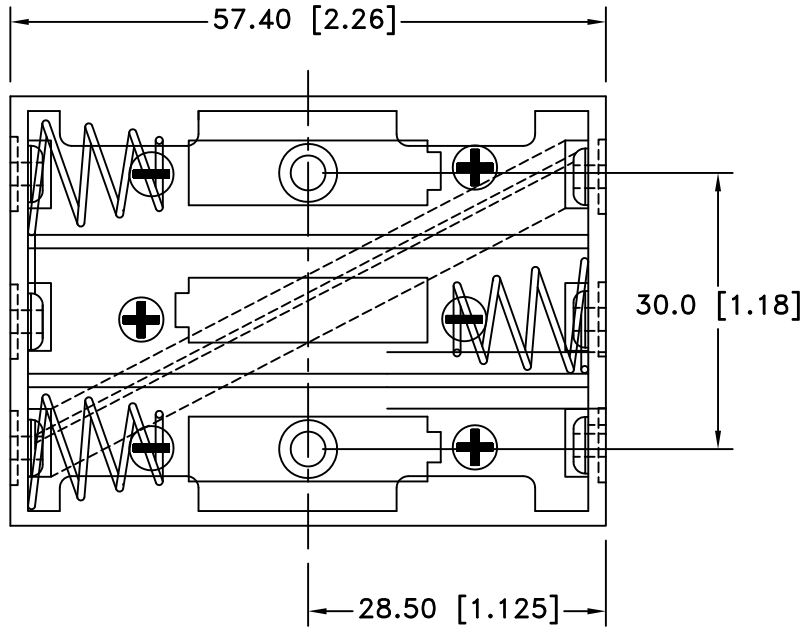



| Date | SYM | REVISION RECORD | AUTH | DR. | CK. |
|----------|-----|------------------------------------|------|------|-----|
| 7/16/10 | B | REDRAWN AND UPDATED MATERIAL NOTES | T.B. | B.S. | |
| 12/21/12 | C | Dim. 15.80 was 12.77 | T.B. | B.S. | |
| | | | | | |
| | | | | | |
| | | | | | |



NOTES:

- MATERIAL:
 HOUSING : POLYPROPYLENE
 FLAMMABILITY RATING: UL94 HB, UL FILE NO. E216959
 TEMPRATURE RANGE: -10°C TO +100°C
 RIVETS: BRASS, NICKLE PLATED.
 SPRING: SPRING STEEL, NICKLE PLATED.
 CONTACT RESISTANCE: UNDER 50m Ω FOR ± CONTACTS PER EIA-540J000
 ROHS COMPLIANT

| | | | |
|--------------------------------|---|---------------------------|-----------------------------------|
| Tolerance (Except as noted) |  Memory Protection Devices, Inc 200 Broad Hollow Road, Farmingdale, New York 11735 | | |
| | decimal ±.5 (.020) | Scale | Drawn By B.S. Approved By T.B. |
| Fractional ± .8 (.030) | Title THREE "AA" CELL HOLDER | | |
| Angular ± 3° | Date 12/21/12 | Drawing Number BC3AAPC | |