

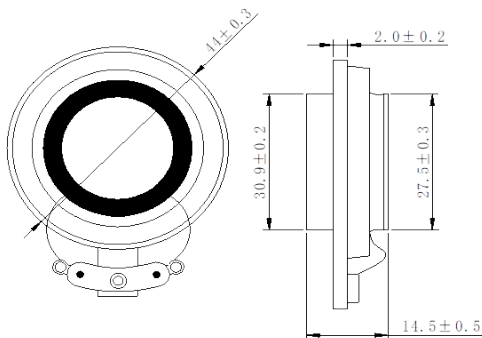


MODEL: E-4408
PRODUCT: Exciter
EDITION: A/2017



Specification	Unit	E-4408
AC Impedance	Ω	$8 \pm 15\%$ at 1000Hz
Rated Input Power	Watt	5.0
Max Input Power	Watt	8.0
Resonant Frequency	Hz	$500 \pm 20\%$
Frequency Range	Hz	F0 ~ 20.0KHz, Average SPL ± 10 dB
Output Sound Pressure Level	dB	86 ± 3 dB 1.0 Watt/1.0 Meter, AVG. at 0.8, 1.0, 1.2, 1.5KHz
Operating Temperature	$^{\circ}\text{C}$	$-20^{\circ}\text{C} \sim +50^{\circ}\text{C}$
Storage Temperature	$^{\circ}\text{C}$	$-40^{\circ}\text{C} \sim +60^{\circ}\text{C}$
Dimension	mm	$\phi 44.0 \times H14.5$
Distortion		3% maximum at 1000Hz, 5.0W
Polarity		Diaphragm shall move forward when a positive DC current is applied to the "+" or "Marked" Terminal
Load Test		Audio Signal Generator at 6.32 Volt Total 48 hours and 20Hz ~ 20KHz resonant frequency
Abnormal Sound Test		Must be normal tested at 6.32 Volt sine wave

DIMENSIONS



Unit: mm



FREQUENCY RESPONSE

