

NOTES:

1. MATERIALS AND FINISHES:  
 BODY, BODY REAR - BRASS, NICKEL PLATING  
 CONTACT - BRASS, GOLD PLATING  
 INSULATOR, INSULATOR-REAR - PTFE, NATURAL  
 COUPLING NUT - BRASS, NICKEL PLATING  
 CAP - BRASS, NICKEL PLATING  
 FERRULE - BRASS, NICKEL PLATING  
 GASKET - SILICONE RUBBER

2. ELECTRICAL:  
 A. IMPEDANCE: 75 OHM  
 B. FREQUENCY RANGE: DC - 12 GHz  
 C. RETURN LOSS: -20 dB DC-6 GHz  
 -15 dB 6-12 GHz  
 C. DIELECTRIC WITHSTANDING VOLTAGE: 1000 VRMS, MIN.

3. MECHANICAL:  
 A. DURABILITY: 500 CYCLES MIN.  
 B. TEMPERATURE RANGE: -40° C TO +85° C

4. PACKAGING:  
 A. QUANTITY: SINGLE PACK  
 B. MARKING: BAG TO BE MARKED  
 "AMPHENOLRF, 31-70545-12G, AND DATE CODE"

5. RECOMMENDED CABLE ASSEMBLY INSTRUCTIONS:  
 A. TRIM CABLE AS SHOWN.  
 B. SLIDE FERRULE ONTO CABLE.  
 C. SLIDE INSULATOR-REAR ONTO CENTER CONDUCTOR IN THE ORIENTATION SHOWN.  
 D. INSERT CABLE AND INSULATOR WITH FOIL ENTERING CONNECTOR AND BRAID OVER KNURL.  
 E. SOLDER CONTACT TO CABLE CENTER CONDUCTOR.  
 F. CRIMP FERRULE OVER BRAID WITH 0.324" HEX DIE.

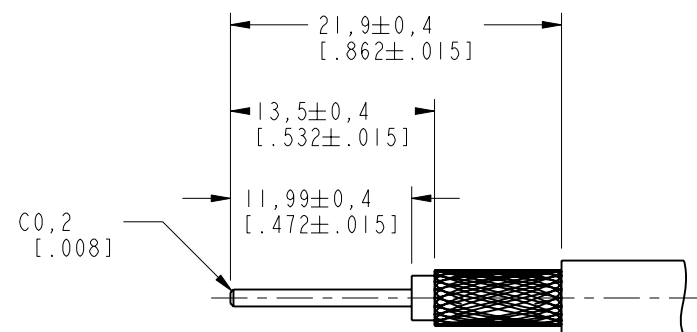
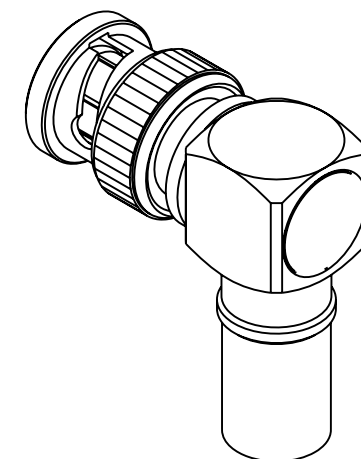
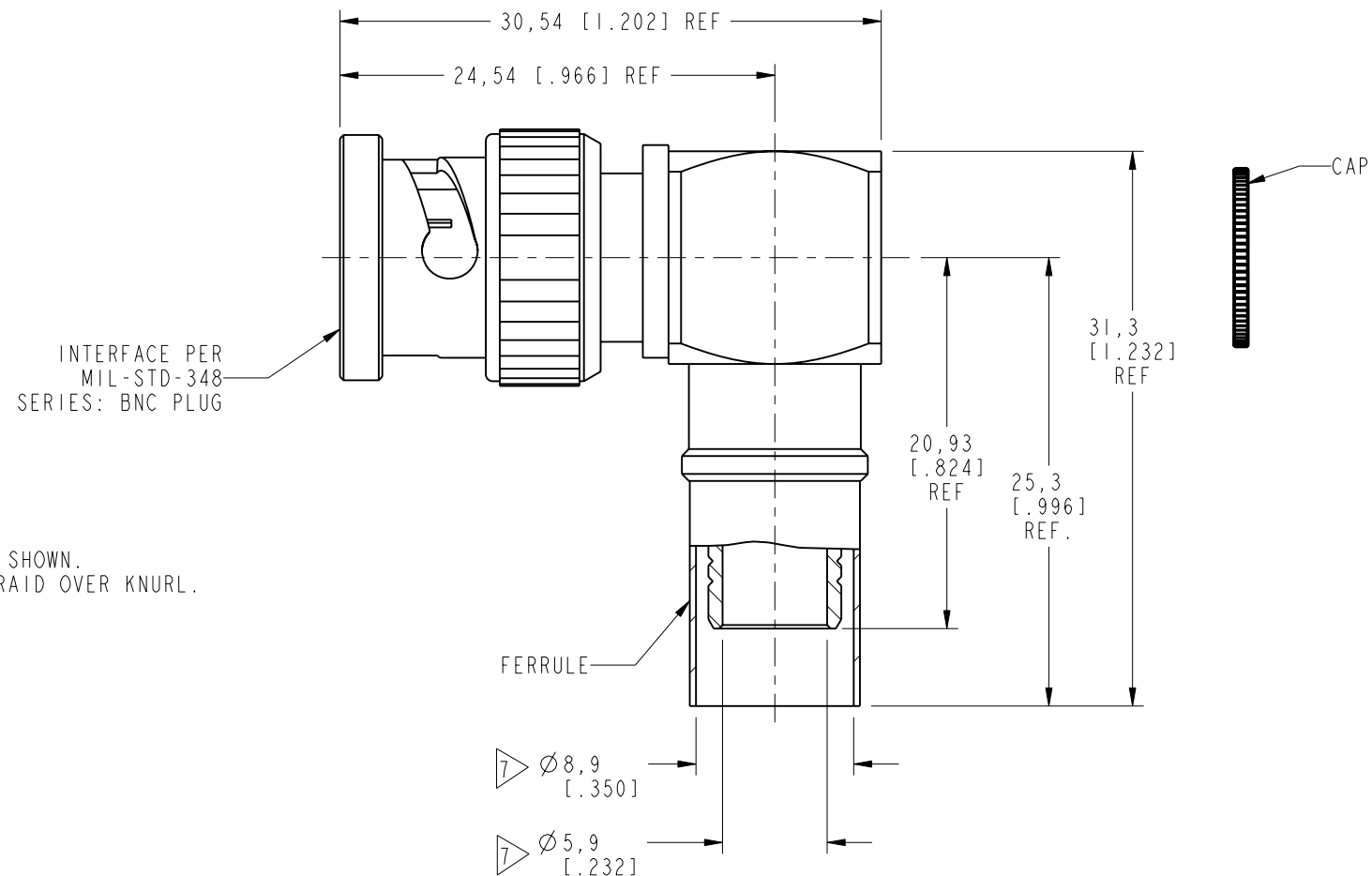
6. CAP ASSEMBLY INSTRUCTIONS:  
 A. PRESS INTO BODY UNTIL FLUSH

7. SHOWS CABLE ENTRY DIMENSIONS.

THIRD ANGLE PROJ.

REVISIONS

REV	DESCRIPTION	DATE	ECN	APPR
A	RELEASE TO MFG.	15-Mar-18	07342	KCE



RECOMMENDED CABLE STRIPPING DIMENSIONS

**CUSTOMER OUTLINE DRAWING**

ALL OTHER SHEETS ARE FOR INTERNAL USE ONLY

UNLESS OTHERWISE SPECIFIED, DIMENSIONS ARE IN METRIC AND TOLERANCES ARE: <0.5mm ±0.05mm    0.5 - 6mm ±0.1mm    6 - 30mm ±0.2mm    30 - 120mm ±0.3mm    ANGLES ±1°  NOTICE - These drawings, specifications, or other data (1) are, and remain the property of Amphenol corp. (2) must be returned upon request; and (3) are confidential and not to be disclosed to any person other than those to whom they are given by Amphenol Corp. the furnishing of these drawings, specifications, or other data by Amphenol Corp., or to any other person to anyone for any purpose is not to be regarded by implication or otherwise in any manner licensing, granting rights to permitting such holder or any other person to manufacture, use or sell any product, process or design, patented or otherwise, that may in any way be related to or disclosed by said drawings, specifications, or other data.	MATERIAL	DRAWN K. SONG	DATE 24-Mar-18	TITLE R/A BNC PLUG (BELDEN 4794R CABLE)	Amphenol RF www.amphenolrf.com	
	REFERENCE	ENGINEER K. ELMES	DATE 13-Nov-17			
	EAR# 8067	APPROVED S. HSIEH	DATE 29-Mar-18	SCALE: 2.5:1.0 SHEET 2 OF 2	DRAWING NO. 31-70545-12G	
	REF:	CONFIGURATION LEVEL: In Work	CAD FILE	DWG SIZE B	REV A	ITEM NO. 31-70545-12G
	FINISH					PART NO. 31-70545-12G