

MATERIALS AND FINISH

PART NO. 73415-4672

NOTES:

PART NO.73415-4670
73415-4671

BODY
BERYLLIUM COPPER
PLATED GOLD

1,PART NO.73415-4670 PACKAGE WITH TRAY

BODY
BRASS OR BERYLLIUM COPPER
PLATE GOLD

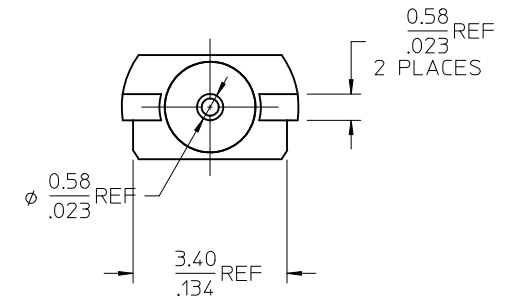
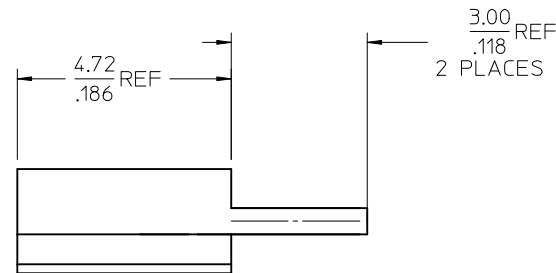
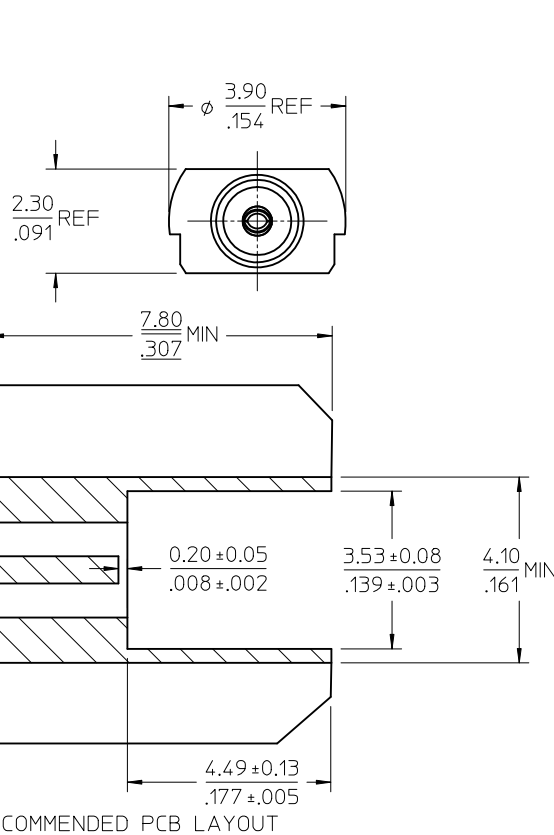
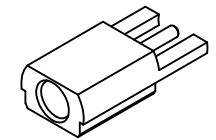
CENTER CONTACT
BERYLLIUM COPPER
PLATED GOLD

2,PART NO.73415-4671/73415-4672 PACKAGE WITH
TAPE & REEL (SEE SHEET 2 & 3)

CENTER CONTACT
BERYLLIUM COPPER
PLATED GOLD

INSULATOR
TEFLON

INSULATOR
TEFLON



73415-4674	1 PC 73415-4672 PER BAG
73415-4673	1 PC 73415-4670 PER BAG
73415-4672	NON-MAGNETIC
73415-4671	GENERAL TYPE
73415-4670	GENERAL TYPE
PART NUMBER	DESCRIPTION

CHG:PACKAGE
73415-4670 WITH
TRAY WAS POLYBAG
ADDED PACKAGE TR
DRAWING
PER RFP10-E140
EC NO: URF2010-0598
DRWN: CME102 2010/05/26
CHKD: JOHNSON 2003/11/26
APPR: HUANG 2010/06/02

QUALITY SYMBOLS
▽=0
▽=0

GENERAL TOLERANCES (UNLESS SPECIFIED)

	mm	INCH
4 PLACES	± .010	± .0004
3 PLACES	± .015	± .0006
2 PLACES	± .020	± .0008
1 PLACE	± .030	± .0012

ANGULAR ± 2°

DRAFT WHERE APPLICABLE
MUST REMAIN
WITHIN DIMENSIONS

DIMENSION STYLE
MM/IN

DRAWN BY JOHN DATE 2003/11/26
CHECKED BY JOHNSON DATE 2003/11/26
APPROVED BY MISEN DATE 2003/11/26

MATERIAL NO.
SIZE C

SCALE
DESIGN UNITS
METRIC

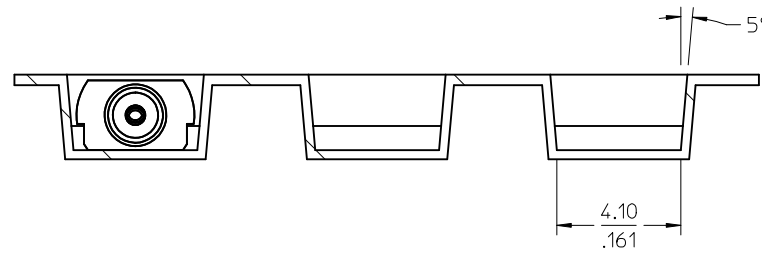
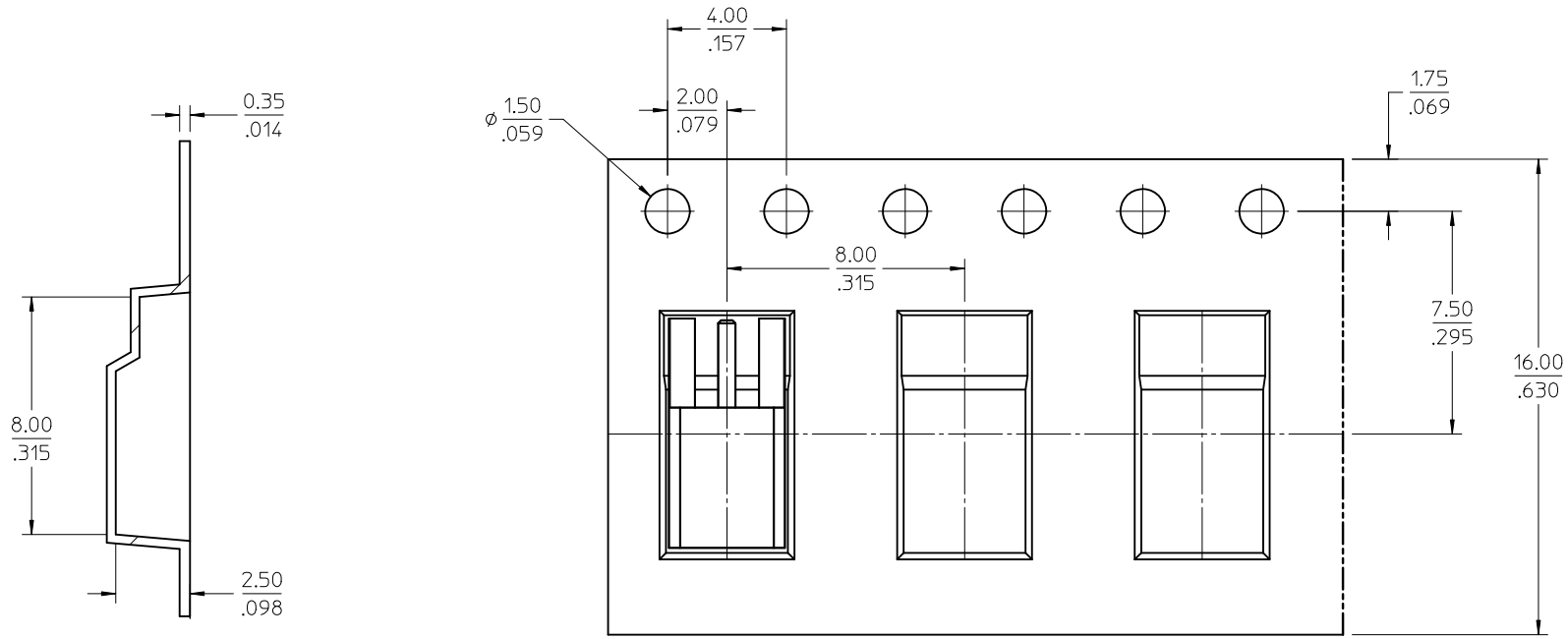
THIRD ANGLE PROJECTION

TITLE
SSMCX JACK, 50 OHM
EDGE MOUNT
SSMCX-J/PCB

MOLEX INCORPORATED

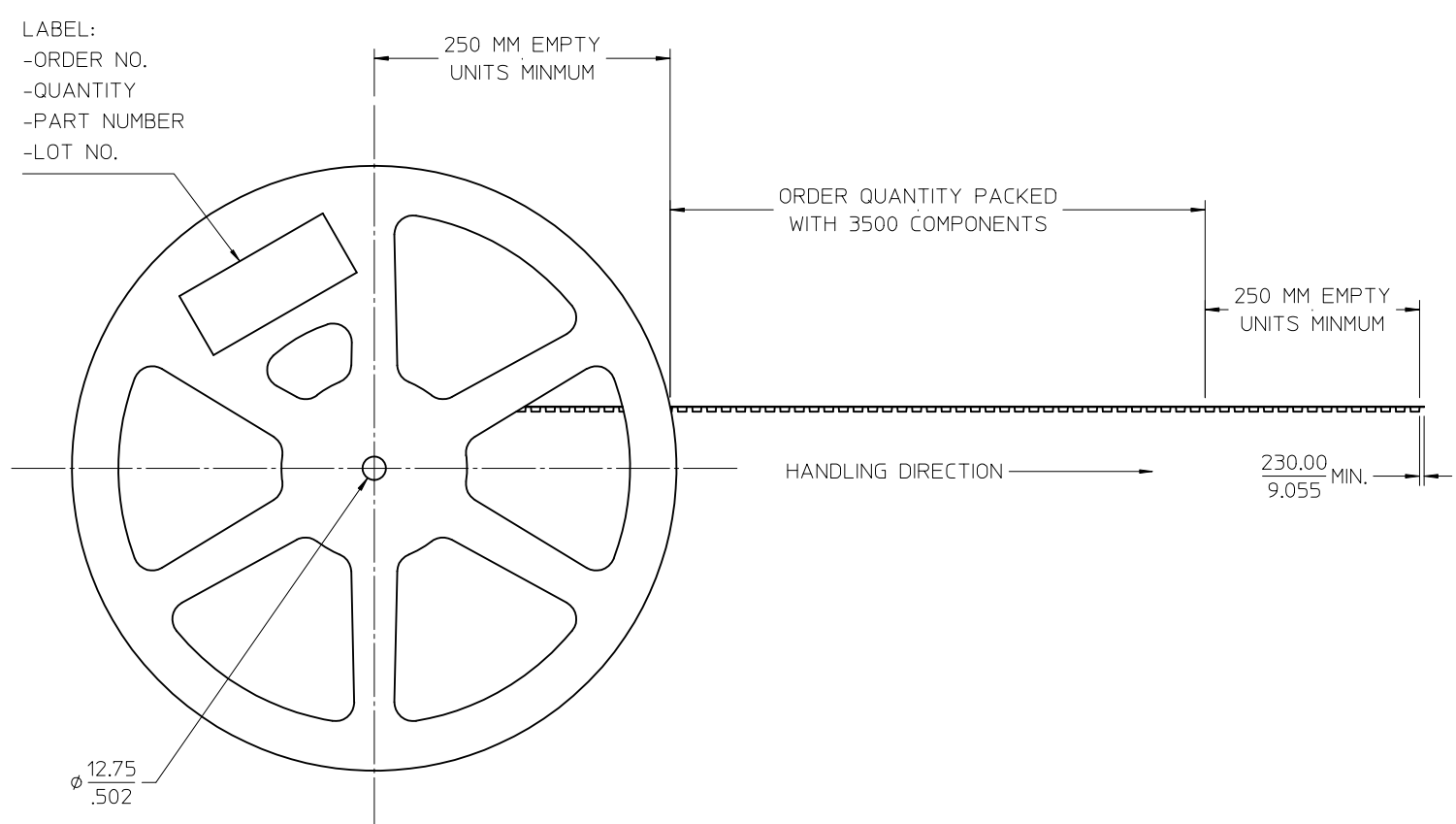
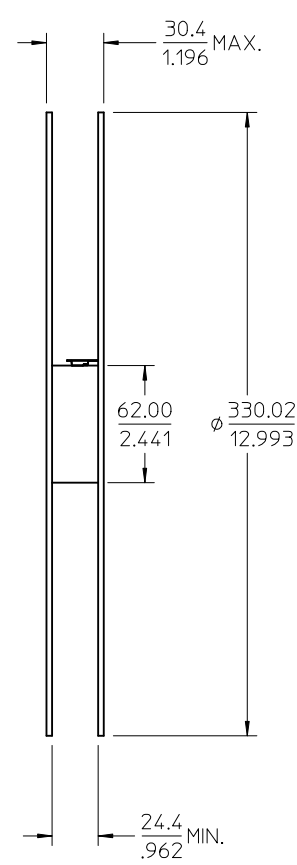
DOCUMENT NO.
SD-73415-467

SHEET NO.
1 OF 3



PART # 73415-4671/73415-4672

CHG: SEE SHEET 1 EC NO: URF2010-0598 DRWN: CME102 CHKD: JOHNSON APPR: HUANG	2010/05/26 2003/11/26 2010/06/02	DESCRIPTION REV B4	QUALITY SYMBOLS ▽=0 ▽=0	GENERAL TOLERANCES (UNLESS SPECIFIED) mm INCH 4 PLACES ± --- ± --- 3 PLACES ± --- ± --- 2 PLACES ± --- ± --- 1 PLACE ± --- ± --- ANGULAR ± 2 °	DIMENSION STYLE MM/IN DRAWN BY JOHN DATE 2003/11/26 CHECKED BY JOHNSON DATE 2003/11/26 APPROVED BY MISEN DATE 2003/11/26	SCALE DESIGN UNITS METRIC THIRD ANGLE PROJECTION	TITLE SSMCX JACK, 50 OHM EDGE MOUNT SSMCX-J/PCB
			DRAFT WHERE APPLICABLE MUST REMAIN WITHIN DIMENSIONS	MATERIAL NO. SEE SHEET 1	DOCUMENT NO. MOLEX INCORPORATED SD-73415-467	SHEET NO. 2 OF 3	
			THIS DRAWING CONTAINS INFORMATION THAT IS PROPRIETARY TO MOLEX INCORPORATED AND SHOULD NOT BE USED WITHOUT WRITTEN PERMISSION				
			SIZE C				



LABEL:
-ORDER NO.
-QUANTITY
-PART NUMBER
-LOT NO.

PART # 73415-4671/73415-4672

- PACKING DESCRIPTION :
1. MATERIAL : PS BLACK-THICKNESS : 0.35
 2. PACKING LENGTH PER 22" REEL : 86 METER (1:3)
 3. COMPONENT LOAD PER 13" REEL : 3500 PCS
 4. DIMENSION ARE PROVIDED FOR REFERENCE ONLY

CHG: SEE SHEET 1 EC NO: URF2010-0598 DRW: CWE102 2010/05/26 CHKD: JOHNSON 2003/11/26 APPR: HUANG 2010/06/02	QUALITY SYMBOLS ▽=0 ▽=0	GENERAL TOLERANCES (UNLESS SPECIFIED)		DIMENSION STYLE	SCALE	DESIGN UNITS	THIRD ANGLE PROJECTION	
				MM/IN		METRIC		
				DRAWN BY	DATE	TITLE		
				CHECKED BY	DATE	SSMCX JACK, 50 OHM EDGE MOUNT SSMCX-J/PCB		
REV: B4	DESCRIPTION			APPROVED BY	DATE	MOLEX INCORPORATED		
				MISEN	2003/11/26	DOCUMENT NO. SD-73415-467		
				DRAFT WHERE APPLICABLE MUST REMAIN WITHIN DIMENSIONS		SHEET NO. 3 OF 3		
				SEE SHEET 1		THIS DRAWING CONTAINS INFORMATION THAT IS PROPRIETARY TO MOLEX INCORPORATED AND SHOULD NOT BE USED WITHOUT WRITTEN PERMISSION		