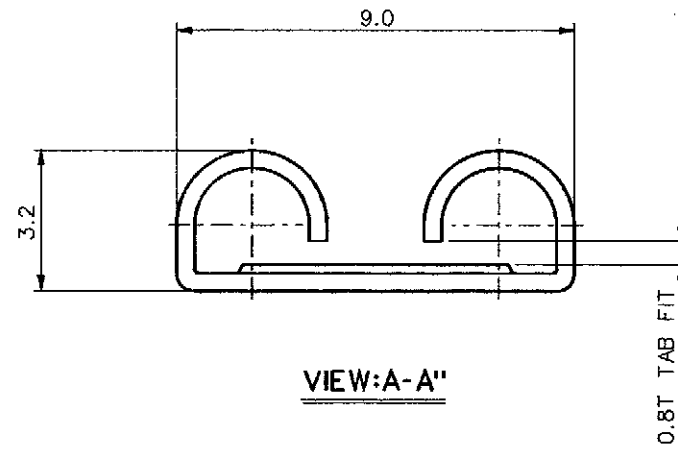
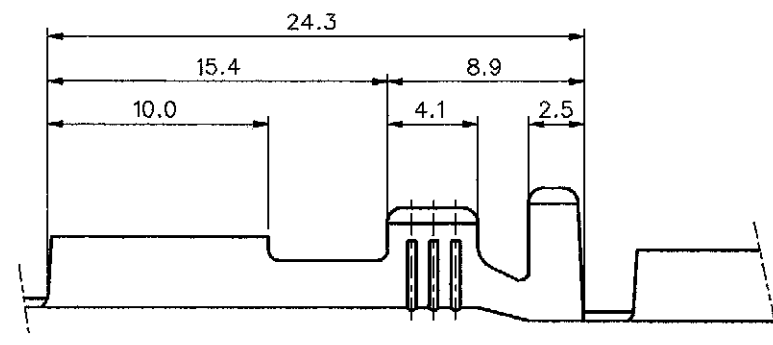
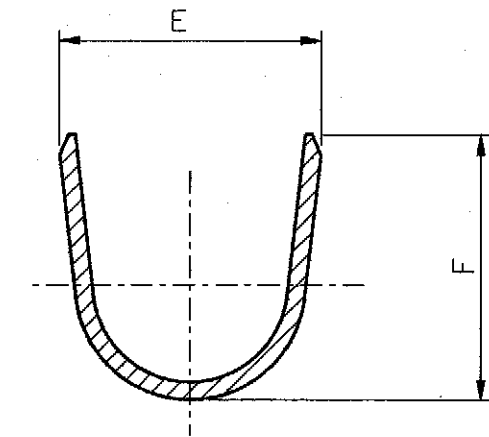
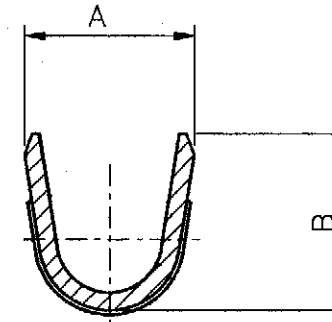
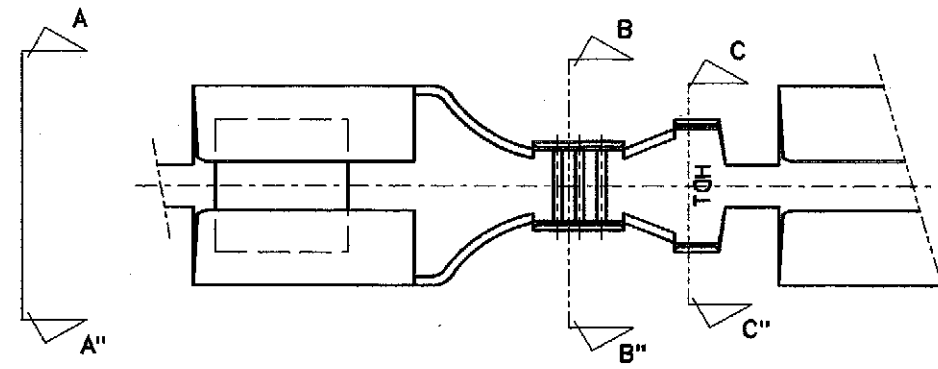


PROJECT NAME

DEMENSION IN METRIC

DO NOT SCALE DRAWING



SECTION: B-B''

SECTION: C-C''

PART.NO	A	B	E	F
35032-980*	3.6	3.7	5.3	5.1
35032-990*	4.9	6.2	8.5	8.5

NOTES

- MATERIAL: BRASS, THK': 0.4
- PLATING: POST-TIN PLATING
- WIRE SIZE: AWG#14-12: **35032-980*** * : 0.4_L plated
AWG#12-10: **35032-990***

					PACKAGING 2,000 Q'TY / REEL	TOLERANCES IN METRIC			IMPORTANCE CLASSIFICATION		MATERIAL		SHEET NO. 10F1	DATE 1992.3.12
					WIRE RANGE	3 PLACE ±	▽ : CRITICAL ▼ : MAJOR		CODE : SEE NOTES		moLEX MX-HDT KOREA CO.,LTD		REVISE ONLY ON CAD SYSTEM	
					AWG.: SEE MM ² : TABLE	2 PLACE ±	□ : MINOR () : REFERENCE		THK. : ±		TITLE: .312 SLIP-ON RECEPTACLE			
						1 PLACE ±0.30			DRAWN BY W.Y.YANG		CHK'D BY <i>AF</i>			
						METRIC (INCH)			APP'D BY <i>W.Y.</i>		SCALE N/S		EDP.NO.	
						TOLERANCES ANGULAR : 0.5°					ENG.NO. SD 35032-9***		REV.	

8

7

6

5

4

3

2

MOLEX KOREA CO.,LTD