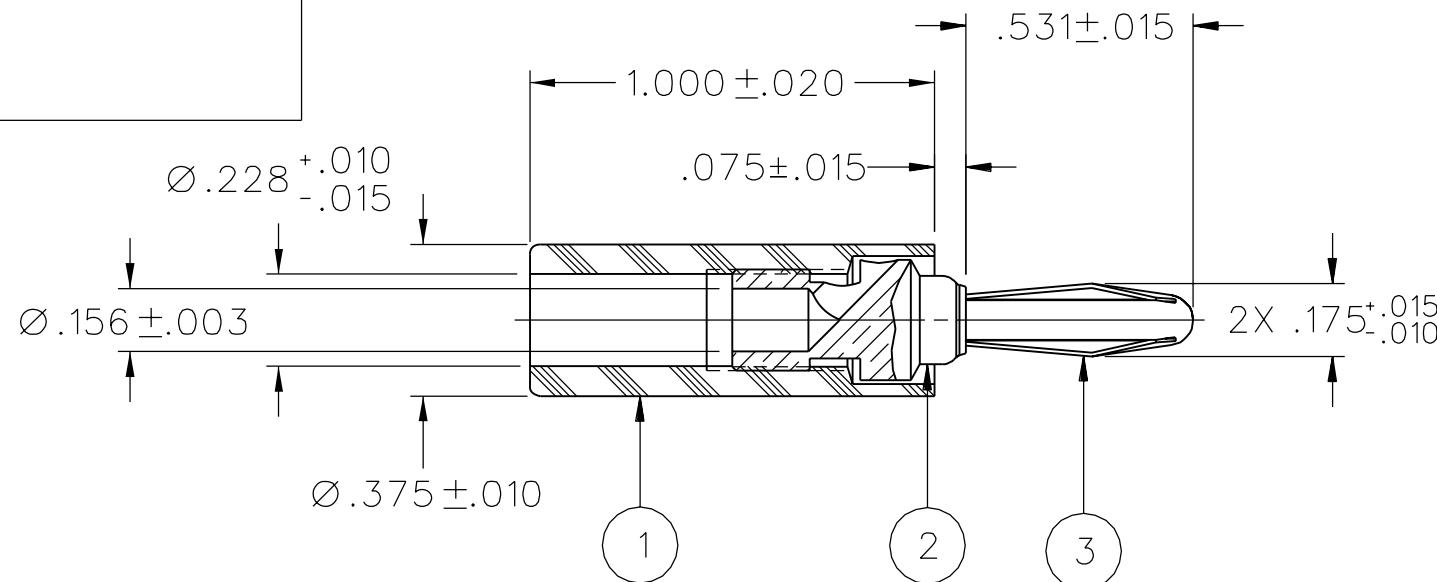


PART NUMBER	ITEM ①		ITEM ②	ITEM ③
	HANDLE	COLOR		
108-1721-103	NYLON	WHITE	BRASS NICKEL PL .0001 MIN	NICKEL SILVER NICKEL PL .0001 MIN
108-1722-103		RED		
108-1723-103		BLACK		
108-1724-103		GREEN		
108-1725-103				
108-1726-103		ORANGE		
108-1727-103		YELLOW		
108-1728-103		BROWN		
108-1729-103				
108-1730-103		BLUE		
108-1731-103				
108-1732-103		VIOLET		
108-1733-103		GRAY		
108-1734-103				
108-1735-103				
108-1736-103				
108-1737-103				
108-1738-103				
108-1739-103				
108-1740-103				

DRAWING NO. B-108-1721/1740-103							
0 REVISIONS							
14a	9-14-94	R H	S W C	T A K R J B	9-27-94 ECN 42639		
CHANGED: 15 LBS RETENTION FORCE WAS 25 LBS							
***** * REVISION NUMBER FOLLOWED BY AN ALPHA * * CHARACTER INDICATES DRAWING CLARIFICATION OR PART NUMBER ADDITION ONLY. * *****							
14b	10-22-96	R H	R J B		ECN 44344		
DIA .228 -.010 +.015 WAS DIA .228 ±.005, 1.000±.020 WAS 1.000±.010							
***** * REVISION NUMBER FOLLOWED BY AN ALPHA * * CHARACTER INDICATES DRAWING CLARIFICATION OR PART NUMBER ADDITION ONLY. * *****							
14c	6-3-08	P A T	R J B	M J U	T J S	J C N	6-9-08 ECN 51529



NOTES:

1. SPECIFICATIONS:

ELECTRICAL:

CURRENT RATING: 15 AMPS DC MINIMUM  
 DIELECTRIC WITHSTANDING VOLTAGE: 3500 VRMS MIN AT SEA LEVEL  
 RECOMMENDED WORKING VOLTAGE: 1750 VRMS MAX AT SEA LEVEL  
 INSULATION RESISTANCE: 5000 MEGOHMS MIN  
 CONTACT RESISTANCE: 10 MILLIOHMS MAXIMUM

MECHANICAL:

INSERTION/WITHDRAWAL FORCE: 1.0 - 12.0 POUNDS  
 CONTACT SPRING RETENTION FORCE: 15 POUNDS MINIMUM  
 WIRE ACCEPTABILITY: 16 AWG OR SMALLER  
 WIRE ATTACHMENT: SOLDER OR SOLDERLESS, SCREW DOWN HANDLE  
 MATING BANANA JACK DIAMETER: .166 NOMINAL  
 DURABILITY: 1000 CYCLES MINIMUM

ENVIRONMENTAL:

(MEETS OR EXCEEDS THE APPLICABLE PARAGRAPH OF MIL-C-28901)  
 OPERATING TEMPERATURE: -55 DEG C TO 85 DEG C.  
 TEMPERATURE RISE AT RATED CURRENT: 10 DEG C MAXIMUM  
 CORROSION: MIL-STD-1344, METHOD 1001, CONDITION B  
 SHOCK: MIL-STD-1344, METHOD 2004, CONDITION G  
 VIBRATION: MIL-STD-1344, METHOD 2005, CONDITION I  
 HUMIDITY: MIL-STD-1344, METHOD 1002, CONDITION B

CUSTOMER DRAWING

THIS DRAWING TO BE INTERPRETED PER ASME Y 14.5M - 1994

"μ STATION"

COMPANY CONFIDENTIAL

TOLERANCE UNLESS OTHERWISE SPECIFIED		DRAWN BY	DATE
DECIMALS	mm	SWC	4-4-94
.XX	_____	CHECKED BY	DATE
.XXX	_____	SWC	9-14-94
MATL	_____	APPROVED BY	DATE
FINISH	_____	TAK/RJB	9-19-94
		RELEASE DATE	9-27-94
U/M	INCH	SCALE	2:1



Cinch Connectivity Solutions  
 P.O. Box 1732  
 Waseca, MN 56093  
 1-800-247-8256

TITLE ASSEMBLY, BANANA PLUG, INSULATED HANDLE, ROUND BODY, SOLDER OR SOLDERLESS BACKHOLE

SHEET 2 OF 2  
 DRAWING NO. B-108-1721/1740-103