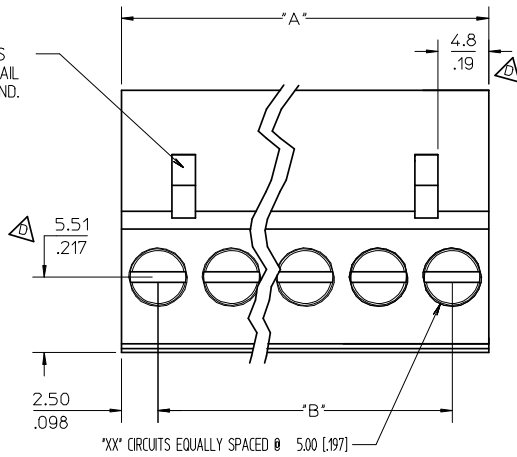
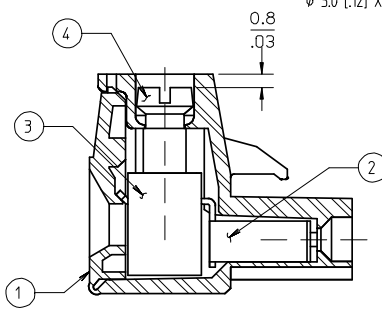
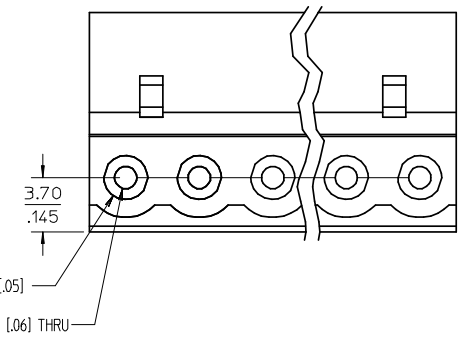
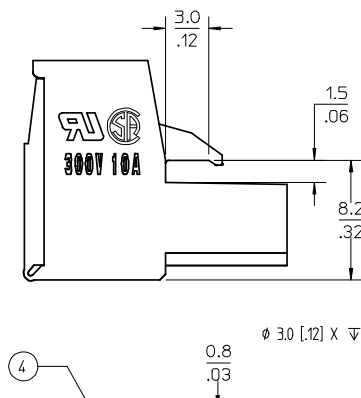
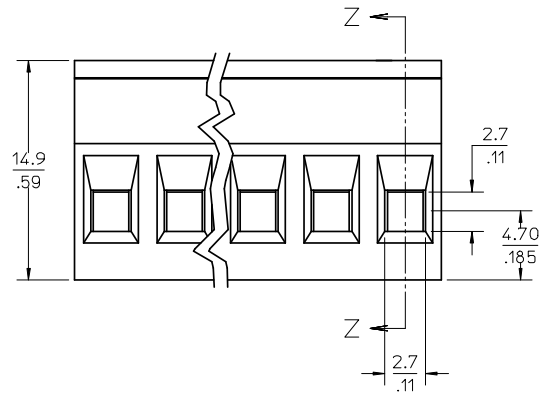
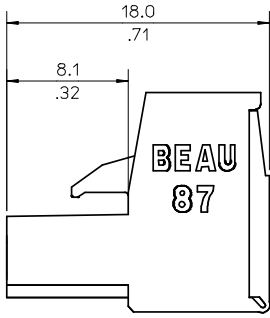


PLUGS WITH 2 CIRCUITS
HAVE ONE LATCH DETAIL
POSITIONED ON THIS END.



NUMBER OF CIRCUITS "XX"	DIM. "A"	DIM. "B"	BLACK (STD) MATERIAL NO.	BLACK (-G30 OPT) MATERIAL NO.	BLACK (-49 OPT) MATERIAL NO.	10A IMPRINT MATERIAL NO.	11A IMPRINT MATERIAL NO.	11B IMPRINT MATERIAL NO.	GRAY MATERIAL NO.	GREEN MATERIAL NO.
02	10.00 [3.94]	5.00 [.197]	398700102	398710102	398740102	398720102	398730102	398790089	-	398702102
03	15.00 [.591]	10.00 [.394]	398700103	398710103	398740103	398720103	398730103	398790090	398790168	398702103
04	20.00 [.787]	15.00 [.591]	398700104	398710104	398740104	398720104	398730104	-	-	398702104
05	25.00 [.984]	20.00 [.787]	398700105	398710105	398740105	398720105	398730105	398790091	-	398702105
06	30.00 [1.181]	25.00 [.984]	398700106	398710106	398740106	398720106	398730106	398790092	-	398702106
07	35.00 [1.378]	30.00 [1.181]	398700107	398710107	398740107	398720107	398730107	-	-	398702107
08	40.00 [1.575]	35.00 [1.378]	398700108	398710108	398740108	398720108	398730108	-	-	398702108
09	45.00 [1.772]	40.00 [1.575]	398700109	398710109	398740109	398720109	398730109	-	-	398702109
10	50.00 [1.969]	45.00 [1.772]	398700110	398710110	398740110	398720110	398730110	-	-	398702110
11	55.00 [2.165]	50.00 [1.969]	398700111	398710111	398740111	398720111	398730111	-	-	398702111
12	60.00 [2.362]	55.00 [2.165]	398700112	398710112	398740112	398720112	398730112	-	-	398702112
13	65.00 [2.559]	60.00 [2.362]	398700113	398710113	398740113	398720113	398730113	-	-	398702113
14	70.00 [2.756]	65.00 [2.559]	398700114	398710114	398740114	398720114	398730114	-	-	398702114
15	75.00 [2.953]	70.00 [2.756]	398700115	398710115	398740115	398720115	398730115	-	-	398702115
16	80.00 [3.150]	75.00 [2.953]	398700116	398710116	398740116	398720116	398730116	-	-	398702116
17	85.00 [3.346]	80.00 [3.150]	398700117	398710117	398740117	398720117	398730117	-	-	398702117
18	90.00 [3.543]	85.00 [3.346]	398700118	398710118	398740118	398720118	398730118	-	-	398702118
19	95.00 [3.740]	90.00 [3.543]	398700119	398710119	398740119	398720119	398730119	-	-	398702119
20	100.00 [3.937]	95.00 [3.740]	398700120	398710120	398740120	398720120	398730120	-	-	398702120
21	105.00 [4.134]	100.00 [3.937]	398700121	398710121	398740121	398720121	398730121	-	-	398702121
22	110.00 [4.331]	105.00 [4.134]	398700122	398710122	398740122	398720122	398730122	-	-	398702122
23	115.00 [4.528]	110.00 [4.331]	398700123	398710123	398740123	398720123	398730123	-	-	398702123
24	120.00 [4.724]	115.00 [4.528]	398700124	398710124	398740124	398720124	398730124	-	-	398702124

"XX" CIRCUITS EQUALLY SPACED @ 5.00 [1.97]



SECT. Z-Z

NOTES:

1. MATERIAL: SEE TABLE
2. FINISHES: SEE TABLE
3. PRODUCT SPECIFICATION: NOT REQUIRED
4. MATES WITH: 87 SERIES HEADER.
5. INCH DIMS ARE SHOWN IN PARENTHESIS (XXX)
6. ALL DIMENSIONS TYPICAL UNLESS OTHERWISE SPECIFIED.
7. "XX" REFERS TO THE NUMBER OF CIRCUITS
8. FOR OPTIONAL IMPRINTING 10A AND 11A SEE DRAWING SD-38120-004.
9. FOR OPTIONAL IMPRINTING 11B SEE DRAWING SD-38120-006.

ITEM	QTY.	DESCRIPTION	MATERIAL	FINISH
4	XX	SLOTTED M3 X .5 SCREW	STEEL	ZINC PLATED
			BRASS	TIN PLATED
3	XX	CAGE	BRASS	NICKEL PLATED
2	XX	TERMINAL	PHOS BRONZE	TIN PLATED
				GOLD PLATED
1	1	PLUG	THERMOPLASTIC	SEE CHART

CORRECT DIMS EC NO: ETC2006-0263 DRAWN: CYRIL 2006/02/21 CHKD: ROBERTS 2006/02/21 APPR: ROBERTS 2006/02/23	QUALITY SYMBOLS	GENERAL TOLERANCES (UNLESS SPECIFIED)	DIMENSION STYLE	SCALE	DESIGN UNITS	THIRD ANGLE PROJECTION	
	$\nabla=0$ $\nabla=0$	mm ±.0015 INCH ±.005	MM/IN	4:1	INCH		
		4 PLACES ±.0015 ±.005 3 PLACES ±0.038 ±.005 2 PLACES ±0.13 ±.01 1 PLACE ±0.3 ±.--- ANGULAR ±1/2°	DRAWN BY W. HOWARD CHECKED BY R. STONE APPROVED BY P. WALTZ	DATE 2003/08/18 DATE 2003/08/25 DATE 2003/08/25	TITLE PLUGGABLE SR BTS ASSY, 5.00 [1.97] CENTERS		
		DRAFT WHERE APPLICABLE MUST REMAIN WITHIN DIMENSIONS	MATERIAL NO. SEE CHART DOCUMENT NO. SD-39870-003	MOLEX INCORPORATED			
			THIS DRAWING CONTAINS INFORMATION THAT IS PROPRIETARY TO MOLEX INCORPORATED AND SHOULD NOT BE USED WITHOUT WRITTEN PERMISSION			SHEET NO. 1 OF 1	

NUMBER OF CIRCUITS "XX"	DIM. "A"	DIM. "B"	BLACK (STD) MATERIAL NO.	BLACK (-G30 OPT) MATERIAL NO.	BLACK (-49 OPT) MATERIAL NO.	10A IMPRINT MATERIAL NO.	11A IMPRINT MATERIAL NO.	11B IMPRINT MATERIAL NO.	GRAY MATERIAL NO.	GREEN MATERIAL NO.
02	10.00 [1.394]	5.00 [1.197]	398700102	398710102	398740102	398720102	398730102	398790089	-	398702102
03	15.00 [1.591]	10.00 [1.394]	398700103	398710103	398740103	398720103	398730103	398790090	398790168	398702103
04	20.00 [1.787]	15.00 [1.591]	398700104	398710104	398740104	398720104	398730104	-	-	398702104
05	25.00 [1.984]	20.00 [1.787]	398700105	398710105	398740105	398720105	398730105	398790091	-	398702105
06	30.00 [1.181]	25.00 [1.984]	398700106	398710106	398740106	398720106	398730106	398790092	-	398702106
07	35.00 [1.378]	30.00 [1.181]	398700107	398710107	398740107	398720107	398730107	-	-	398702107
08	40.00 [1.575]	35.00 [1.378]	398700108	398710108	398740108	398720108	398730108	-	-	398702108
09	45.00 [1.772]	40.00 [1.575]	398700109	398710109	398740109	398720109	398730109	-	-	398702109
10	50.00 [1.969]	45.00 [1.772]	398700110	398710110	398740110	398720110	398730110	-	-	398702110
11	55.00 [2.165]	50.00 [1.969]	398700111	398710111	398740111	398720111	398730111	-	-	398702111
12	60.00 [2.362]	55.00 [2.165]	398700112	398710112	398740112	398720112	398730112	-	-	398702112
13	65.00 [2.559]	60.00 [2.362]	398700113	398710113	398740113	398720113	398730113	-	-	398702113
14	70.00 [2.756]	65.00 [2.559]	398700114	398710114	398740114	398720114	398730114	-	-	398702114
15	75.00 [2.953]	70.00 [2.756]	398700115	398710115	398740115	398720115	398730115	-	-	398702115
16	80.00 [3.150]	75.00 [2.953]	398700116	398710116	398740116	398720116	398730116	-	-	398702116
17	85.00 [3.346]	80.00 [3.150]	398700117	398710117	398740117	398720117	398730117	-	-	398702117
18	90.00 [3.543]	85.00 [3.346]	398700118	398710118	398740118	398720118	398730118	-	-	398702118
19	95.00 [3.740]	90.00 [3.543]	398700119	398710119	398740119	398720119	398730119	-	-	398702119
20	100.00 [3.937]	95.00 [3.740]	398700120	398710120	398740120	398720120	398730120	-	-	398702120
21	105.00 [4.134]	100.00 [3.937]	398700121	398710121	398740121	398720121	398730121	-	-	398702121
22	110.00 [4.331]	105.00 [4.134]	398700122	398710122	398740122	398720122	398730122	-	-	398702122
23	115.00 [4.528]	110.00 [4.331]	398700123	398710123	398740123	398720123	398730123	-	-	398702123
24	120.00 [4.724]	115.00 [4.528]	398700124	398710124	398740124	398720124	398730124	-	-	398702124

D VOID
BY SD-39870-003 REV. D
PER ETC2006-0088

EC NO. : DRAWN: CHK'K: APPRT:	DESCRIPTION	QUALITY SYMBOLS MAJOR CRITICAL SPC	GENERAL TOLERANCES: (UNLESS SPECIFIED)		SCALE	DESIGN UNITS	THIRD ANGLE PROJECTION	PROJECT NO. -	-	-
			mm	INCH	-	<input type="checkbox"/> mm <input checked="" type="checkbox"/> INCH	<input checked="" type="checkbox"/> THIRD ANGLE PROJECTION	SHT	REV	
REV			4 PLACES	±.0015	DRAWN BY & DATE W. HOWARD 08-18-03	TITLE: PLUGGABLE SR BTS ASSY. (5.00 [1.197] CENTERS)				
			3 PLACES	±.038	CHECKED BY & DATE R. STONE 08-25-03	MOLEX INCORPORATED				
			2 PLACES	±.13	APPROVED BY & DATE P. WALTZ 08-25-03	MATERIAL NO.	DRAWING NO.	SHEET NO.		
			1 PLACE	±.3	CAD FILENAME 8705XX	SEE CHART	SD-39870-003	2 OF 2		
			ANGULAR: ±2°		THIS DRAWING CONTAINS INFORMATION THAT IS PROPRIETARY TO MOLEX INCORPORATED AND SHOULD NOT BE USED WITHOUT WRITTEN PERMISSION.					SIZE B
			DRAFT WHERE APPLICABLE MUST REMAIN WITHIN DIMENSIONS							