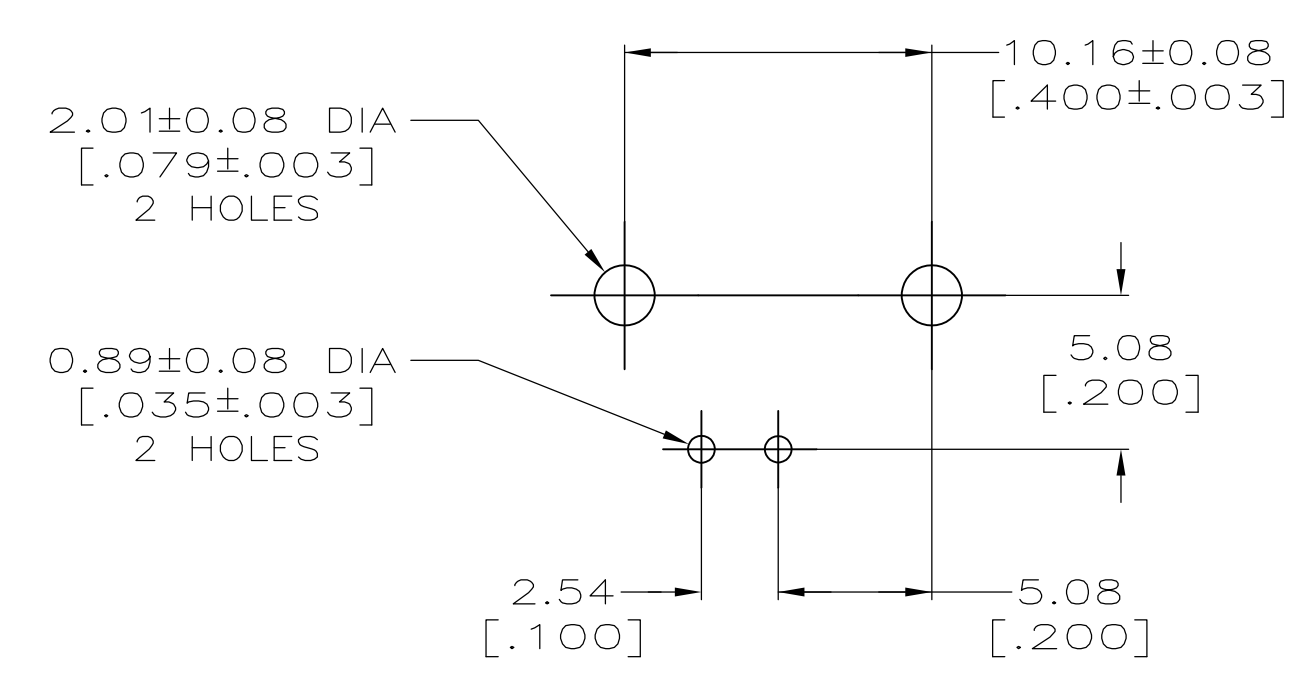
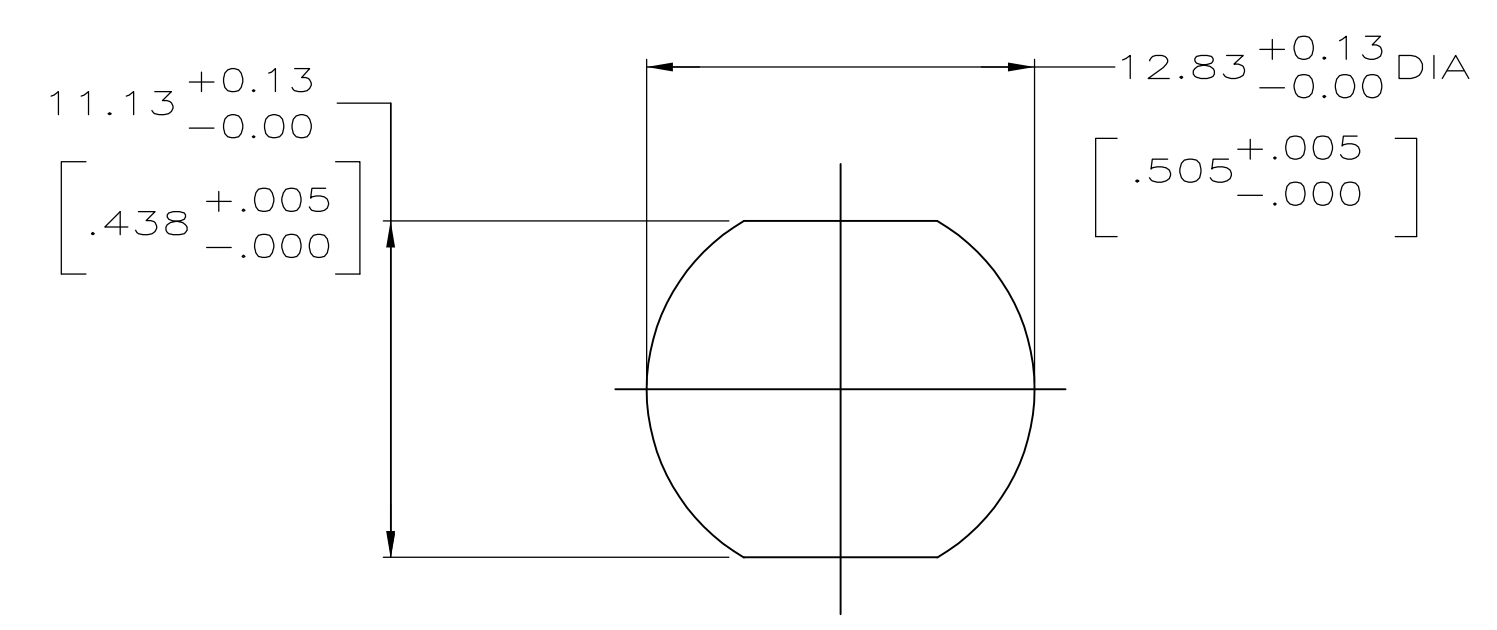
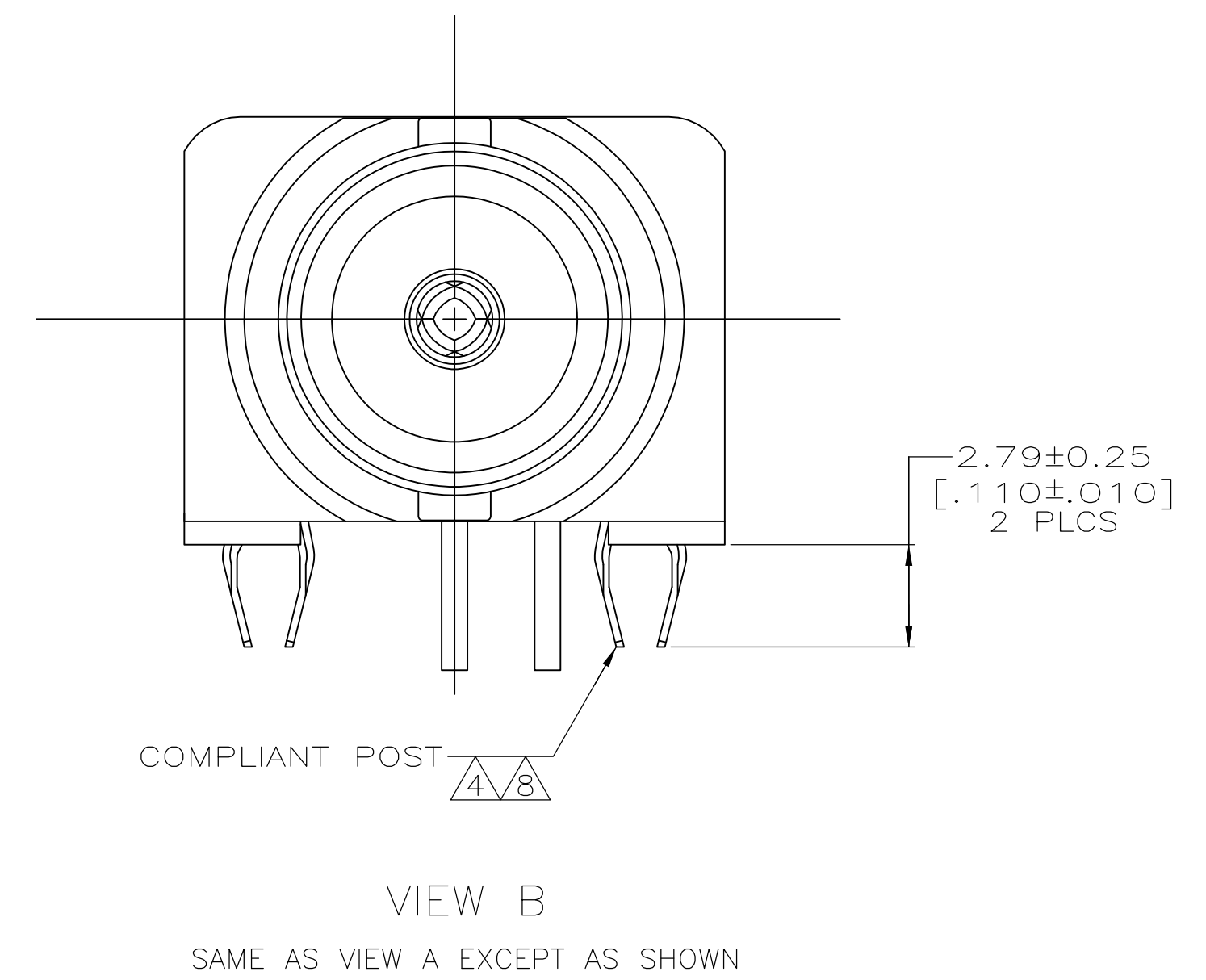
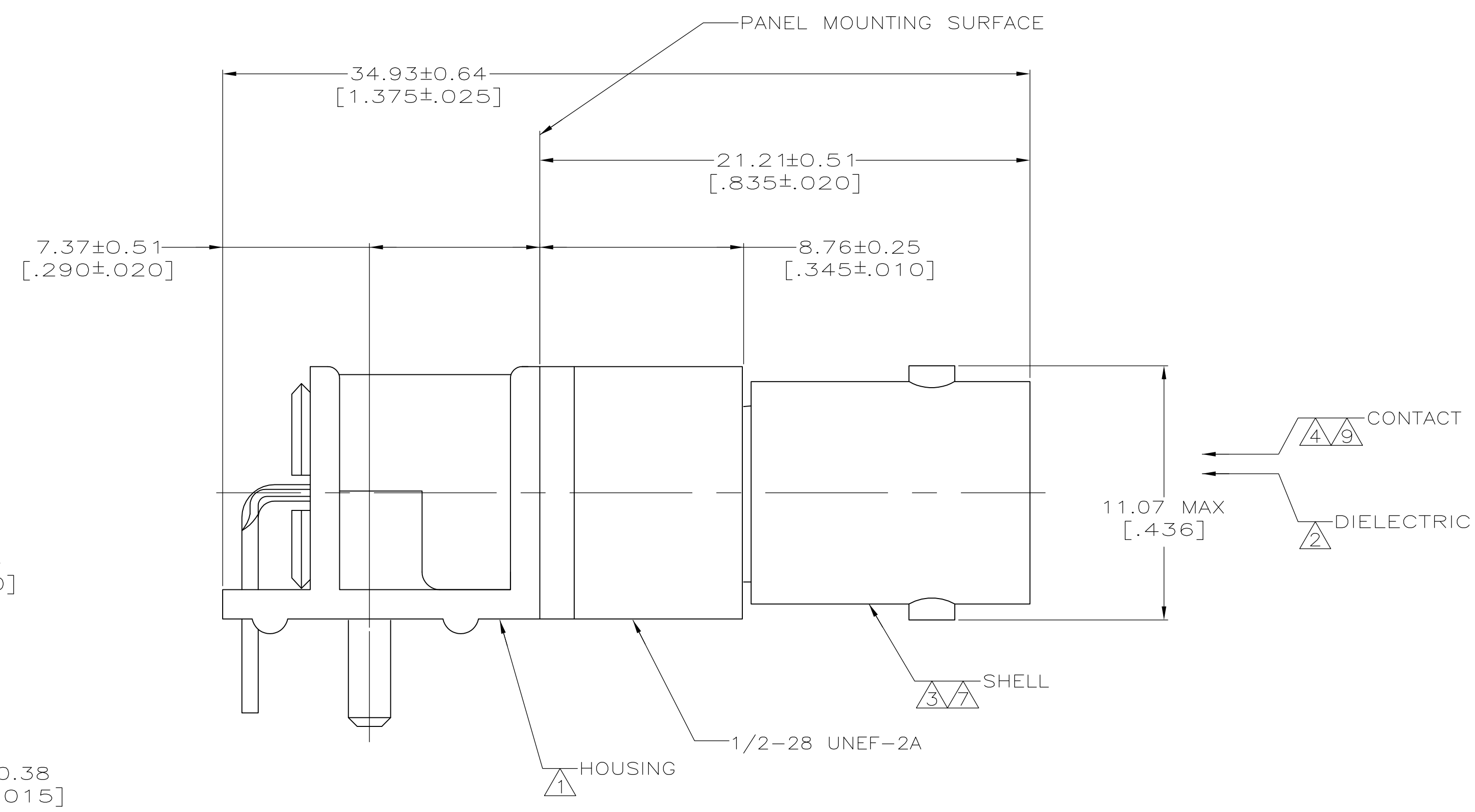
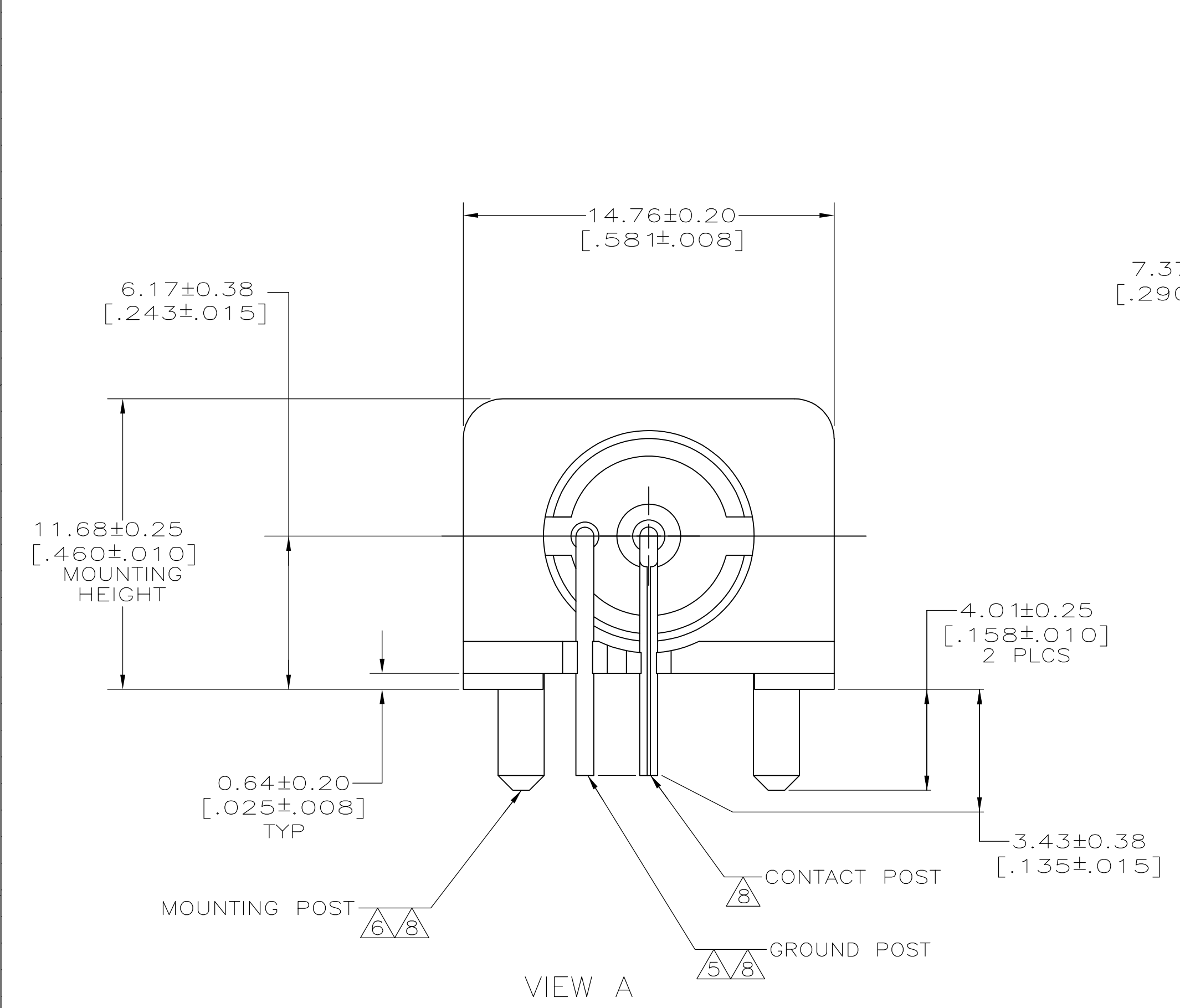


REVISONS		DATE	DWN	APVD
REV	PER	ECO 08-009474	7/22/2008	DW JL



- 1 POLYESTER PBT PER MIL-M-24519, TYPE GPT-15F, UL94V-0 RATED, COLOR:BLACK
- 2 POLYMETHYLPENTENE, GENERAL PURPOSE.
- 3 ZINC PER QQ-Z-363.
- 4 PHOSPHOR BRONZE PER QQ-B-750.
- 5 BRASS PER ASTM-B-453.
- 6 BRASS PER ASTM-B-16.
- 7 NICKEL PLATE PER QQ-N-290, 3.81 μm [.000150] MINIMUM THICK.
- 8 TIN PLATE PER ASTM-B-545, 3.81 μm [.000150] MINIMUM THICK.
- 9 GOLD PLATE PER ASTM-B-488, 0.08 μm [.000003] MINIMUM THICK.
10. SEE INSTRUCTION SHEET 408-2769.

B	5415105-2
A	5415105-1
VIEW	PART NUMBER

THIS DRAWING IS A CONTROLLED DOCUMENT.		DIN J. ALCORTA - 27APR2005 DOCK5		Tyco Electronics Corporation Harrisburg, PA 17105-3608	
DIMENSIONS: mm (INCHES)		TOLERANCES UNLESS OTHERWISE SPECIFIED:		APVD J. HAVENER 27APR2005	
0 PLC	± -	1 PLC	± -	NAME J. LIPPERT	
1 PLC	± -	2 PLC	± 0.05 [.002]	PRODUCT SPEC	
2 PLC	± -	3 PLC	± -	APPLICATION SPEC	
3 PLC	± -	4 PLC	± -	SIZE	
4 PLC	± -	ANGLES	± -	CAGE CODE	
MATERIAL SEE NOTES 1 THRU 6		FINISH SEE NOTES 7 THRU 10		DRAWING NO. A1 00779	
WEIGHT		RESTRICTED TO		SCALE 6:1	
CUSTOMER DRAWING		SHEET 1 OF 1		REV B	