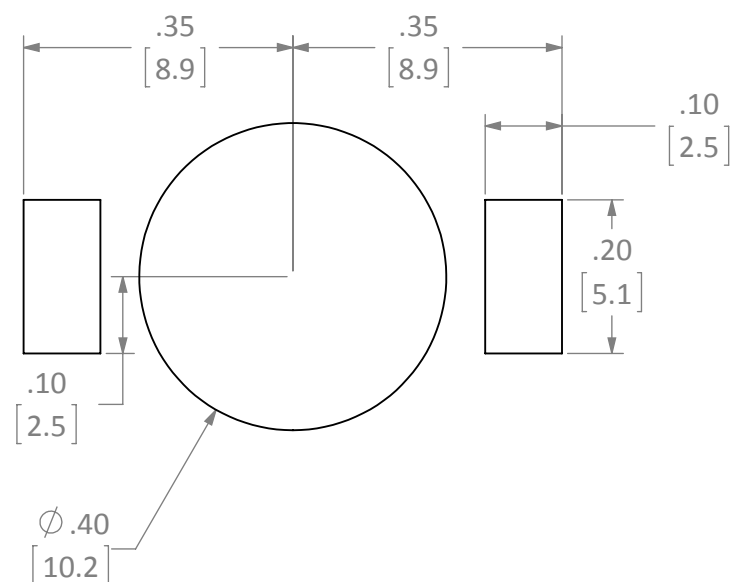
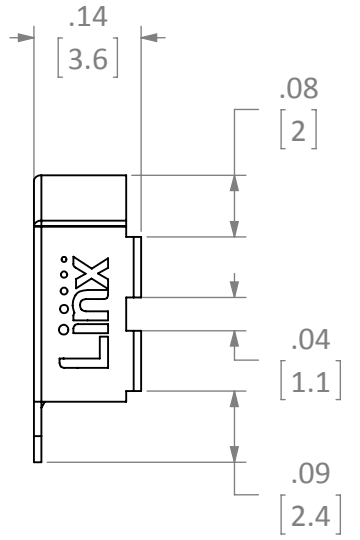
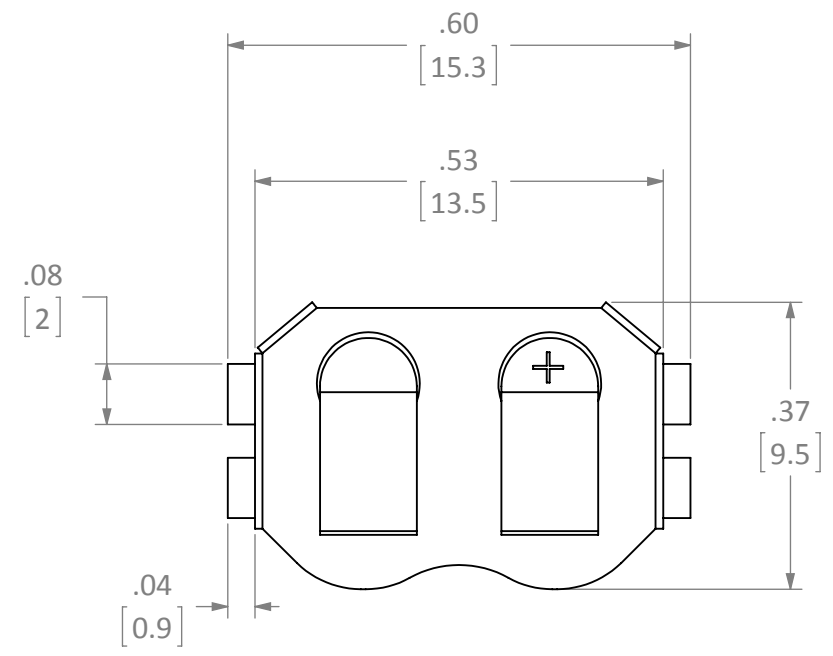
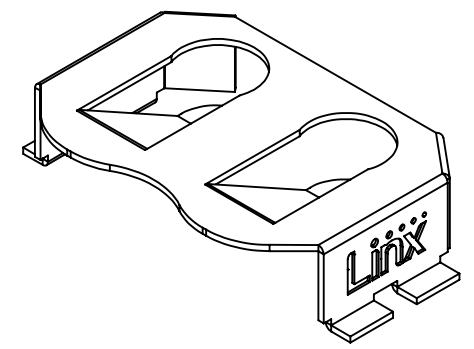


REVISIONS			
REV	DESCRIPTION	DATE	APPV
A	INITIAL RELEASE OF INTERNAL DOCUMENT	2-FEB-12	SAH
B	ADDED PART NUMBER TABLE AND SECOND SHEET; UPDATED NOTE 3	23-JUL-18	CLL



RECOMMENDED FOOTPRINT

- NOTES: (UNLESS OTHERWISE SPECIFIED)
1. ALL DIMENSIONS ARE IN INCHES [mm].
 2. DIMENSIONS APPLY AFTER FINISHING.
 3. MANUFACTURE TO BE COMPLIANT WITH EU RoHS DIRECTIVE, USE MATERIALS THAT DO NOT CONTAIN REACH SUBSTANCES OF VERY HIGH CONCERN >1000ppm, AND USE DRC CONFLICT-FREE SOURCED MATERIALS.
 4. SAFETY BREAK ALL SHARP CORNERS AND EDGES .02 MAXIMUM.

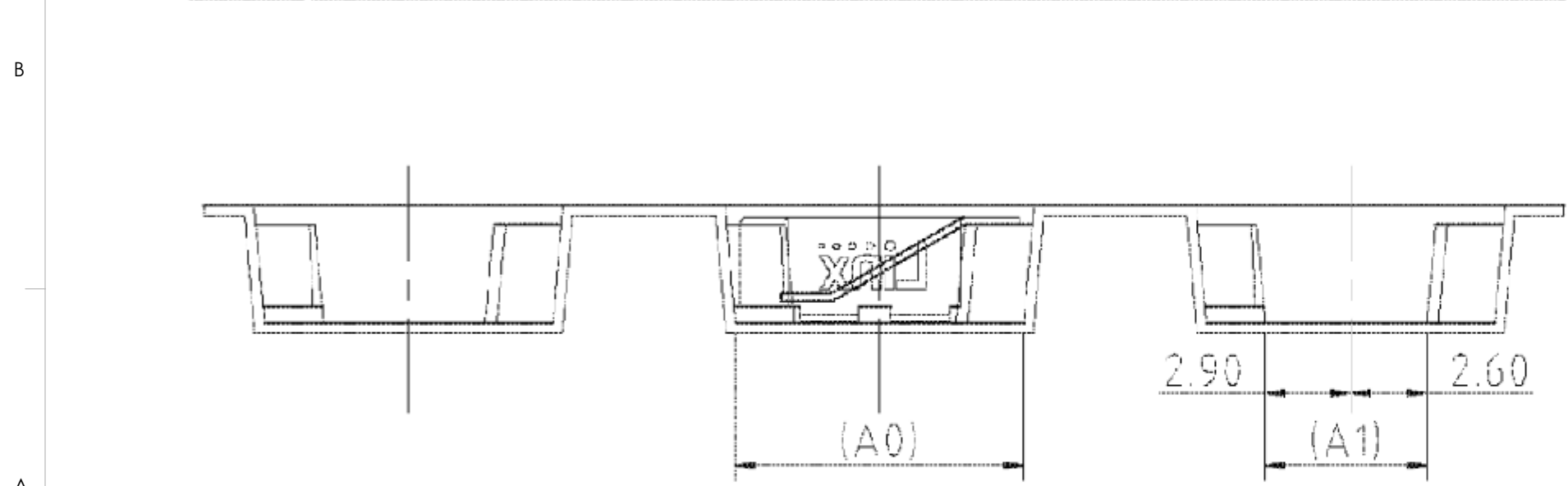
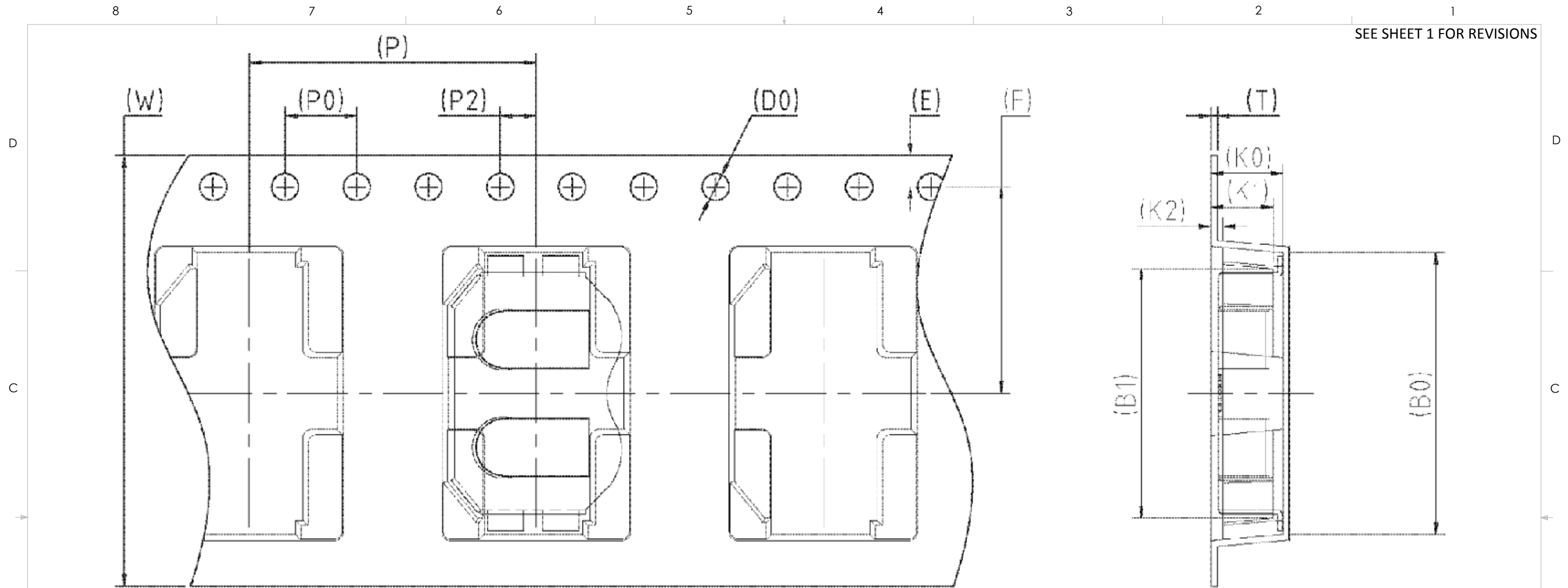


PART NUMBER	PACKAGING
BAT-HLD-012-SMT	BULK
BAT-HLD-012-SMT-TR	TAPE & REEL

WARNING: THIS DRAWING CONTAINS PROPRIETARY INFORMATION THAT IS THE SOLE PROPERTY OF LINX TECHNOLOGIES, AND SHALL BE TREATED AS SUCH. NO DISCLOSURE OR REPRODUCTION OF THIS DOCUMENT IS PERMITTED, IN WHOLE OR IN PART, WITHOUT THE EXPRESS WRITTEN PERMISSION OF LINX TECHNOLOGIES OR ITS DESIGNATED AGENTS.		159 ORT LANE MERLIN, OR 97532	
MATERIAL: INTERPRET DIMENSIONS AND TOLERANCES PER ASME Y14.5.		PROJECTION:	
SURFACE FINISH: $\sqrt{32}$ ANGLES: $\pm 1^\circ$		TITLE: CR1216,1225 HOLDER OUTLINE SURFACE MOUNT	
TOLERANCES: .X \pm .1 .XX \pm .01 .XXX \pm .005		SIZE: B	DWG. NO.: BAT-HLD-012-SMT-OTL
FINISH:	DRAWN: B.MURPHY DT: 2-FEB-12	SCALE: 4:1	REV: B
	ENGR: S.HOGAN DT: 2-FEB-12	DO NOT SCALE DRAWING	SHEET 1 OF 2

8 7 6 5 4 3 2 1

8 7 6 5 4 3 2 1 LDCDFB_C



- NOTES: (UNLESS OTHERWISE SPECIFIED)
1. ALL DIMENSIONS ARE IN MILLIMETERS [INCHES].
 2. 10 SPROCKET HOLE PITCH CUMULATIVE TOLERANCE ± 0.2 mm.
 3. MATERIAL: BLACK POLYSTYRENE.
 4. PACKING LENGTH PER 22" REEL: 51.0 m.
 5. COMPONENT LOAD PER 13" REEL: 1000.
 6. ANGLE TOLERANCE: $\pm 1^\circ$
 7. CARRIER CAMBER IS WITHIN 1 mm IN 250 mm.

W	24.00 \pm 0.30	P	16.00 \pm 0.10	A0	9.80 \pm 0.10	B0	15.70 \pm 0.10
S		P0	4.00 \pm 0.10	A1	5.50 \pm 0.10	B1	13.90 \pm 0.10
E	1.75 \pm 0.10	P2	2.00 \pm 0.10	A2		B2	
F	11.50 \pm 0.10	D0	$\phi 1.50^{+0.10}_{-0.00}$	K0	4.00 \pm 0.10	K2	0.65 \pm 0.10
T	0.35 \pm 0.05	D1		K1	3.45 \pm 0.10	COLOR: BK/ANT	

SIZE	DWG. NO.	REV
B	BAT-HLD-012-SMT-TR	B
SCALE: 4:1	DO NOT SCALE DRAWING	SHEET 2 OF 2