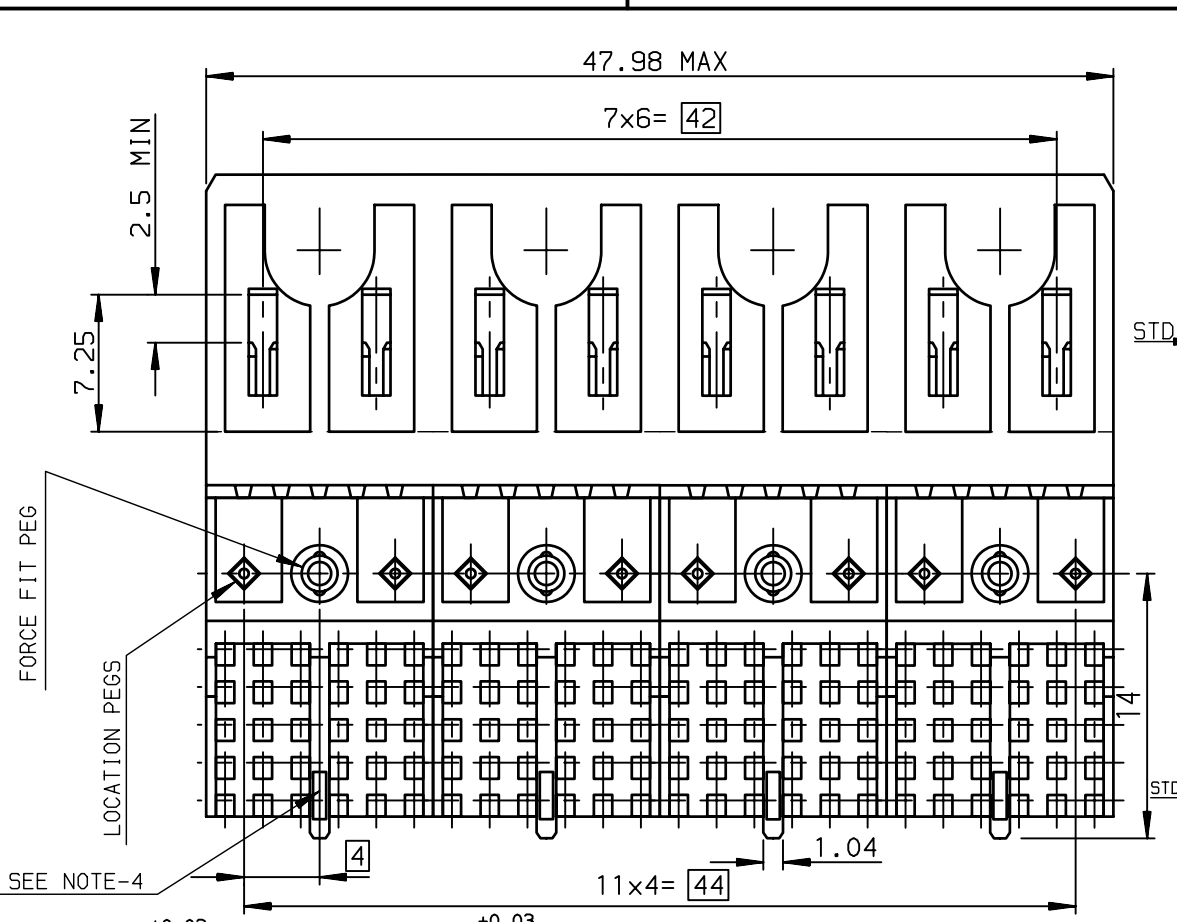
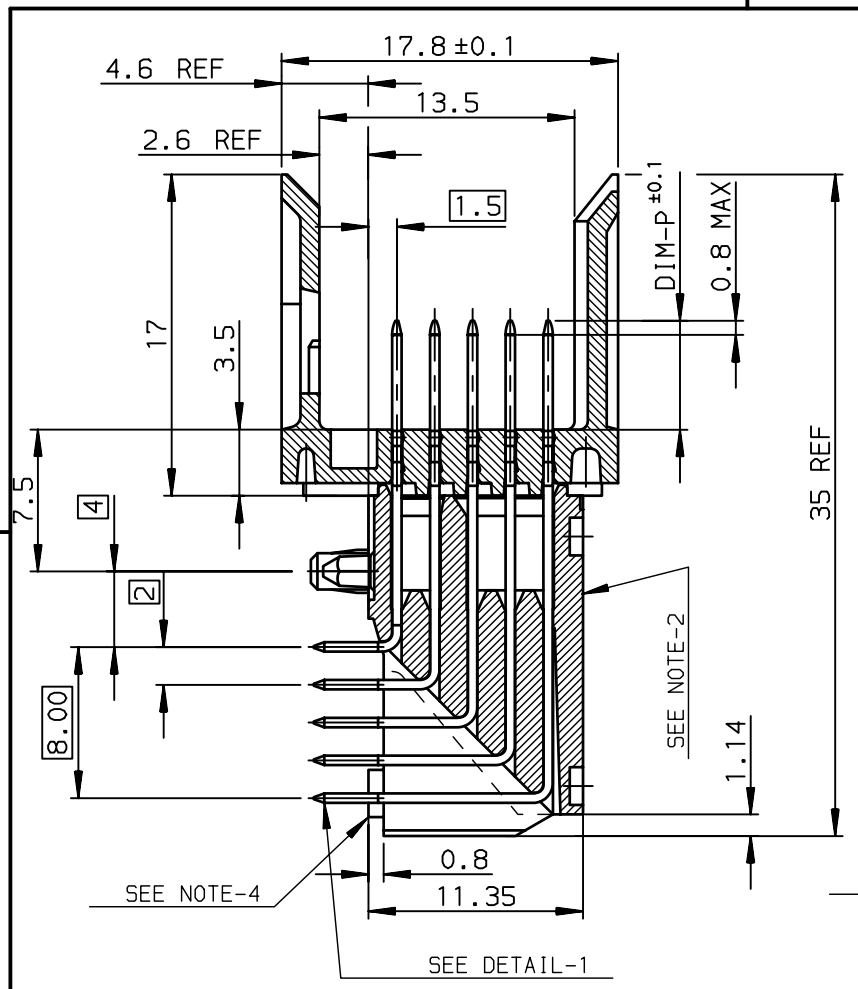


Copyright FCI. **FCI**



TIN LEAD PART NUMBER

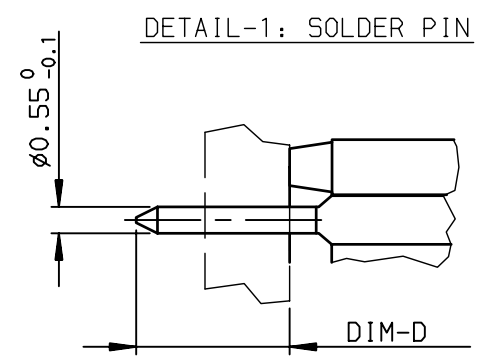
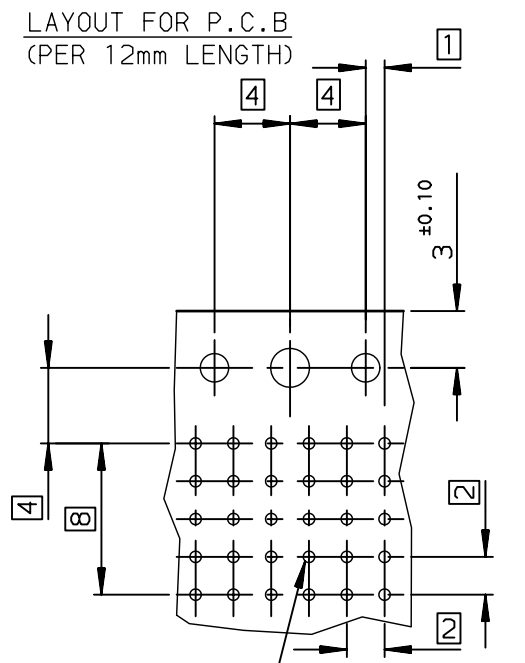
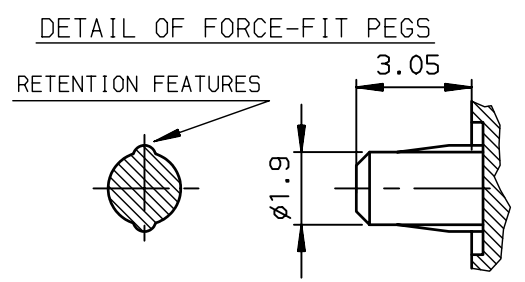
Part Number: HM1L53xyP000Hz

MATING LENGTH DIM-P / REPLACE 'x' BY:						TERMINATION LENGTH DIM-D	D=2.90 ± 0.3, replace y by A D=3.70 ± 0.3, replace y by B	
ROW-A	ROW-B	ROW-C	ROW-D	ROW-E				
A =	5.00	5.00	5.00	5.00	5.00			
L =	5.75	5.75	5.75	5.75	5.75			
D =	6.50	6.50	6.50	6.50	6.50			
B =	6.50	5.00	5.00	5.00	5.00			
C =	6.50	5.75	5.75	6.50	5.75			

LEAD FREE PART NUMBER

Part Number: HM1L53xyP000HzLF

MATING LENGTH DIM-P / REPLACE 'x' BY:						TERMINATION LENGTH DIM-D	D=2.90 ± 0.3, replace y by A D=3.70 ± 0.3, replace y by B	
ROW-A	ROW-B	ROW-C	ROW-D	ROW-E				
A =	5.00	5.00	5.00	5.00	5.00			
L =	5.75	5.75	5.75	5.75	5.75			
D =	6.50	6.50	6.50	6.50	6.50			
B =	6.50	5.00	5.00	5.00	5.00			
C =	6.50	5.75	5.75	6.50	5.75			



GENERAL CHARACTERISTICS AND ROHS INFORMATIONS:
SEE PRODUCT SPECIFICATION GS-12-446

NOTE-2: INSERTION IN PCB, HANDLING OR BENCH PRESS
NOTE-3: IF SUFFIX "P" IS ADDED IN P/N PACKAGING IS IN TRAYS BUT CONNECTOR MARKING IS WITHOUT "P"
EXAMPLE: HM1XXXXXXXXH6P, MARKED HM1XXXXXXXXH6
NOTE-4: REAR CENTRAL SUPPORT FOR BETTER ASSY ON PCB

European Views

www.fciconnect.com				surface ISO 1302 ✓	tolerance std ISO 406 ISO 1101	projection	mm
				TOLERANCES UNLESS OTHERWISE SPECIFIED		size A3	Scale 2.5
Dr	CHAMPION	1997/06/17	ANGULAR	0.X	± 0.1		
Eng	LENOIR	1997/06/17	LINEAR	0.XX	± 0.1		
Chr	LEGARE	1997/06/17	0.XX' ± 2'	0.XXX	± 0.1	ECN LS07-0184	
Appr	LEGARE	1997/06/17	Product family	METRAL		Spec ref -	
rev				ecn no		date	
B	-	MAS	2000/08/31				
C	LS05-001	MLE	2005/03/15				
D	LS06-0095	LGO	2006/07/10				
E	LS07-0184	MLE	2007/07/24				
Title				METRAL RA HEADER 5 ROW		Rev.	
catalog no				-		C-8626-0241	
						CUSTOMER sheet 1 of 1	

Hole according to product spec
GS-12-445 (For press-fit),
GS-12-446 (For STB)