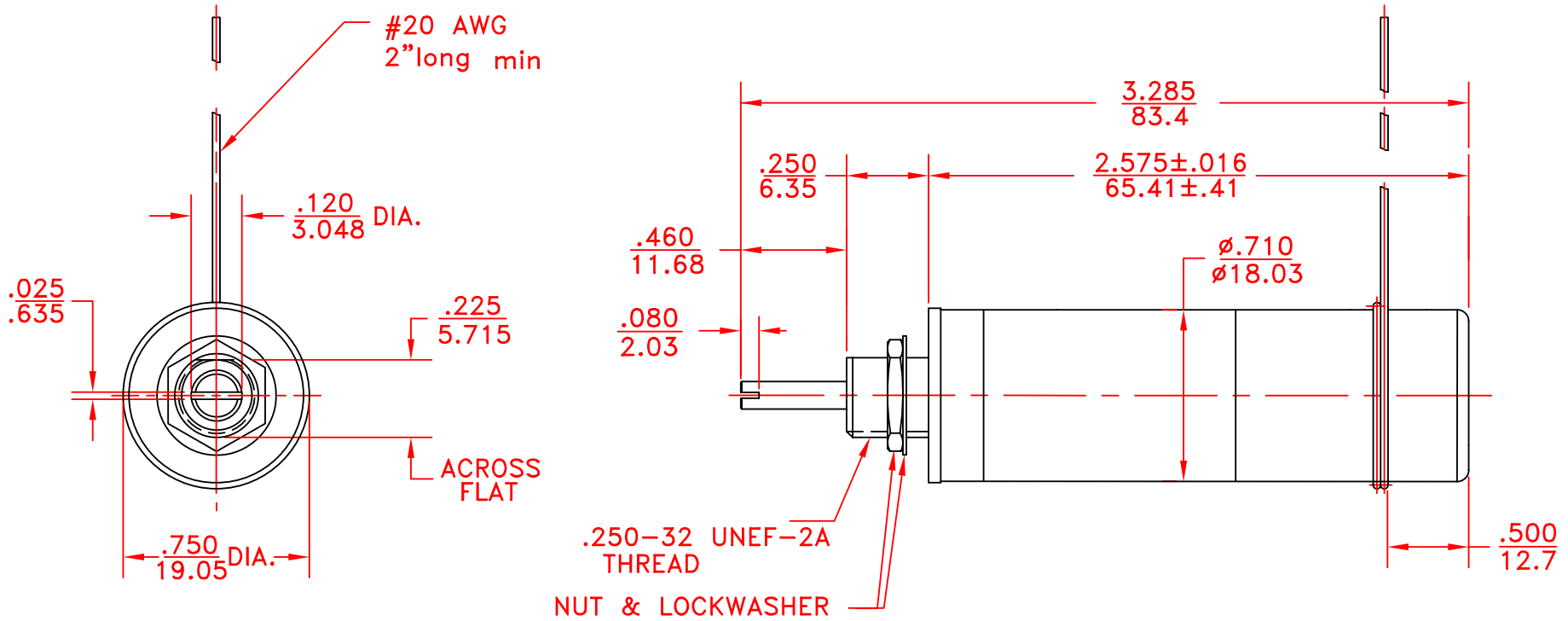


REV	DESCRIPTION	DATE	APP
00	NEW DWG	02/08/12	D.D.
01	ADDED NOTE 9; Q 500 WAS Q 650	03/29/12	D.D.



NOTES:

1. CAPACITANCE: $C_{max} \geq 100$ pF, $C_{min} \leq 10.0$ pF.
2. WORKING VOLTAGE : 6000 VDC.
3. WITHSTANDING VOLTAGE : 12000 VDC.
4. $Q \geq 500$ @ 25MHZ
5. TORQUE: 0.5 TO 5.0 oz-in.
6. OPERATING TEMPERATURE : $\leq 4^\circ K$ UP TO $125^\circ C$
7. CONSTRUCTION : NON MAGNETIC.
8. DIMENSIONS IN INCHES/MM.
9. ROTATIONAL LIFE: 10,000 TURNS

TOLERANCES: (EXCEPT AS NOTED)		SPRAGUE GOODMAN ELECTRONICS INC. 1700 SHAMES DRIVE WESTBURY, NY 11590	
DECIMAL: $\pm .002$ in $\pm .051$ mm	MATERIAL:	SCALE: NONE	DRAWN BY: R. LEVIN APPROVED: S. GRINBERG
FRACTIONAL: 1/64	TITLE: OUTLINE DWG SGNMNC31006EK		USED FOR:
ANGULAR: 1°	DATE: 02/08/12	DRAWING NUMBER SGNMNC31006EK	REV. 01