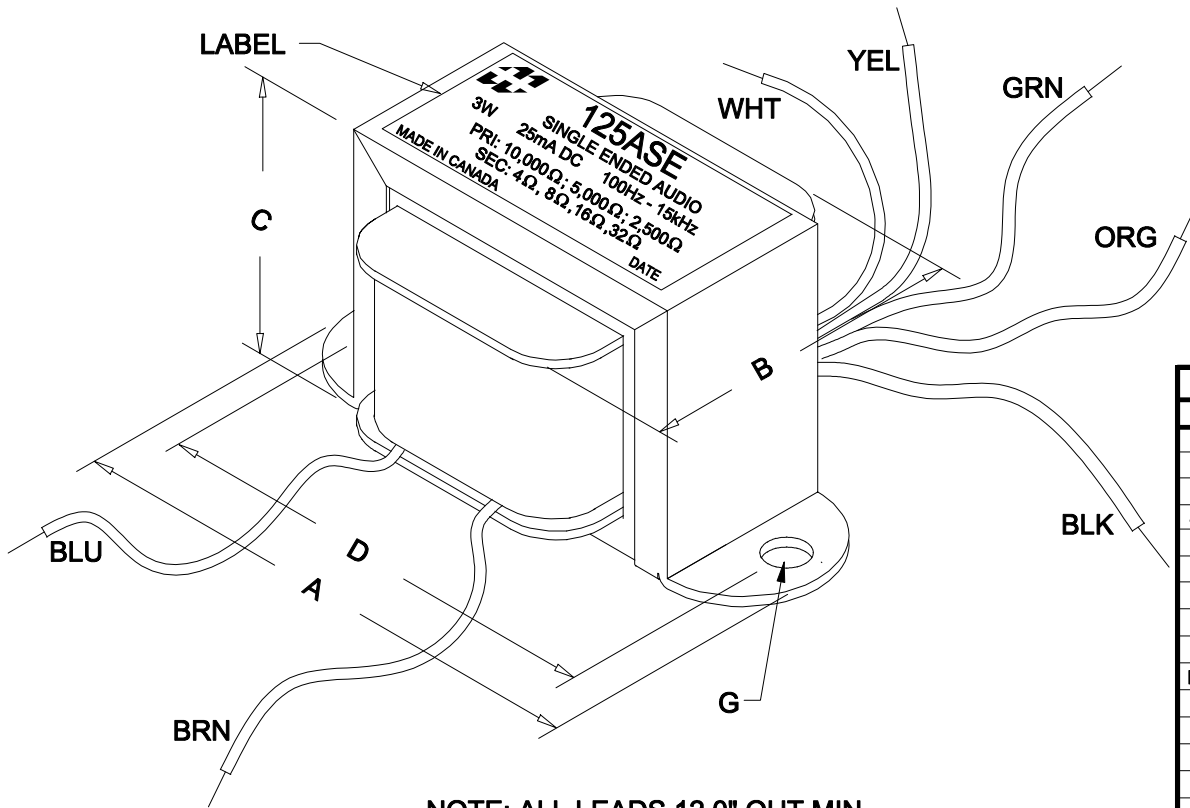
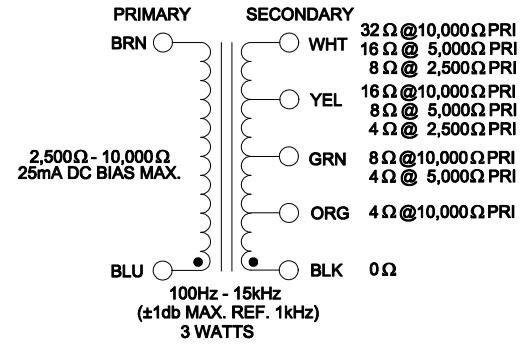


DIMENSIONS:	
A	2.813" ±0.063
B	1.468" ±0.125
C	1.688" ±0.063
D	2.375" ±0.063
G	0.187" ±0.015



NOTE: ALL LEADS 12.0" OUT MIN.



ELECTRICAL DATA:		
TESTS	CONDITIONS	ACCEPTANCE CRITERIA
Iex	@ 173.2V, 60Hz, BLU - BRN	20mA - 32mA
Sec. N.L.V	@ 173.2V, 60Hz, BLU - BRN	
	BLK - ORG =	3.511V ±2%
	BLK - GRN =	4.916V ±2%
	BLK - YEL =	6.935V ±2%
	BLK - WHT =	9.832V ±2%
DCR	@ 20°C, BLU - BRN =	241.7 Ω ±20%
	@ 20°C, BLK - ORG =	0.229 Ω ±20%
	@ 20°C, BLK - GRN =	0.323 Ω ±20%
	@ 20°C, BLK - YEL =	0.463 Ω ±20%
	@ 20°C, BLK - WHT =	0.670 Ω ±20%
HIPOT	PRIMARY - SECONDARY	1500V, 60Hz, 1 SEC

REV.#	REVISION	DATE
0	RELEASED. C.I.	01/12/16



ELECTRONIC DIVISION
52 RANKIN PLACE,
WATERLOO, ONTARIO, N2J 3Z5

PH # (519) 886-6181
FAX # (519) 886-9540

DWG. BY: C. ILIE	CHK'D BY:
DATE: 01/12/16	APP'D. BY:
	DIMENSIONS: IN(X) MM()

TITLE: SINGLE ENDED
AUDIO TRANSFORMER

DWG. NO.
125ASE