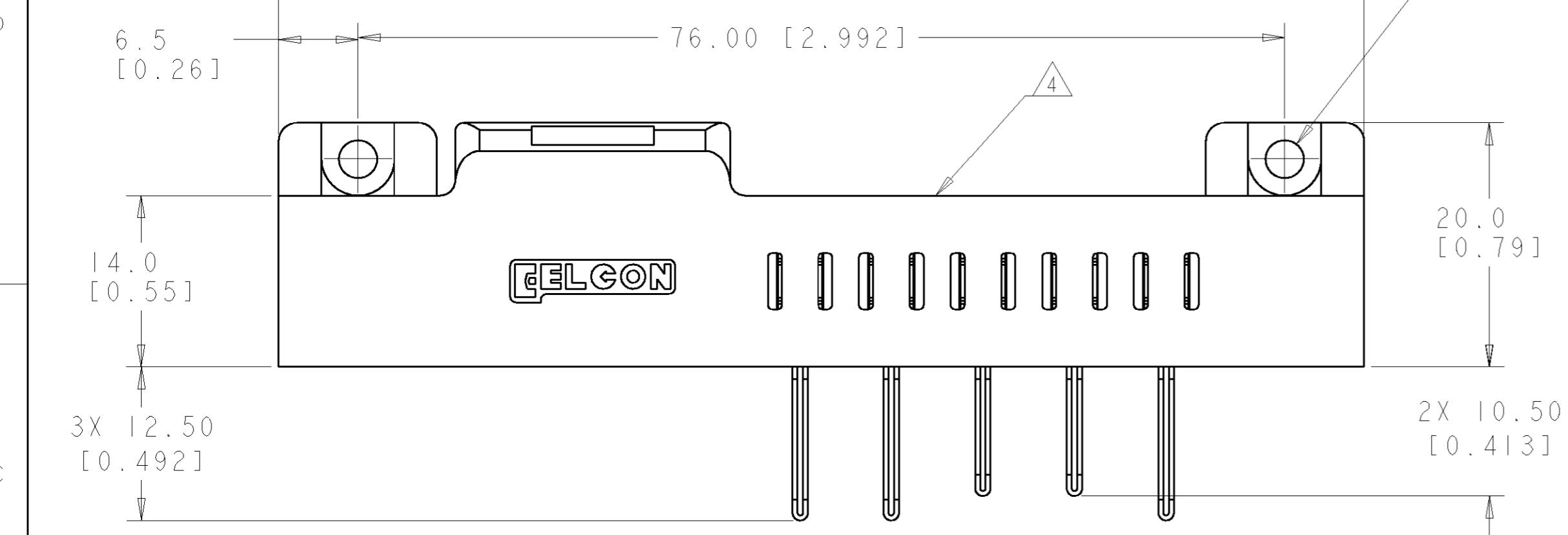


THIS DRAWING IS UNPUBLISHED. RELEASED FOR PUBLICATION 20
 © COPYRIGHT 20 BY TYCO ELECTRONICS CORPORATION. ALL RIGHTS RESERVED.

LOC	DIST	REVISIONS					
GP	00	P	LTR	DESCRIPTION	DATE	DWN	APVD
		A		NEW RELEASE	15MAR2007	RG	SF



- PART NUMBER CHANGES AND OR DESIGN CHANGES AFFECTING ITEM INTERCHANGEABILITY REQUIRE PRIOR TYCO APPROVAL AND AUTHORIZATION BY REVISION TO THIS DRAWING.
- MATERIAL:
 INSULATORS - THERMOPLASTIC, GLASS REINFORCED, UL94V-0 FLAMMABILITY RATED. COLOR: BLACK
 CROWN BAND HOLDER - PHOSPHOR BRONZE ALLOY, BERYLLIUM COPPER ALLOY
 SIGNAL CONTACTS - BRASS ALLOY
- FINISH:
 CONTACTS - GOLD PLATE 0.76µm MIN. THK., OVER NICKEL 1.27µm MIN. THK.,
 SOLDER TAILS TIN 3.05µm MIN. THK. OVER NICKEL 1.27µm MIN THK.

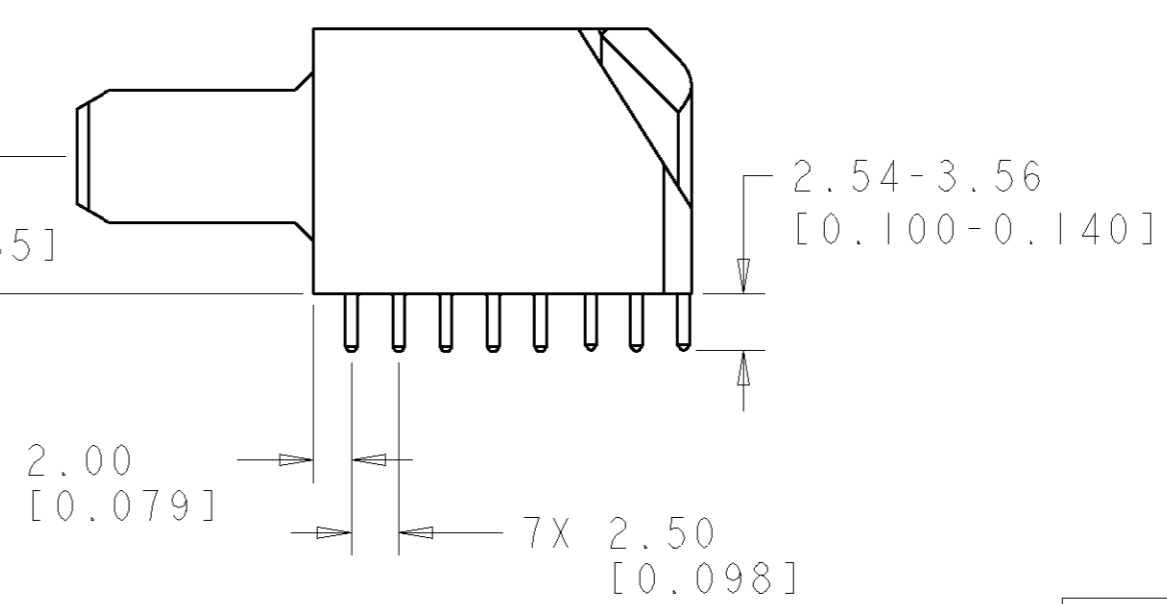
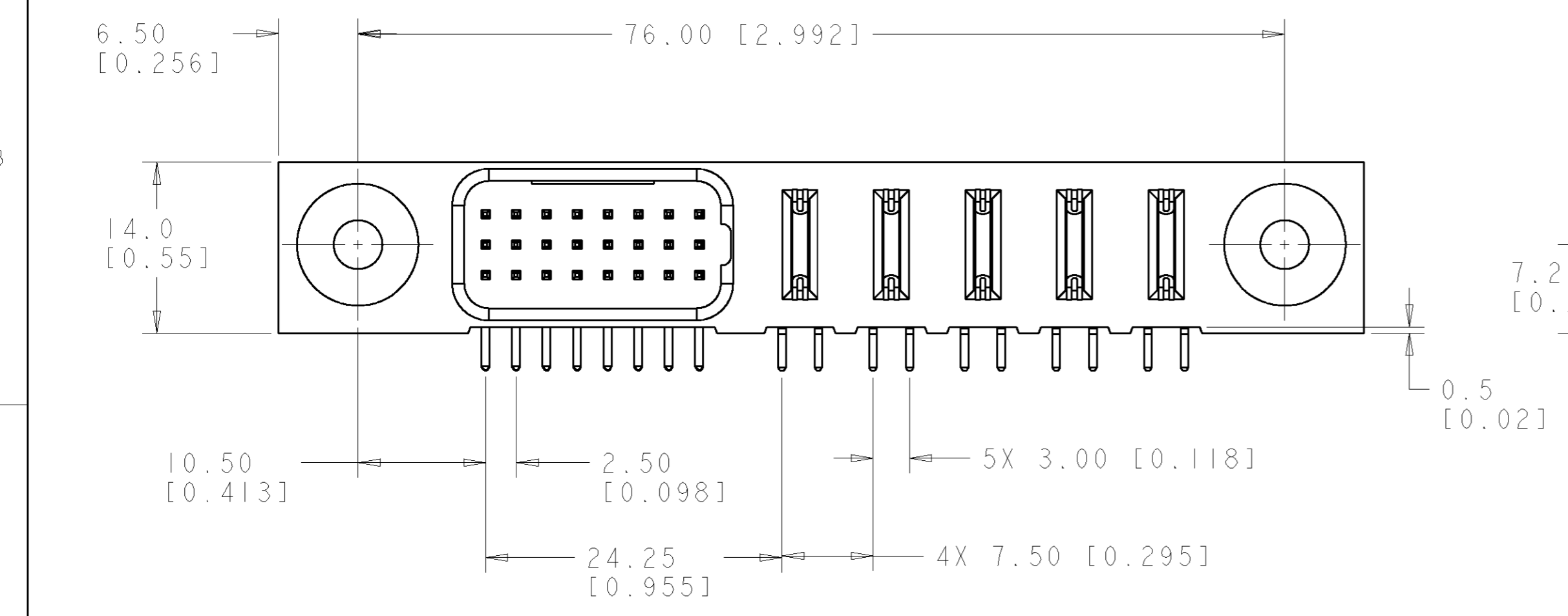
△ ITEMS PROVIDED TO THIS SPECIFICATION TO BE PERMANENTLY IDENTIFIED PER THE FOLLOWING IDENTIFIER LABEL

YEAR WEEK

TYCO PART NO. DATE CODE (e.g. 0106)

XXXXXXXX-X XXXX

△ MOUNTING FLANGES ACCEPTS M3 OR #4-40 SCREWS (USER SUPPLIED)



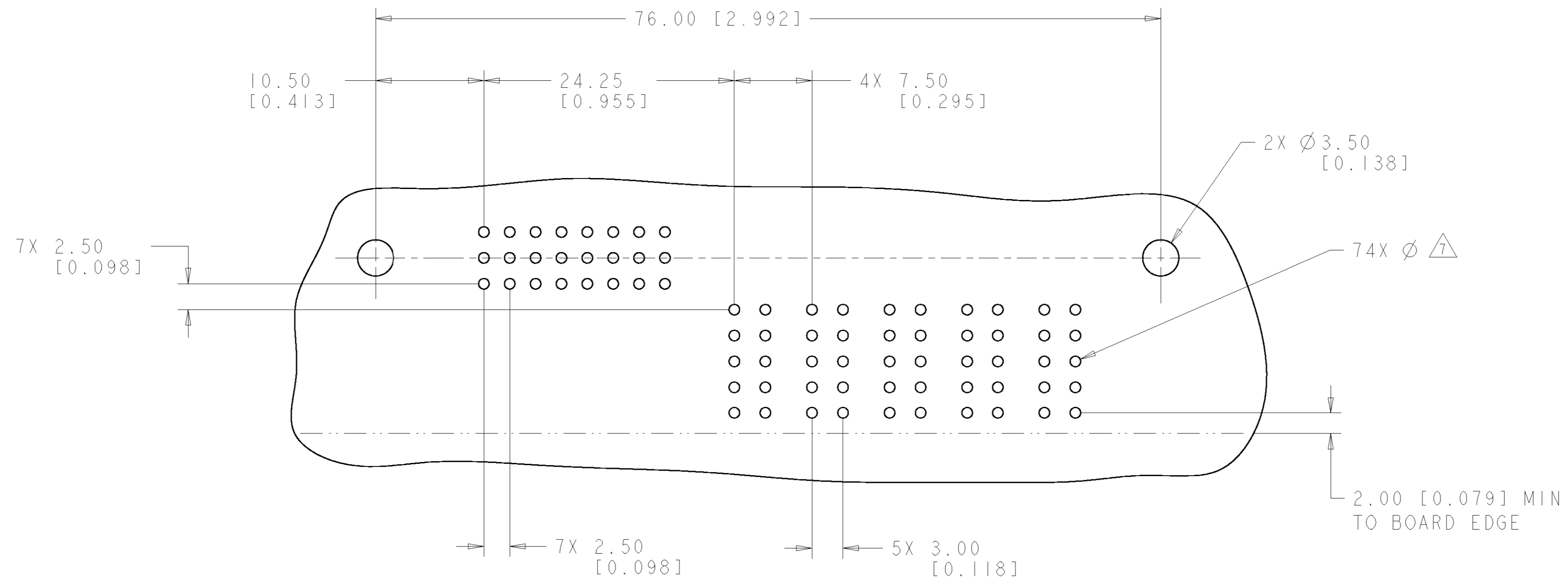
AS SHOWN	6648027-1
DESCRIPTION	PART NUMBER

THIS DRAWING IS A CONTROLLED DOCUMENT FOR TYCO ELECTRONICS CORPORATION. IT IS SUBJECT TO CHANGE AND THE CONTROLLING ENGINEERING ORGANIZATION SHOULD BE CONTACTED FOR THE LATEST REVISION.		DWN R. GRZYBOWSKI 15MAR2007	Tyco Electronics Harrisburg, PA 17105-3608
DIMENSIONS: mm [INCHES]		CHK S. FLICKINGER 15MAR2007	
TOLERANCES UNLESS OTHERWISE SPECIFIED:		APVD S. FLICKINGER 15MAR2007	
0 PLC ±.3 [0.012] 1 PLC ±.3 [0.012] 2 PLC ±.15 [0.006] 3 PLC ±. 4 PLC ±. ANGLES ±.5 FINISH		PRODUCT SPEC -	
MATERIAL -		APPLICATION SPEC -	NAME PIN CONNECTOR, RIGHT ANGLE SOLDER TAIL FLATPAQ
		WEIGHT -	SIZE A2
		CUSTOMER DRAWING	CAGE CODE 00779
			DRAWING NO. 6648027
			RESTRICTED TO -
			SCALE 3:1 SHEET 1 OF 3 REV A

ELCON FLATPAQ

THIS DRAWING IS UNPUBLISHED. RELEASED FOR PUBLICATION 20
 © COPYRIGHT 20 BY TYCO ELECTRONICS CORPORATION. ALL RIGHTS RESERVED.

LOC	DIST	REVISIONS					
GP	00	P	LTR	DESCRIPTION	DATE	DWN	APVD
		-		SEE SHEET 1	-	-	-



PRINTED CIRCUIT LAYOUT
 COMPONENT SIDE

CONNECTOR	CATALOG MODULE #	SIZE NO.	CONTACT QTY	MATING PIN	MAX. CURRENT (PER CONTACT)	CONTACT SPACING	VOLTAGE RATING
PIN	FP711	8	5	1.25 X 7.00 [.049 X .276]	35 amps	7.50 [.2953]	250
		22	24	.64 [.025] SQ.	3 amps	2.50 [.0984]	125 VOLTS

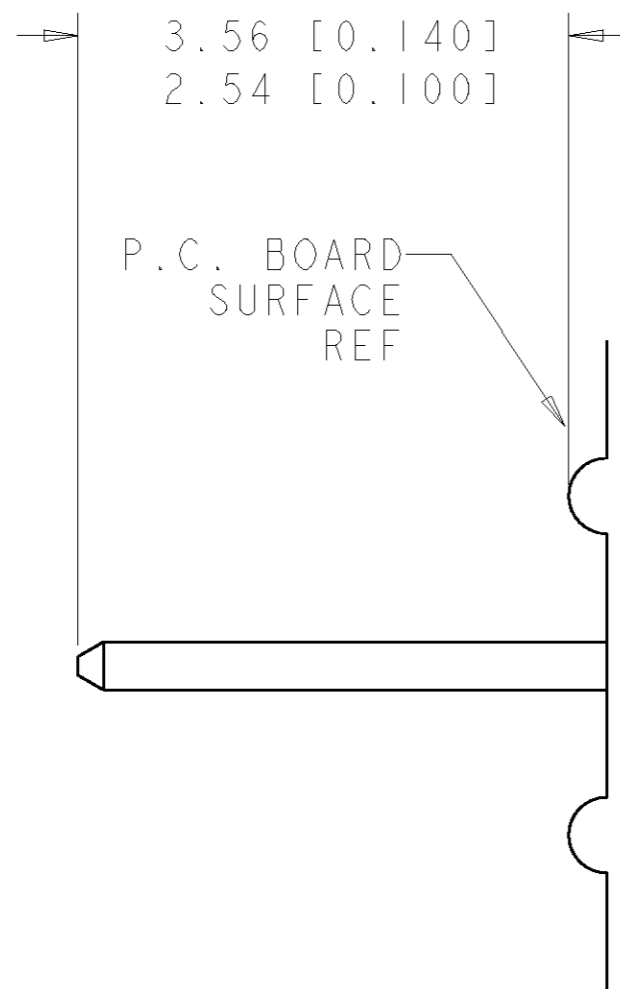
GUIDE SOCKET, RIGHT ANGLE

<small>THIS DRAWING IS A CONTROLLED DOCUMENT FOR TYCO ELECTRONICS CORPORATION. IT IS SUBJECT TO CHANGE AND THE CONTROLLING ENGINEERING ORGANIZATION SHOULD BE CONTACTED FOR THE LATEST REVISION.</small>		DWN R. GRZYBOWSKI 15MAR2007 CHK S. FLICKINGER 15MAR2007 APVD S. FLICKINGER 15MAR2007	tyco Tyco Electronics Harrisburg, PA 17105-3608
DIMENSIONS: mm [INCHES]	TOLERANCES UNLESS OTHERWISE SPECIFIED: 0 PLC ± .3 [.012] 1 PLC ± .15 [.006] 2 PLC ± .15 [.006] 3 PLC ± .15 [.006] 4 PLC ± .15 [.006] ANGLES ± 5	NAME: PIN CONNECTOR, RIGHT ANGLE SOLDER TAIL FLATPAQ	SIZE: A2 CAGE CODE: 00779 DRAWING NO: G-6648027
MATERIAL	FINISH	WEIGHT	RESTRICTED TO
-	-	-	-
CUSTOMER DRAWING		SCALE: 3:1	SHEET 2 OF 3 REV A

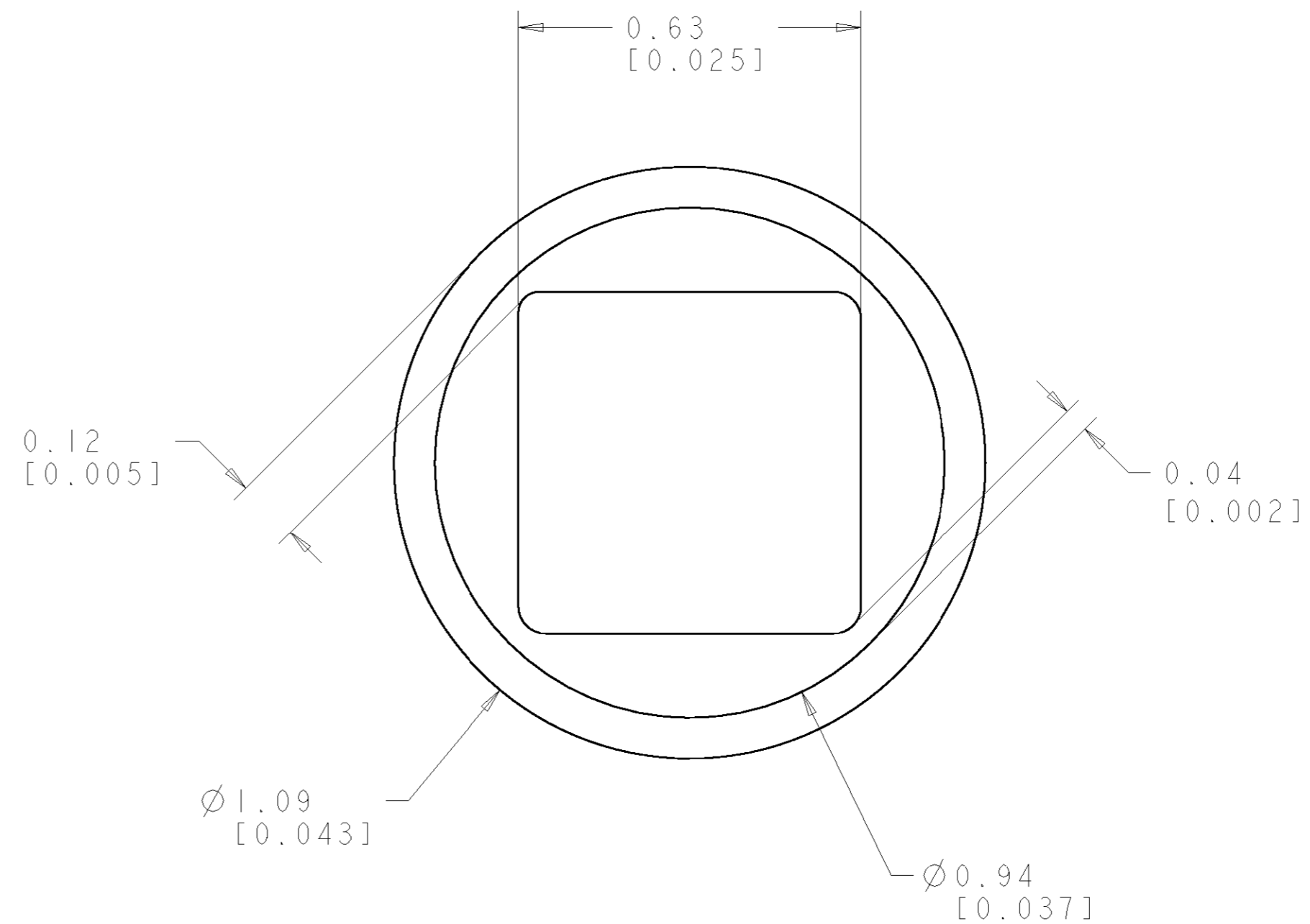
ELCON FLATPAQ

THIS DRAWING IS UNPUBLISHED. RELEASED FOR PUBLICATION 20
 © COPYRIGHT 20 BY TYCO ELECTRONICS CORPORATION. ALL RIGHTS RESERVED.

LOC	DIST	REVISIONS			
P	LTR	DESCRIPTION	DATE	DWN	APVD
GP	00	-	SEE SHEET 1	-	-



6. SOLDER TAIL DETAIL
SCALE 10 : 1



7. SOLDER TERMINATION AREA
SCALE 40:1

RECOMMENDED PRINTED CIRCUIT SOLDER HOLE
 FINISHED HOLE: Ø1.02 [.040] ±.08 [.003]
 DRILLED HOLE: Ø1.15 [.0453] ±.013 [.0005]
 COPPER PLATE: .025 [.0010] MIN.
 TIN PLATE: .008 [.0003] MIN. (PER SURFACE)

<small>THIS DRAWING IS A CONTROLLED DOCUMENT FOR TYCO ELECTRONICS CORPORATION IT IS SUBJECT TO CHANGE AND THE CONTROLLING ENGINEERING ORGANIZATION SHOULD BE CONTACTED FOR THE LATEST REVISION.</small>		DWN R. GRZYBOWSKI 15MAR2007 CHK S. FLICKINGER 15MAR2007 APVD S. FLICKINGER 15MAR2007	tyco Tyco Electronics Electronics Harrisburg, PA 17105-3608
DIMENSIONS: mm [INCHES]	TOLERANCES UNLESS OTHERWISE SPECIFIED: 0 PLC ±. 1 PLC ±.3 [.012] 2 PLC ±.15 [.006] 3 PLC ±. 4 PLC ±. ANGLES ±.5 FINISH	NAME PRODUCT SPEC APPLICATION SPEC WEIGHT	PIN CONNECTOR, RIGHT ANGLE SOLDER TAIL FLATPAQ SIZE CAGE CODE DRAWING NO RESTRICTED TO A200779 C-6648027 -
MATERIAL -		CUSTOMER DRAWING	SCALE 3:1 SHEET 3 OF 3 REV A