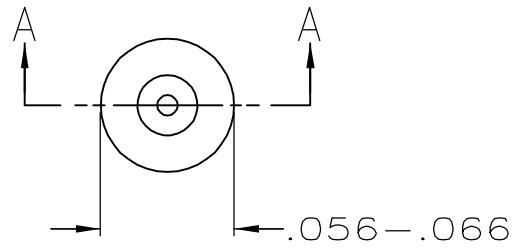
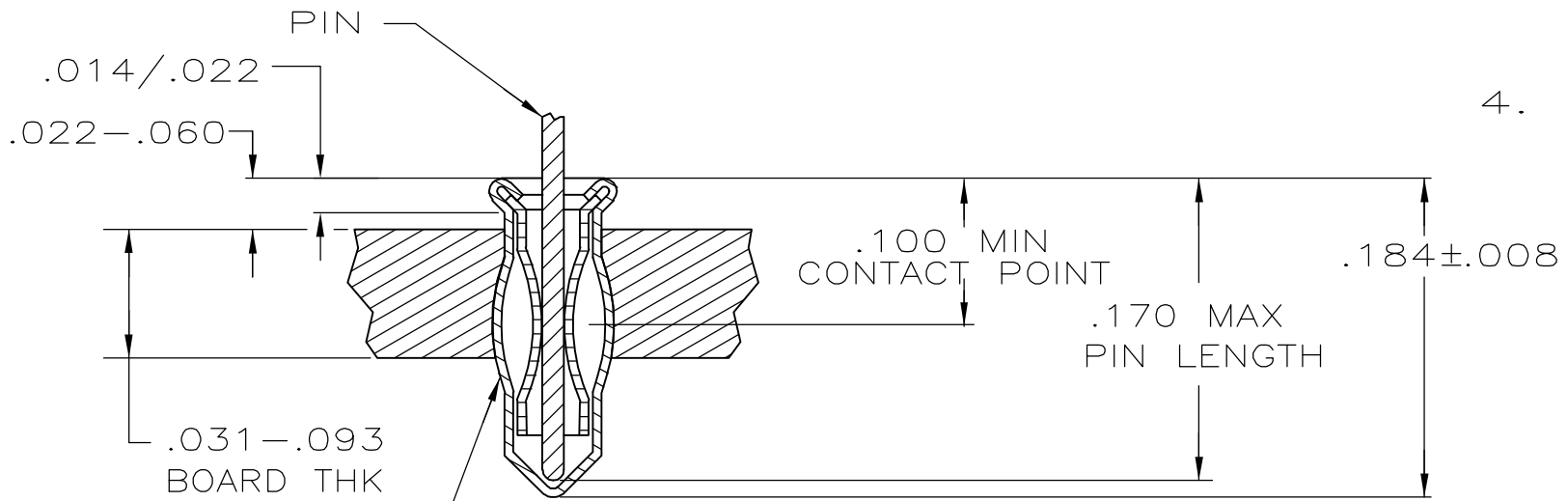


LOC	DIST	REVISIONS					
AG	53	P	LTR	DESCRIPTION	DATE	DWN	APVD
			F1	REVISED PER ECO-06-018765	13APR07	DH	DB



- MATERIAL:
 EYELET - COPPER (QQ-C-576)
 SPRING - BERYLLIUM COPPER (QQ-C-533)
- PLATING:
 TIN (MIL-T-10727) .000150 MIN THK
 GOLD (MIL-G-45204) .000030 MIN THK OVER NICKEL
 (QQ-N-290) .000011 MIN THK ON CONTACT AREA.
- TO INSURE 1/2 OZ MIN RETENTION DO NOT EXCEED .004 DIFFERENCE IN PIN DIA WHEN CHANGING TO A SMALLER DIA PIN
- HOLE SIZE FOR HAND INSERTION 0.043-0.046



INSERTION MACHINE CAPABLE OF OVALIZING SOCKET FOR RETENTION IN PC BOARD WITH .042±.003 DIA HOLE PRIOR TO SOLDERING OPERATION.

SECTION A-A

OBSOLETE	.100/.170	.012/.021	GOLD	TIN	645946-2
			TIN		645946-1
	LENGTH	DIA	SPRING	EYELET	PART NO
	PIN		FINISH		
	NO. 1 SERIES LONG				

THIS DRAWING IS A CONTROLLED DOCUMENT.		DWN	M. BOWERS	12-10-82	AMP Incorporated Harrisburg, PA 17105-3608
DIMENSIONS: INCHES		CHK	P. MUTZABAUGH	6-10-85	
		APVD	G.D. MILLER	6-10-85	
TOLERANCES UNLESS OTHERWISE SPECIFIED:		PRODUCT SPEC		NAME	
0 PLC ±- 1 PLC ±- 2 PLC ±- 3 PLC ±- 4 PLC ±- ANGLES ±-		APPLICATION SPEC		MINIATURE SPRING SOCKET ASSEMBLY	
MATERIAL	-	WEIGHT	-	SIZE	A3
FINISH	-	CUSTOMER DRAWING		CAGE CODE	00779
				DRAWING NO	C- 645946
				RESTRICTED TO	-
				SCALE	NTS
				SHEET	1 OF 1
				REV	F1