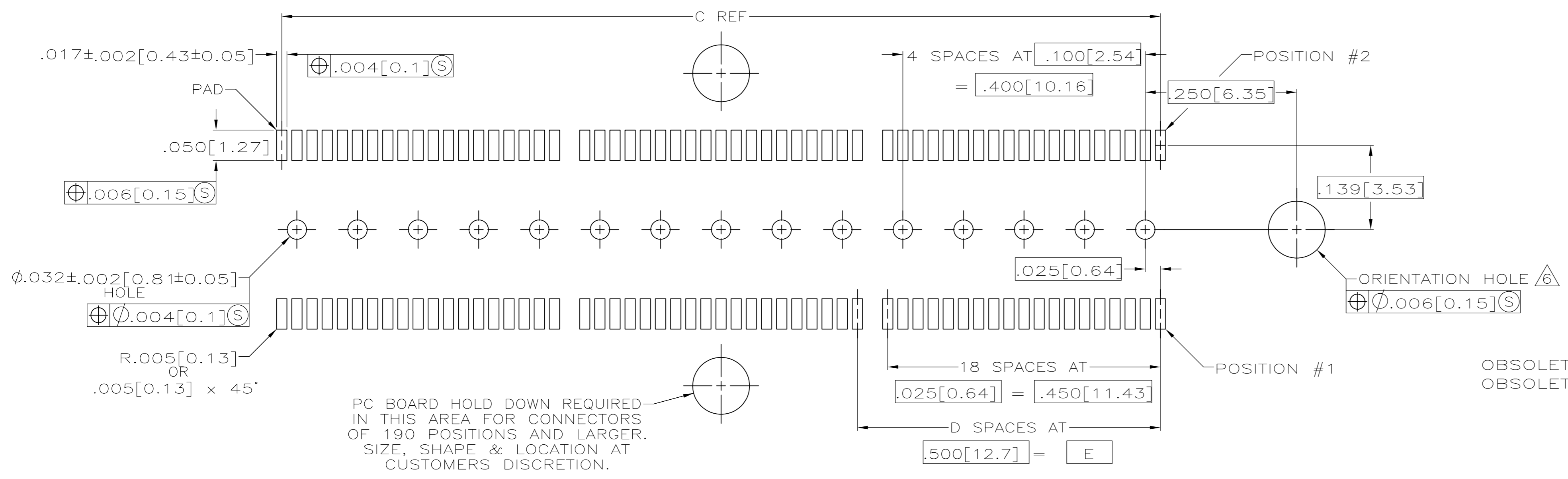
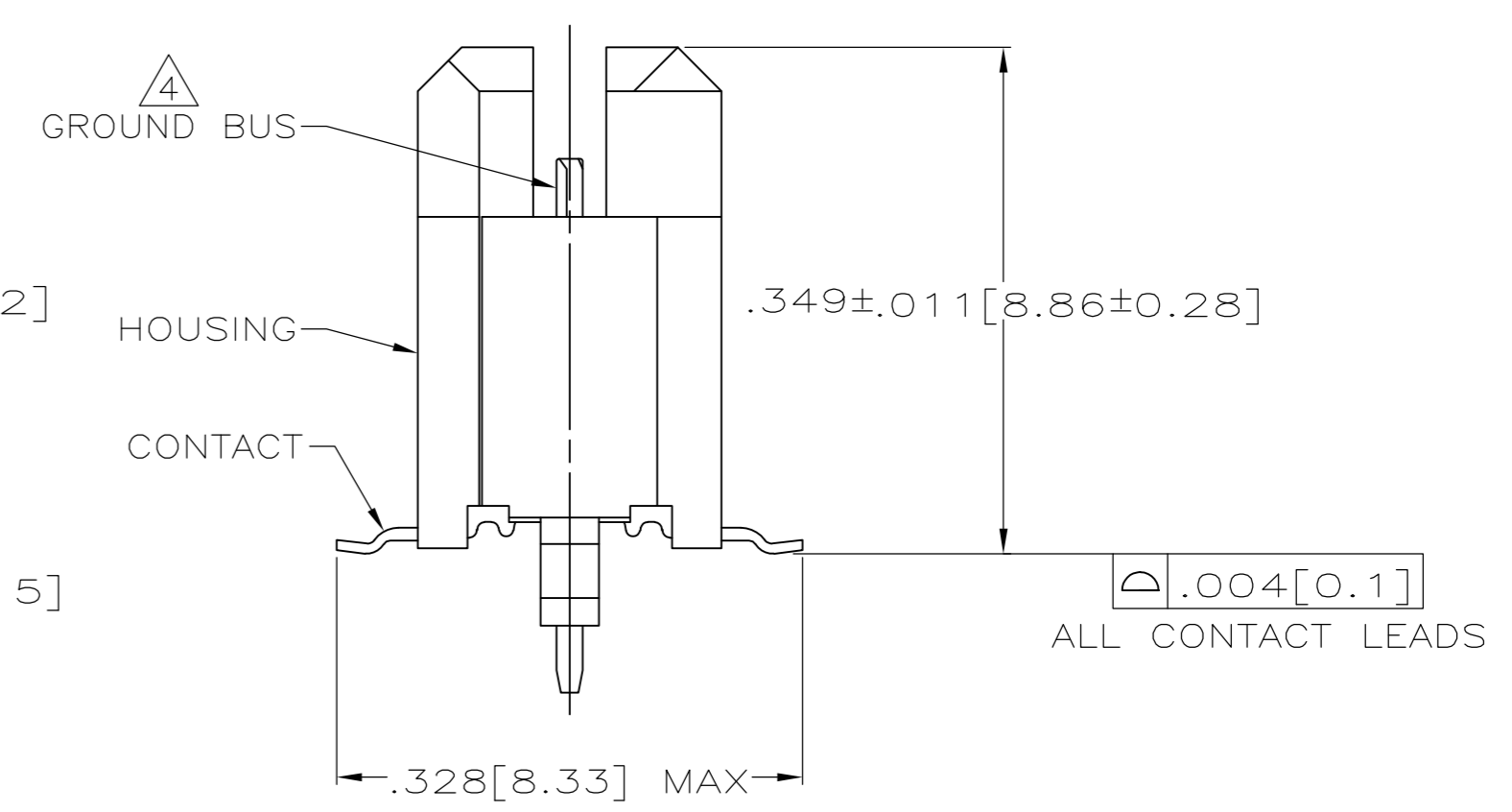
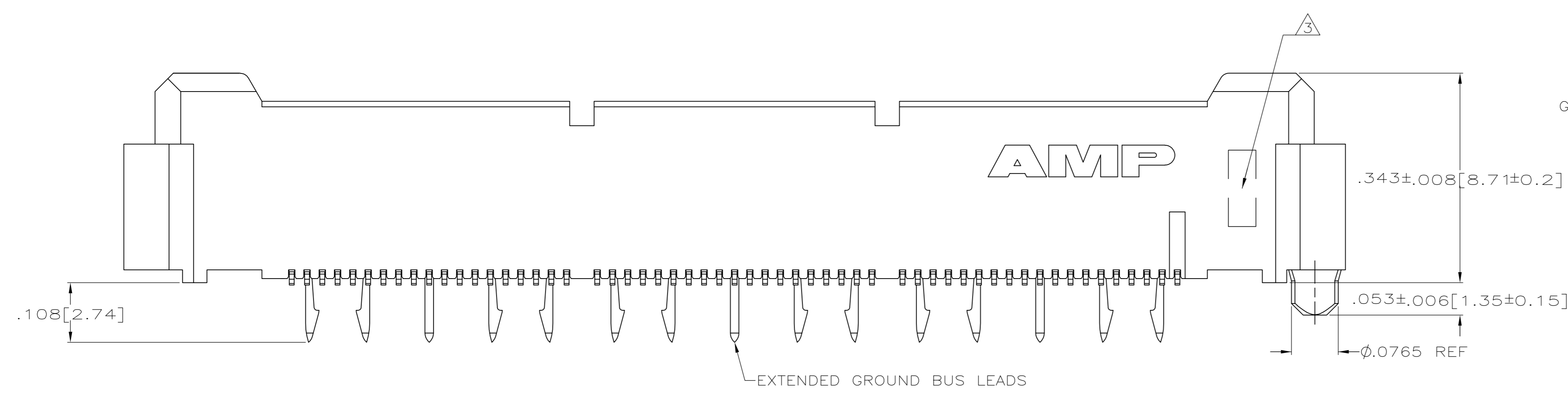


- 1 HOUSING: LIQUID CRYSTAL POLYMER, COLOR BLACK.  
CONTACTS: HIGH RELIABILITY COPPER ALLOY.  
GROUND BUSES: BRASS.
- 2 CONTACTS & GROUND BUSES: NICKEL UNDERPLATE ALL OVER,  
MATING SURFACE PLATED TO MEET LEVEL 2 PERFORMANCE  
REQUIREMENTS OF TE PRODUCT SPECIFICATION 108-1422, SOLDER  
TAILS PLATED TIN-LEAD.
- 3 DATE CODE MARKED IN AREA INDICATED ON SAME SIDE AS  
POSITION #1.
- 4 ONE GROUND BUS WITH 5 TAILS PER EACH MODULE.
- 5 TOLERANCE NON-ACCUMULATIVE.
- 6 FOR STANDARD APPLICATIONS, ORIENTATION HOLE TO BE  
 $\phi .094 \pm .002 [2.39 \pm 0.05]$ .  
FOR SLIP-FIT APPLICATIONS, ORIENTATION HOLE TO BE  
 $\phi .079 \pm .001 [2.00 \pm 0.03]$ .



3.000 [76.2]	6	3.450 [87.63]	3.898 [99]	4.000 [101.6]	266	767140-7
2.500 [63.5]	5	2.950 [74.93]	3.398 [86.31]	3.500 [88.9]	228	767140-6
2.000 [50.8]	4	2.450 [62.23]	2.898 [73.61]	3.000 [76.2]	190	767140-5
1.500 [38.1]	3	1.950 [49.53]	2.398 [60.91]	2.500 [63.5]	152	767140-4
1.000 [25.4]	2	1.450 [36.83]	1.898 [48.21]	2.000 [50.8]	114	767140-3
.500 [12.7]	1	.950 [24.13]	1.398 [35.51]	1.500 [38.1]	76	767140-2
-.000 [0]	0	.450 [11.43]	.898 [22.81]	1.000 [25.4]	38	767140-1
E	D	C	B	A	NO OF POS	PART NUMBER

RECOMMENDED PC BOARD LAYOUT  
(VIEWED FROM CONNECTOR SIDE)

THIS DRAWING IS A CONTROLLED DOCUMENT.

DIMENSIONS: INCHES[mm]	TOLERANCES UNLESS OTHERWISE SPECIFIED:	DWN J.GERACE 15FEB00	15FEB00	Tyco Electronics Corporation Harrisburg, PA 17105-3608
$\triangle$	0 PLC ± - 1 PLC ± - 2 PLC ± - 3 PLC ± .005(0.13) 4 PLC ± - ANGLES ± -	CHK S.STRICKLER 15FEB00	15FEB00	APVD D.SUMMERS 15FEB00
MATERIAL $\triangle$	FINISH $\triangle$	NAME D.SUMMERS	PRODUCT SPEC 108-1422	APPLICATION SPEC 114-11004
		SIZE A1	DWG CODE 00779	DRAWING NO 767140
		RESTRICTED TO	CUSTOMER DRAWING	SCALE 8:1 SHEET 1 OF 1 REV D