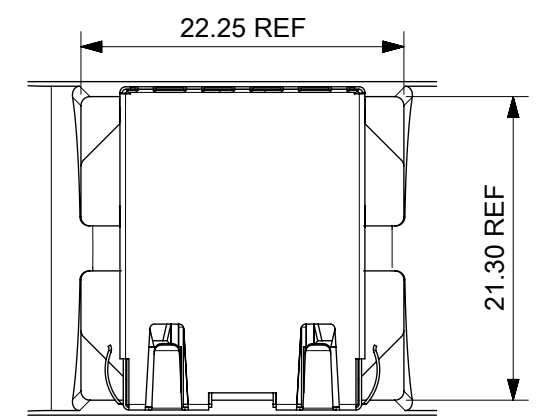
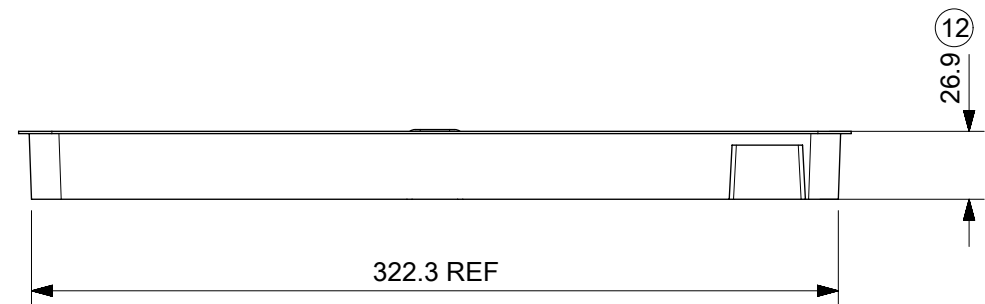
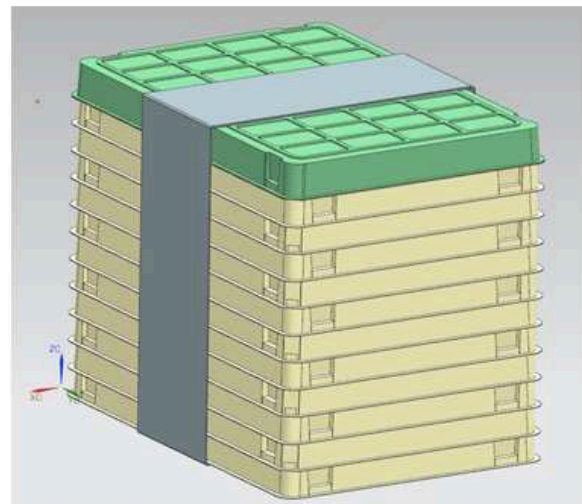
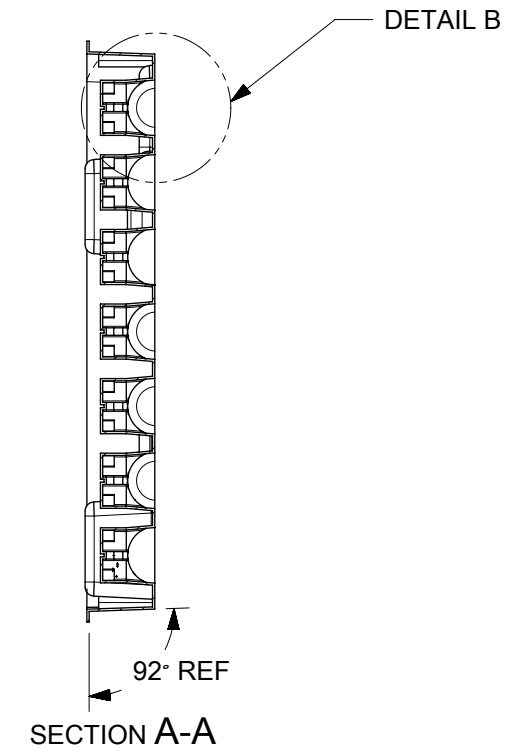
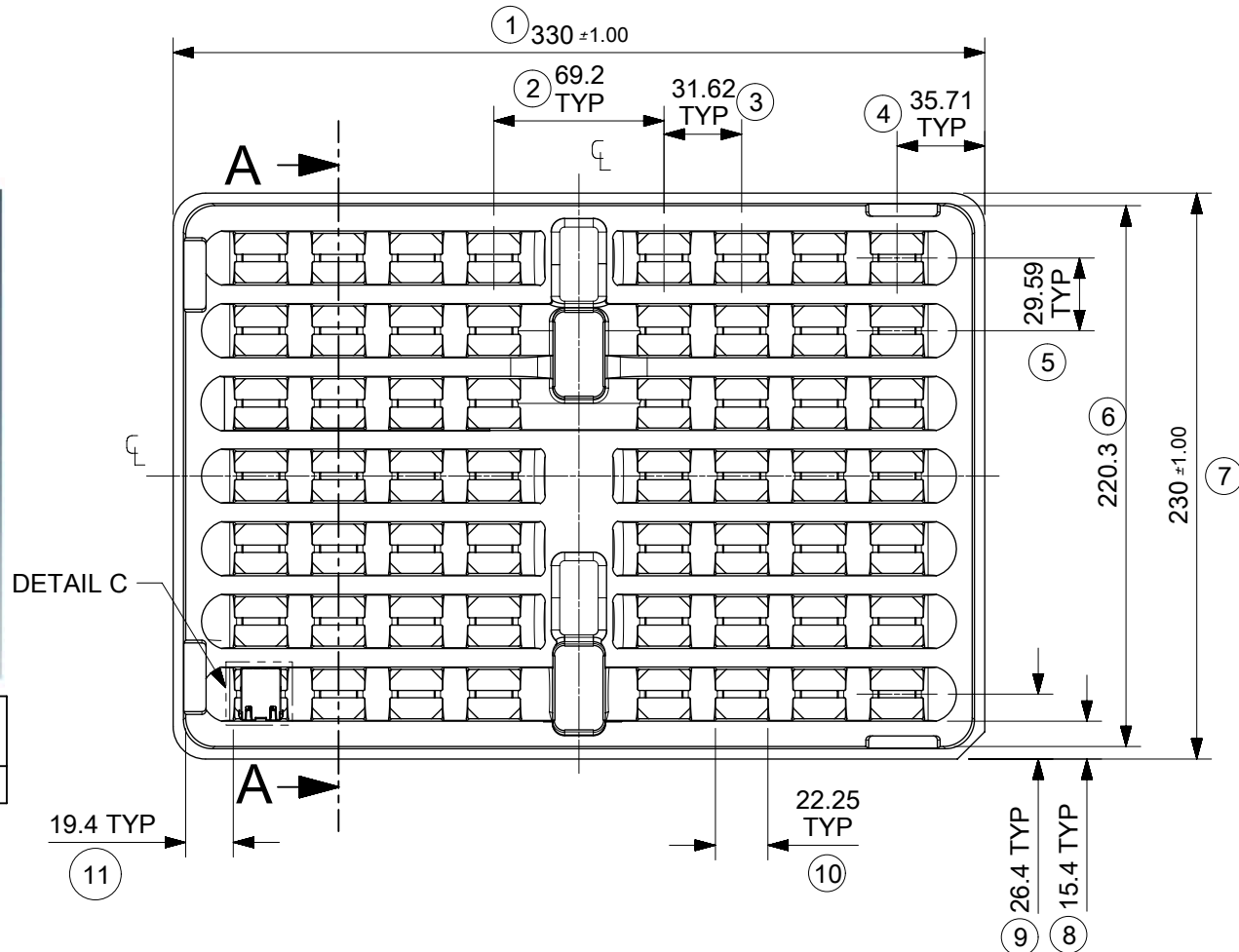


DETAIL B



DETAIL C
SCALE 2:1



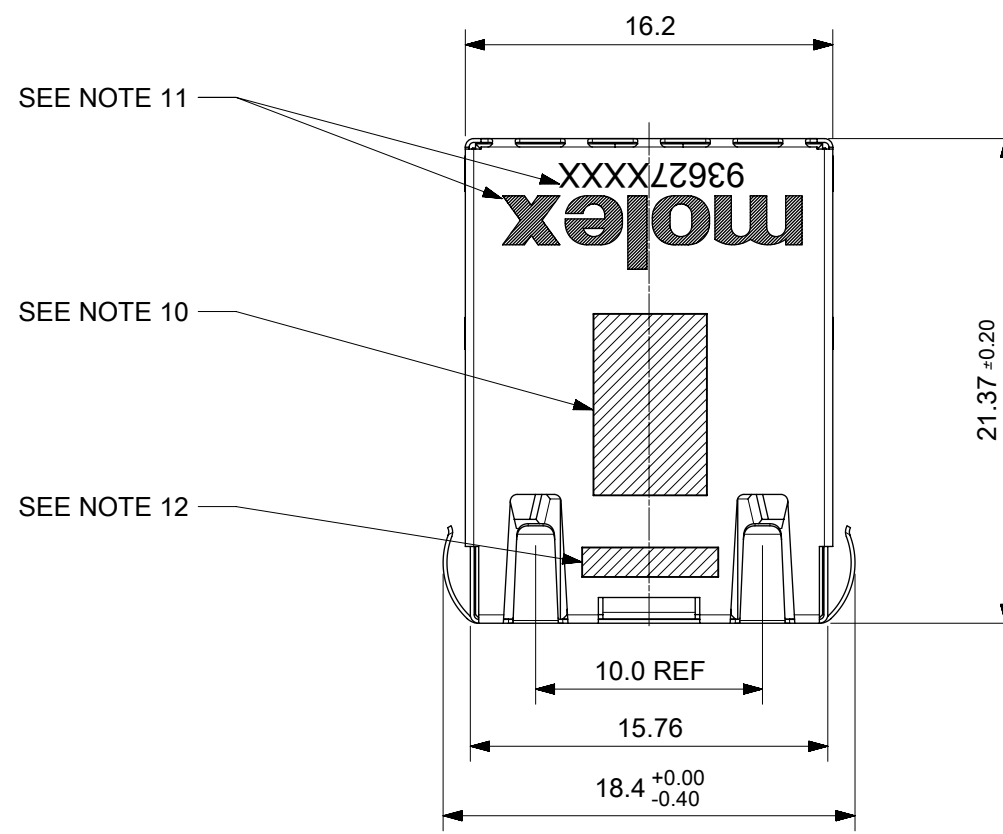
VERSION	QUANTITY PER TRAY	QUANTITY OF TRAYS PER BOX	QUANTITY PER BOX	QUANTITY PER PALLET
0.85" VERSION	56	12	672	18,144

- NOTES:
- MATERIAL: PETA ANTISTATIC
 - THICKNESS: 0.9mm ±0.05mm
 - COLOUR: CLEAR
 - BOW 2mm MAXIMUM PER 330mm
 - TWIST 2mm MAXIMUM PER 330mm
 - TRAY PART NO. AND RECYCLE LOGO TO BE CLEARLY MARKED ON TRAY
RECYCLE LOGO SHOULD BE APPROPRIATE TO MATERIAL USED
 - WHERE RELEVANT, DIMENSIONS SHOULD BE SYMMETRICAL ABOUT THE CENTRELINE
 - GENERAL PROFILE TOLERANCE $\frac{\text{M}}{0.40}$ ON NON DIMENSIONED FEATURES

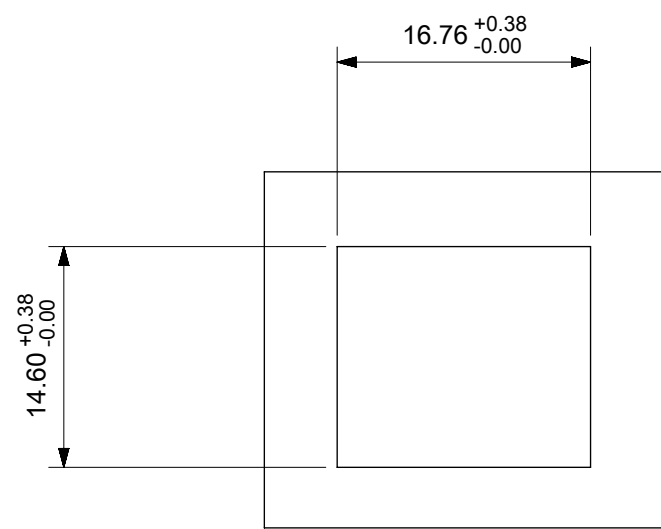
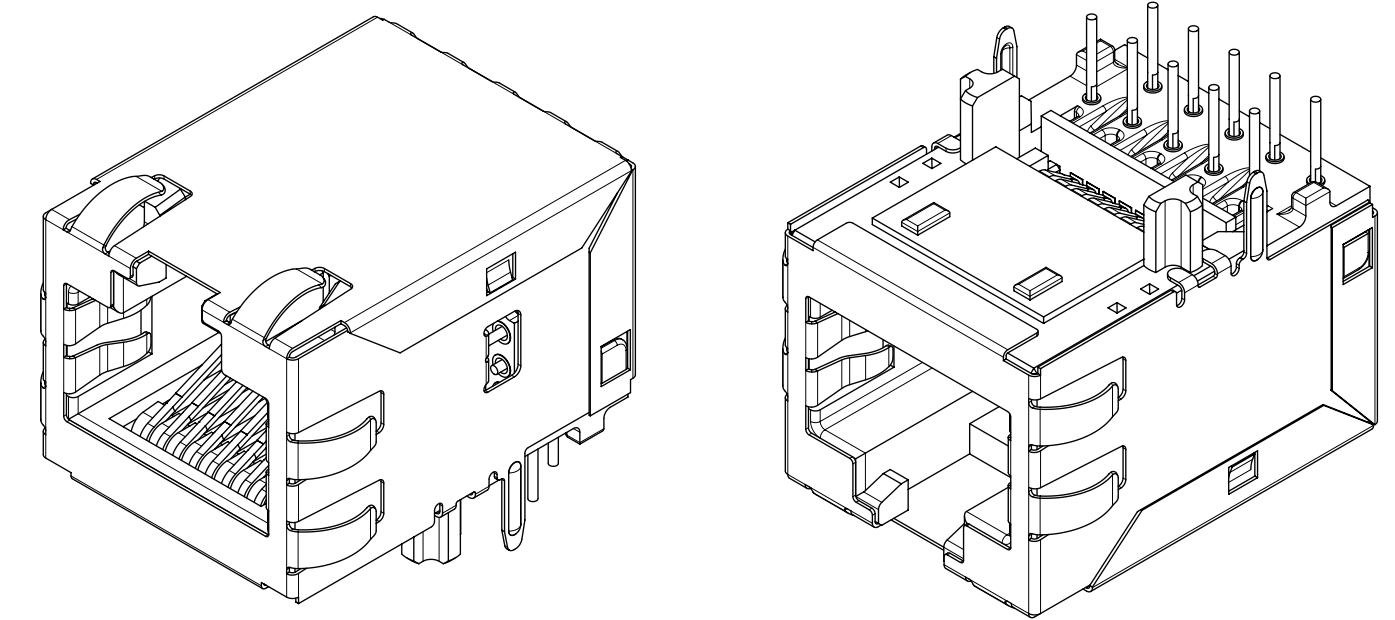
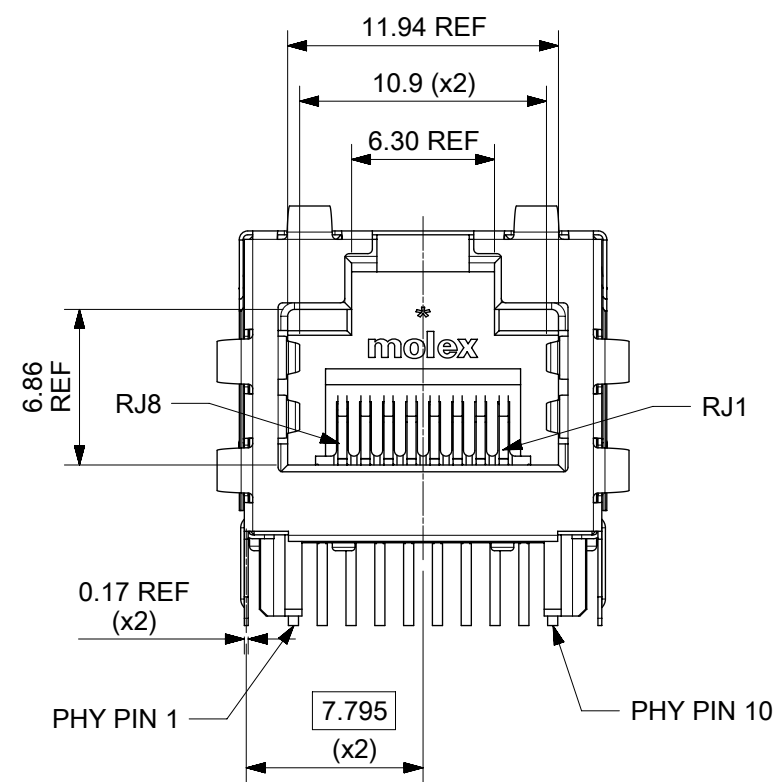
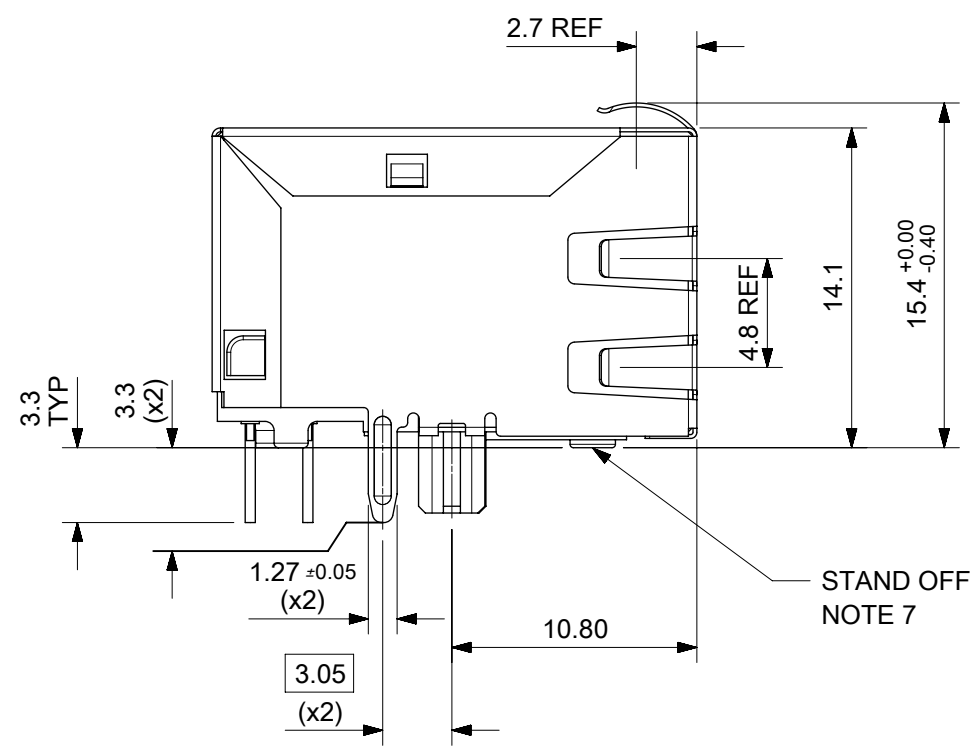
LAST INSPECTION NUMBER USED: 12

THIS DRAWING CONTAINS INFORMATION THAT IS PROPRIETARY TO MOLEX ELECTRONIC TECHNOLOGIES, LLC AND SHOULD NOT BE USED WITHOUT WRITTEN PERMISSION												
QUALITY SYMBOLS 	ORIGINAL RELEASE EC NO: 109024 DRWN: DALLENO1 CHK'D: DALLENO1 APPR: STGRIFFIN	GENERAL TOLERANCES (UNLESS SPECIFIED) ANGULAR TOL ± 1.0 °		DIMENSION UNITS	SCALE							
		4 PLACES ± 3 PLACES ± 2 PLACES ± 0.2 1 PLACE ± 0.5 0 PLACES ±		MM	1:3							
		DRAFT WHERE APPLICABLE MUST REMAIN WITHIN DIMENSIONS		DRWN BY	DATE							
				CHK'D BY	DATE							
				APPR BY	DATE	PRODUCT CUSTOMER DRAWING						
				DRAWING SIZE	THIRD ANGLE PROJECTION	SERIES	MATERIAL NUMBER	CUSTOMER				
				A3		93462	990250150	GENERAL MARKET				
							DOCUMENT NUMBER	DOC TYPE	DOC PART	SHEET NUMBER		
							934620003	PSD	K	1 OF 1		

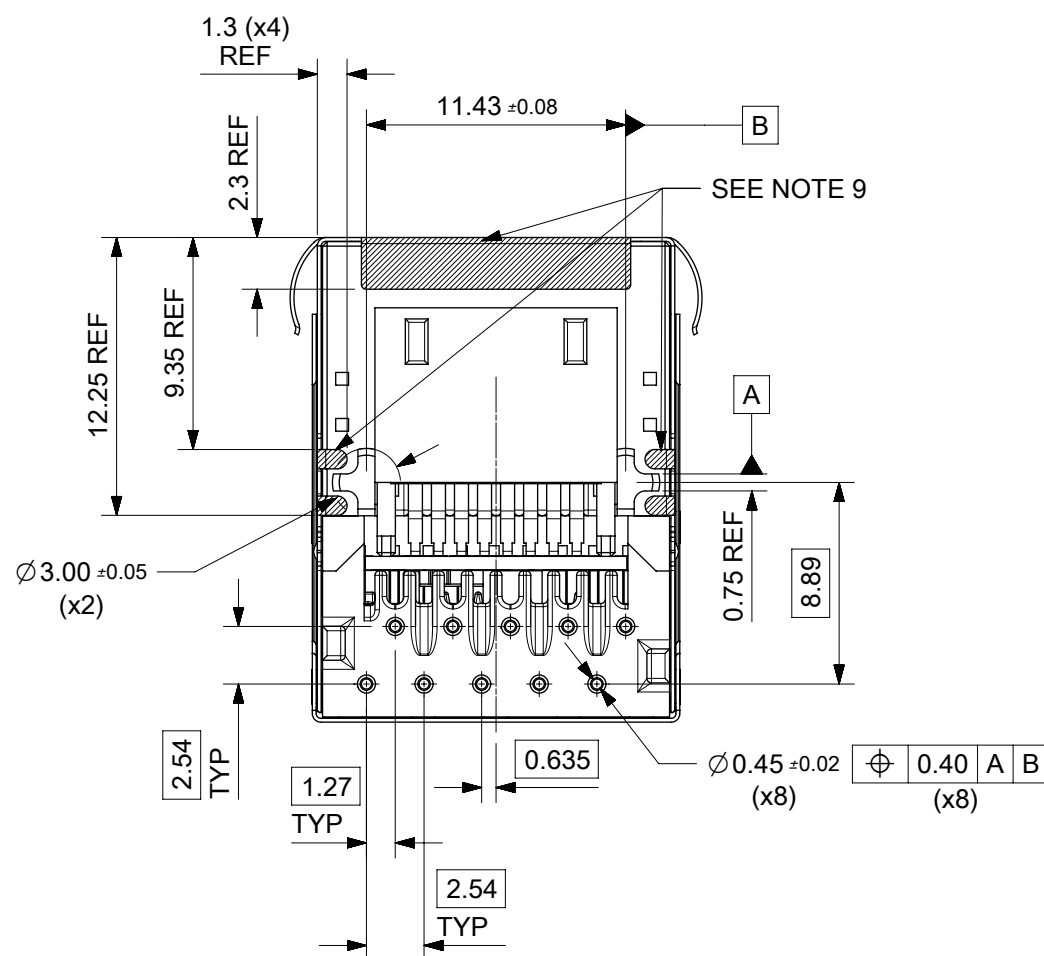
INVERTED PROFILE MAGNETIC JACK
GIGABIT ETHERNET W/SHIELD TABS



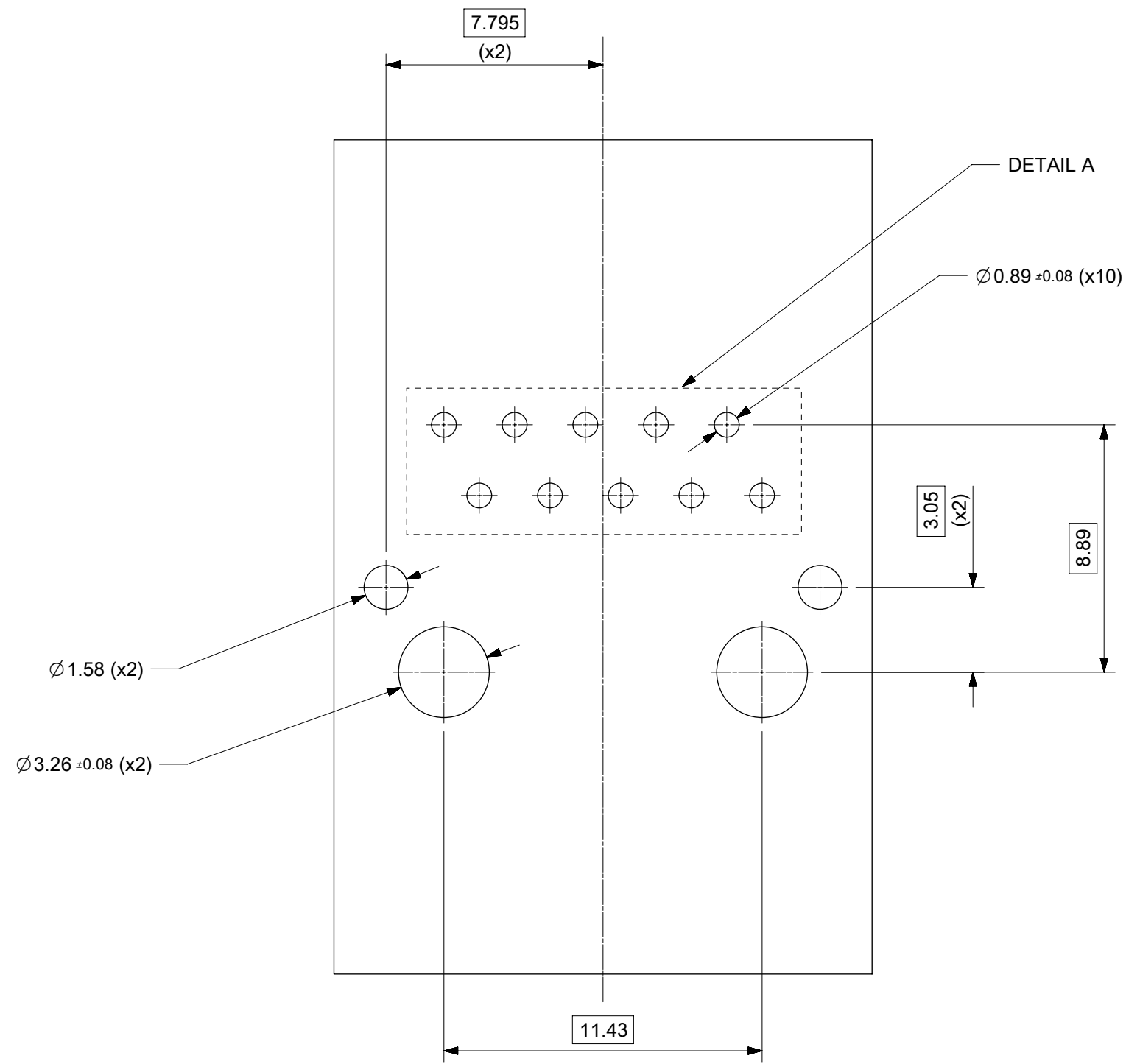
- NOTES:
- 1 - SHIELD MATERIAL: 0.17 mm THICK BRASS PRE-PLATED WITH NICKEL
SOLDER TABS POST DIPPED WITH MIN 1.27 μm TIN
 - 2 - HOUSING MATERIAL: LCP, BLACK, UL 94V-0
 - 3 - TERMINALS MATERIAL: PHOSPHOR BRONZE
RJ45 CONTACTS PLATING: BASE NICKEL PLATED WITH GOLD
FLASH OVER PALLADIUM NICKEL. REFER TO 934620001 PSP
PHY SOLDER TAILS: COPPER ALLOY
 - 4 - MATING INTERFACE ACCORDING TO IEC 60603-7 & TIA-1096-A
 - 5 - PRODUCT SPECIFICATION: 934620001 PSP
 - 6 - PACKAGING SPECIFICATION: 934620001 PSK - TRAY
 - 7 - STAND OFF TO SYSTEM BOARD 0.30 mm MIN
 - 8 - RECOMMENDED PCB THICKNESS: 1.57 mm
 - 9 - SHIELD: AVOID ROUTING TRACES
OR PLACING ANY VIAS BELOW THESE AREAS
 - 10 - AREA FOR PICK AND PLACE: 5.0 mm X 8.0 mm
 - 11 - INSCRIPTION MARKED BY LASER:
1st : MOLEX
2nd : P/N (SEE BOM)
 - 12 - INSCRIPTION MARKED BY LASER:
DATE CODE(DAY/WEEK/YEAR)
 - 13 - MATERIAL COMPLIANT TO RoHS DIRECTIVE 2002/95/EC



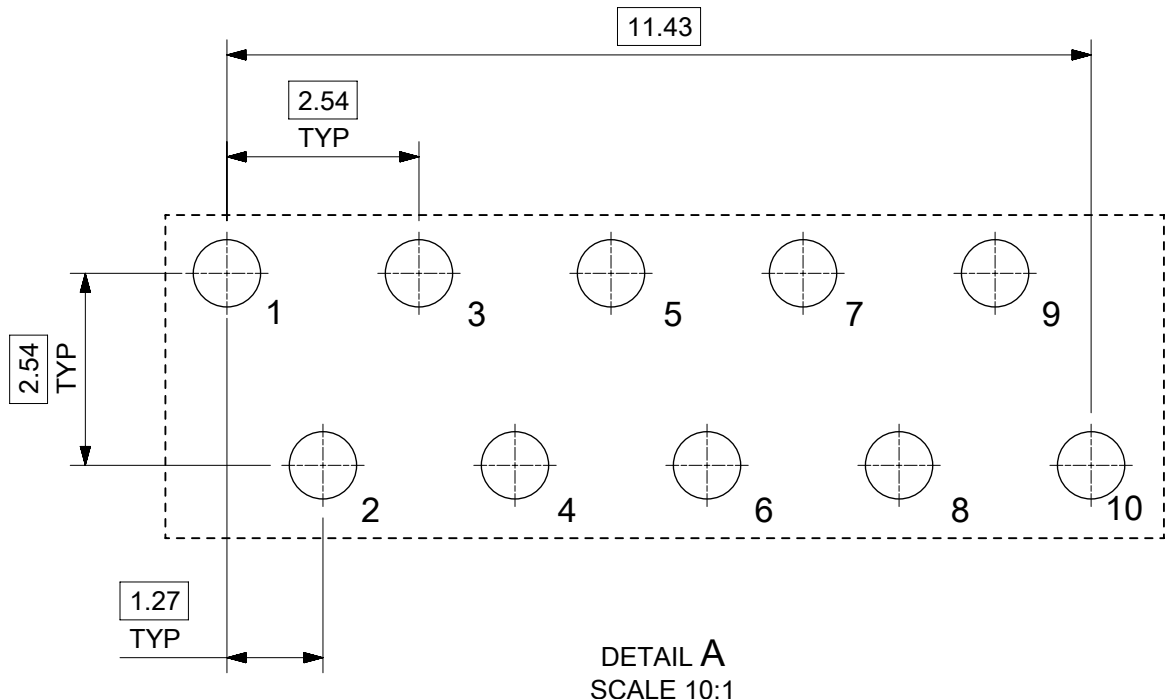
SUGGESTED PANEL CUT-OUT



THIS DRAWING CONTAINS INFORMATION THAT IS PROPRIETARY TO MOLEX ELECTRONIC TECHNOLOGIES, LLC AND SHOULD NOT BE USED WITHOUT WRITTEN PERMISSION			
REVISED EC NO: 116686 DRWN: KREILLY CHKD: DSHEA REV APPR: DBYRNES	2017/05/09	2017/09/12	2017/09/26
	GENERAL TOLERANCES (UNLESS SPECIFIED)		DIMENSION UNITS
			mm
	ANGULAR TOL ± 2.0 °		SCALE
			3:1
4 PLACES ±		DRWN BY	JKEARNS
3 PLACES ±		DATE	2015/11/05
2 PLACES ± 0.1		CHK'D BY	JKEARNS
1 PLACE ± 0.2		DATE	2015/12/17
0 PLACES ±		APPR BY	STGRIFFIN
DRAFT WHERE APPLICABLE MUST REMAIN WITHIN DIMENSIONS		DATE	2015/11/19
DRAWING SIZE		THIRD ANGLE PROJECTION	
A2			
C		PRODUCT CUSTOMER DRAWING SERIES: 93627 MATERIAL NUMBER: SEE TABLE ON SHEET 2 CUSTOMER: GENERAL MARKET	
RELEASE STATUS: P1		DOCUMENT NUMBER: 936270004	
RELEASE DATE: 26.09.2017 10:55:50		DOC TYPE: PSD DOC PART: 000 SHEET NUMBER: 1 OF 3	



SUGGESTED BOARD LAYOUT
GIGABIT VERSION
COMPONENT SIDE
ALL DIMS REFERENCE DIMS

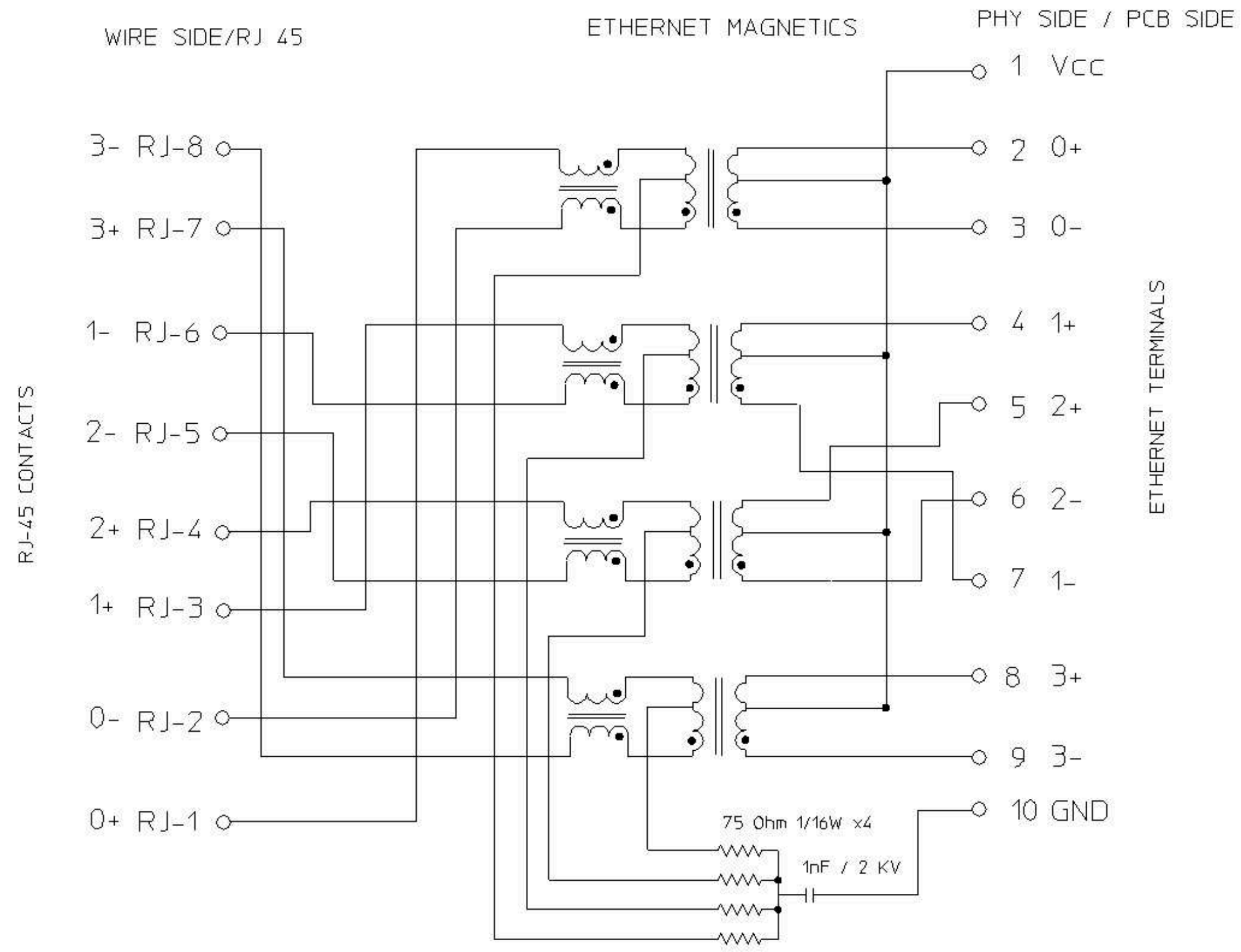


DETAIL A
SCALE 10:1

PIN CONFIGURATION
FOR GIGABIT VERSION

PART NUMBER	LEFT LED	RIGHT LED
93627-8020	N/A	N/A

THIS DRAWING CONTAINS INFORMATION THAT IS PROPRIETARY TO MOLEX ELECTRONIC TECHNOLOGIES, LLC AND SHOULD NOT BE USED WITHOUT WRITTEN PERMISSION											
REVISED	EC NO: 116686	2017/05/09	GENERAL TOLERANCES (UNLESS SPECIFIED)	DIMENSION UNITS	SCALE	molex [®]					
	DRWN: KREILLY	2017/09/12	(UNLESS SPECIFIED)	mm	5:1						
	CHKD: DSHEA	2017/09/26	ANGULAR TOL ± 2.0 °	DRWN BY	DATE	INV MX-MAG 8CORE GIG NO LED W/SHIELD TAB					
	REV / APPR: DBYRNES			JKEARNS	2015/11/05						
			4 PLACES ±	CHK'D BY	DATE	PRODUCT CUSTOMER DRAWING					
		3 PLACES ±	JKEARNS	2015/12/17							
		2 PLACES ± 0.1	APPR BY	DATE	SERIES MATERIAL NUMBER CUSTOMER						
		1 PLACE ± 0.2	STGRIFFIN	2015/11/19							
		0 PLACES ±			93627		SEE TABLE		GENERAL MARKET		
		DRAFT WHERE APPLICABLE MUST REMAIN WITHIN DIMENSIONS	DRAWING SIZE	THIRD ANGLE PROJECTION	DOCUMENT NUMBER		DOC TYPE		DOC PART		SHEET NUMBER
C			A2		936270004		PSD		000	2 OF 3	



Description	Value	
OCL @ 100 kHz, 0.1 V 8 mA DC bias (-40°C to +85°C)	350 μH min.	
Turns ratio	1CT:1CT	
Transmission characteristics @ 25°C, all four pairs		
Insertion Loss		
Frequency f, (MHz)	Limits (dB max.)	Typical Values (dB max.)
1.0-9.9	0.4+0.1*log(f)	0.5 @ 10 MHz
10-49.9	0.5+0.3*log(f/10)	0.7 @ 50 MHz
50-79.9	1+1.4*log(f/80)	1.0 @ 80 MHz
80-100	1.3+3*log(f/100)	1.3 @ 100 MHz
Return Loss		
Frequency f, (MHz)	Limits (dB min.)	Typical Values (dB min.)
1.0-39.9	18	18 @ 40 MHz
40-100	12-20*log(f/80)	10 @ 100 MHz
CMR		
Frequency f, (MHz)	Limits (dB min.)	Typical Values (dB min.)
1.0-100	30	30 @ 100 MHz
Next		
Frequency f, (MHz)	Limits (dB min.)	Typical Values (dB min.)
1.0-39.9	35	35 @ 40 MHz
40-100	33-20*log(f/50)	27 @ 100 MHz
Isolation PHY to wire side	2.25 kVDC/60sec	

THIS DRAWING CONTAINS INFORMATION THAT IS PROPRIETARY TO MOLEX ELECTRONIC TECHNOLOGIES, LLC AND SHOULD NOT BE USED WITHOUT WRITTEN PERMISSION

REVISED EC NO: 116686 DRWN: KREILLY CHKD: DSHEA REV APPR: DBYRNES	2017/05/09	GENERAL TOLERANCES (UNLESS SPECIFIED)	DIMENSION UNITS	SCALE				
	2017/09/12	ANGULAR TOL ± 2.0 °	mm	1:1				
	2017/09/26	4 PLACES ±	DRWN BY	DATE		INV MX-MAG 8CORE GIG NO LED W/SHIELD TAB		
		3 PLACES ±	JKEARNS	2015/11/05				
		2 PLACES ± 0.1	CHK'D BY	DATE		PRODUCT CUSTOMER DRAWING		
	1 PLACE ± 0.2	JKEARNS	2015/12/17					
	0 PLACES ±	APPR BY	DATE	SERIES	MATERIAL NUMBER	CUSTOMER		
	DRAFT WHERE APPLICABLE MUST REMAIN WITHIN DIMENSIONS	STGRIFFIN	2015/11/19	93627	SEE TABLE ON SHEET 2	GENERAL MARKET		
		DRAWING SIZE	THIRD ANGLE PROJECTION	DOCUMENT NUMBER		DOC TYPE	DOC PART	SHEET NUMBER
		A2		936270004		PSD	000	3 OF 3