

Obsolete

M.C.C.

Micro Commercial Components

Micro Commercial Components
20736 Marilla Street Chatsworth
CA 91311
Phone: (818) 701-4933
Fax: (818) 701-4939

MC7910CT

Features

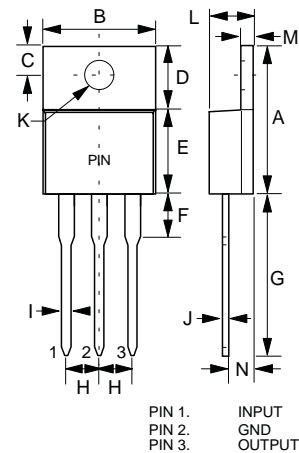
- Output current in excess of 1.0 Ampere
- No external components required
- Internal thermal overload protection
- Internal short-circuit current limiting
- Output voltage offered in 2% tolerance

Three-Terminal Negative Voltage Regulators

Maximum Ratings @ T_A=25°C, Unless Otherwise Noted

Parameter	Symbol	Value	Unit
Input Voltage	V ₁	30	V
Operating Ambient Temperature	P _D	15	W
Operating Junction Temperature	T _{OPR}	-20---+75	°C
Storage Temperature Range	T _{STG}	-55---+125	°C

TO-220



DIMENSIONS

DIM	INCHES		MM		NOTE
	MIN	MAX	MIN	MAX	
A	.560	.625	14.22	15.88	
B	.380	.420	9.65	10.67	
C	.100	.135	2.54	3.43	
D	.230	.270	5.84	6.86	
E	.380	.420	9.65	10.67	
F	-----	.250	-----	6.35	
G	.500	.580	12.70	14.73	
H	.090	.110	2.29	2.79	
I	.020	.045	0.51	1.14	
J	.012	.025	0.30	0.64	
K	.139	.161	3.53	4.09	∅
L	.140	.190	3.56	4.83	
M	.045	.055	1.14	1.40	
N	.080	.115	2.03	2.92	

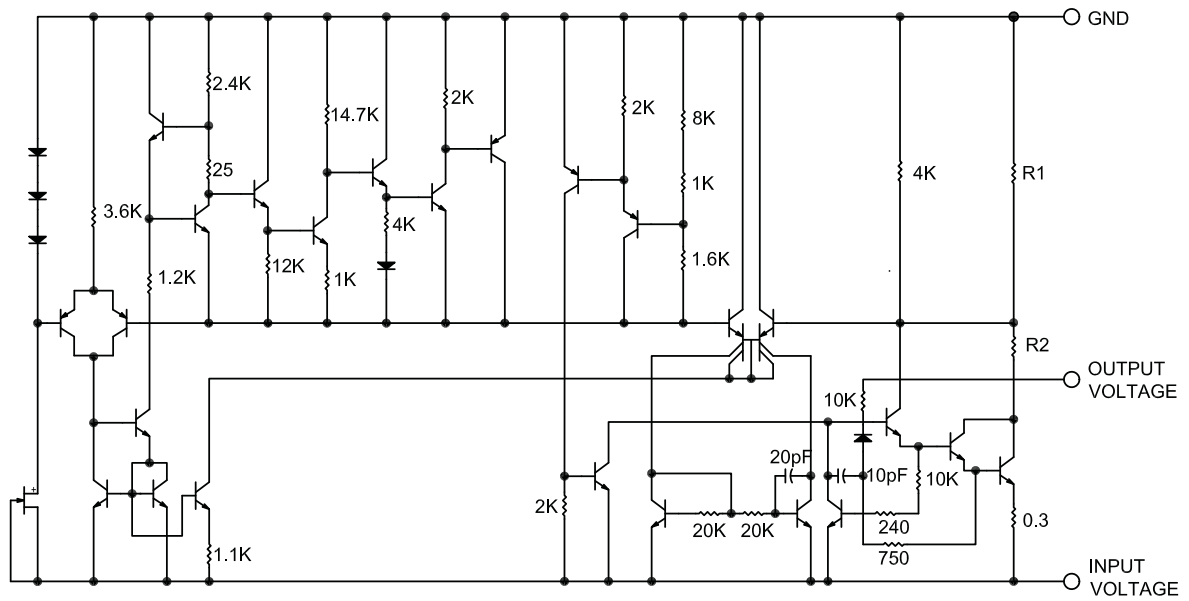
MC7910CT

Electrical Characteristics (Vi=15V, Io=500mA, 0°C<Tj<125°C, Ci=2.0uF, Co=1.0uF, Unless Otherwise Specified)

Parameter	Sym	Min	Typ	Max	Test conditions
Output Voltage	Vo	9.82V	10V	10.18V	Tj=25°C
		9.72V		10.28V	11.5V ≤ V1 ≤ 24V, 5mA ≤ Io ≤ 1.0A, Po=15W
Load Regulation	ΔVo		12mV	180mV	5mA ≤ Io ≤ 1.5A, Tj=25°C,
			4.0mV	90mV	250mA ≤ Io ≤ 750mA, Tj=25°C
Line regulation	ΔVo		7.0mV	180mV	11.5V ≤ V1 ≤ 26V, Tj=25°C
			2.0mV	90mV	12V ≤ V1 ≤ 18V, Tj=25°C
Quiescent Current	Iq		2.2mA	4.5mA	Tj=25°C, Io=0
Quiescent Current Change	ΔIq			1.0mA 0.5mA	11.5V ≤ V1 ≤ 26V 5mA ≤ Io ≤ 1.0A
Output Noise Voltage	VN		58μV		10Hz ≤ f ≤ 100KHz Tj=25°C
Ripple Rejection	RR	56dB	71dB		f=120Hz
Dropout Voltage	Vd		1.1V		Io=1.0A, Tj=25°C
Peak Output Current	Iopeak		2.1A		Tj=25°C
Temperature Coefficient of Output voltage	ΔVo/ΔTj		0.6mV/°C		0°C ≤ Tj ≤ 125°C, Io=5mA

MC7910CT

Representation Schematic Diagram





Micro Commercial Components

Ordering Information

Device (Part Number)-BP	Packing Bulk;1Kpcs/Box
----------------------------	---------------------------

*****IMPORTANT NOTICE*****

Micro Commercial Components Corp. reserves the right to make changes without further notice to any product herein to make corrections, modifications , enhancements , improvements , or other changes . *Micro Commercial Components Corp.* does not assume any liability arising out of the application or use of any product described herein; neither does it convey any license under its patent rights ,nor the rights of others . The user of products in such applications shall assume all risks of such use and will agree to hold *Micro Commercial Components Corp.* and all the companies whose products are represented on our website, harmless against all damages.

*****APPLICATIONS DISCLAIMER*****

Products offer by *Micro Commercial Components Corp.* are not intended for use in Medical, Aerospace or Military Applications.