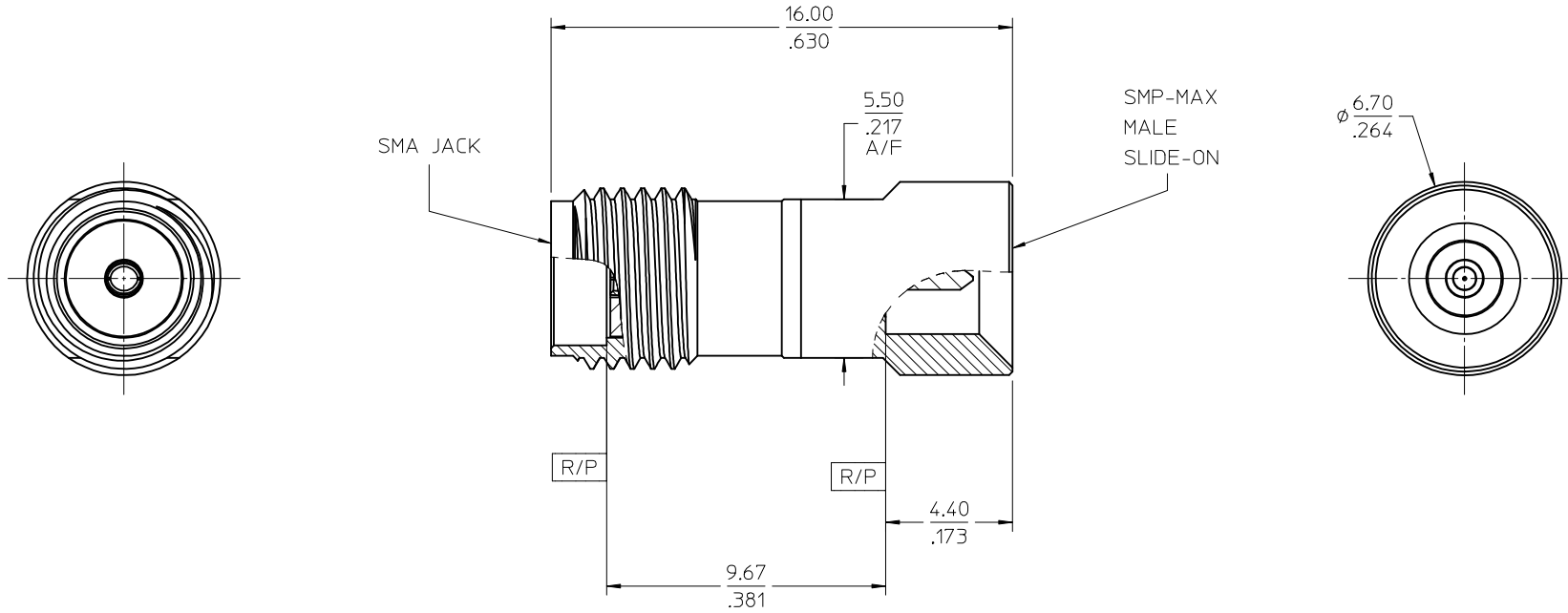
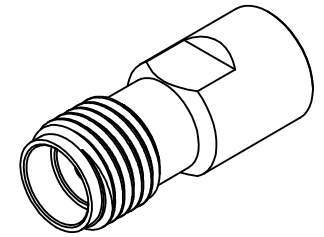


MATERIALS AND FINISHES

BODY: BRASS
PLATED GOLD

CENTER CONTACT: BERYLLIUM COPPER
PLATED GOLD

INSULATORS: TEFLON



73386-1570	TRAY
PART NO.	PACKAGING

MIL-STD-348A, FIG. 310.2	SMA INTERFACE	CHG: ADD PACKAGING PER RF15-E267 EC NO: URF2016-0074 DRW:YEH CHKD: APPR:YCHENG	DESCRIPTION 2015/08/05	QUALITY SYMBOLS	GENERAL TOLERANCES (UNLESS SPECIFIED)		DIMENSION STYLE	SCALE	DESIGN UNITS	THIRD ANGLE PROJECTION	TITLE SMA JACK TO SMP-MAX MALE SLIDE-ON BSA BSA-SMA/SMPMAX, EWR-4793	DOCUMENT NO. SD-73386-157	SHEET NO. 1 OF 1
					mm	INCH	MM/IN	8:1	METRIC	SEE TABLE			
SPECIFICATION	DESCRIPTION	A1	REV		DRAFT WHERE APPLICABLE MUST REMAIN WITHIN DIMENSIONS		APPROVED BY JWIENER	DATE 2011/09/19	THIS DRAWING CONTAINS INFORMATION THAT IS PROPRIETARY TO MOLEX INCORPORATED AND SHOULD NOT BE USED WITHOUT WRITTEN PERMISSION				