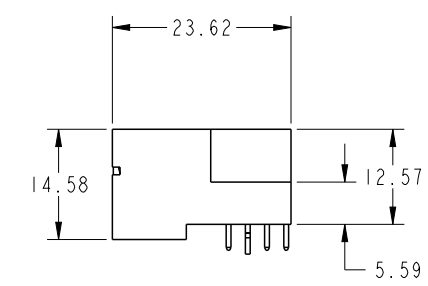
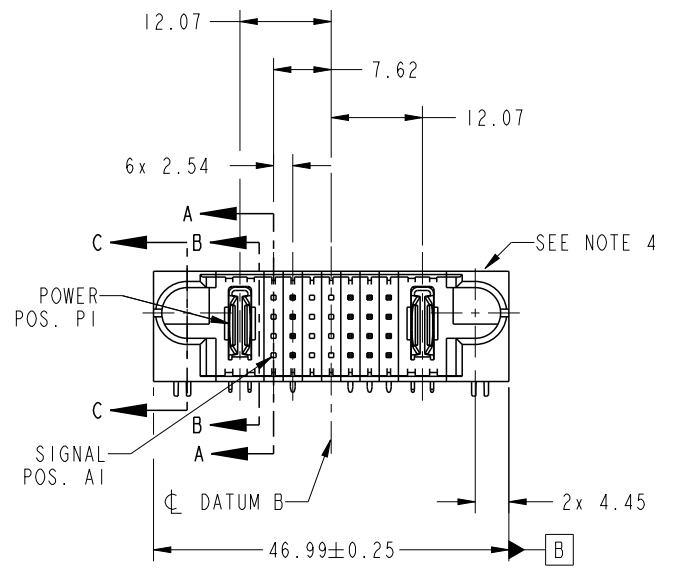


PRODUCT NO.	ROWS	POWER SIGNAL POWER											
		E1	P1	1	2	3	4	5	6	7	P2	E2	
51730-219-- NOTE 3	DCBA			X	H	X	X	X	H	H	U		
		HA	PA	X	G	X	X	G	G	T	PA	HA	
		X	F	X	X	X	F	F	F	F	X	X	
		X	E	X	X	X	E	E	E	E	X	X	



CODE	DIM "M" MATING LENGTH	CONTACT TYPE
H	[5.59]	SIGNAL
G	[5.59]	SIGNAL
F	[5.59]	SIGNAL
E	[5.59]	SIGNAL
T	[6.86]	SIGNAL
U	[6.86]	SIGNAL
PA	[N/A]	POWER
HA	[N/A]	HOLD-DOWN
X	[N/A]	OMITTED



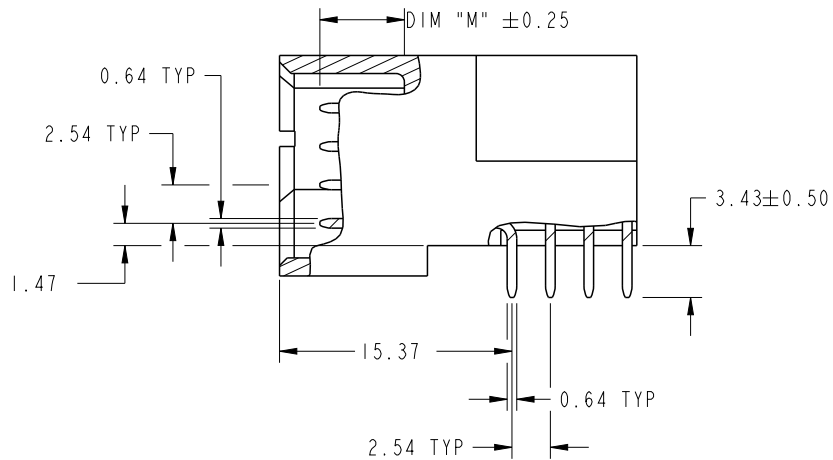
Copyright FCI.

spec ref	*	dr	Luo Weller	2014/02/11	projection 	MM ←→	size	A4	scale	1:1		
tolerance std	ASME Y14.5	eng	Luo Weller	2014/02/21			ecn no	-				
TOLERANCES UNLESS OTHERWISE SPECIFIED		chr	-	-			rel level	Released				
surface	✓	appr	Pei-Ming Zheng	2014/02/21	product family	PwrBlade	rev					
ASME Y14.5	linear	0.X	±0.5	 <a href="http://www.fci.com">www.fci.com</a>	title IP + 28S + IP RIGHT ANGLE SOLDER HEADER	dwg no 51730-219	rev A					
		0.XX	±0.25					cat. no.	-	Product - Customer Drw	sheet 1 of 4	
	angular	0°	±2°									

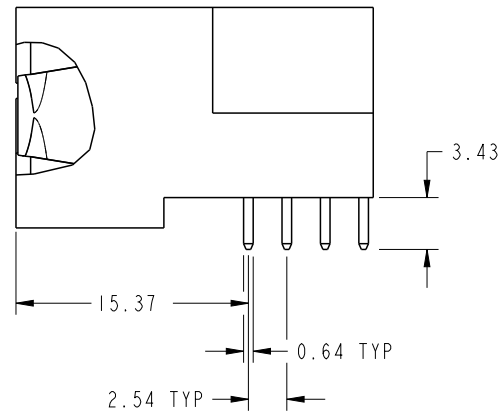
PrintE File - REV C - 2009-06-09

PRODUCT NUMBER

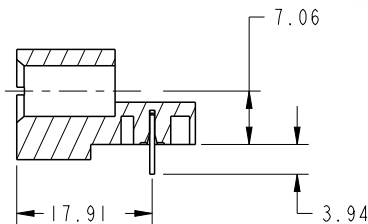
51730-219--  
NOTE: 3



BROKEN-OUT SECTION A-A  
SCALE 2:1



BROKEN-OUT SECTION B-B  
SCALE 2:1

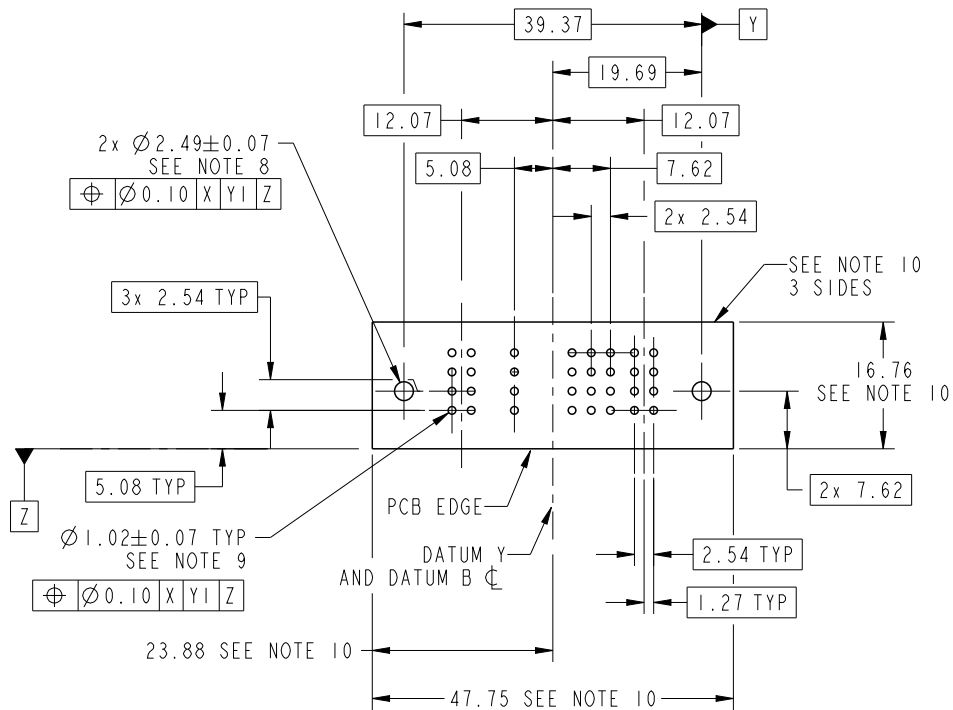


SECTION C-C

dr	Luo Weller	2014/02/11	projection 	MM 	size	A4	scale	1:1
eng	Luo Weller	2014/02/21			ecn no	-		
chr	-	-			rel level	Released		
appr	Pei-Ming Zheng	2014/02/21	product family	PwrBlade	rev	A		
		title	IP + 28S + IP		dwg no	51730-219		
		cat. no.	-		Product - Customer Drw		sheet 2 of 4	

PRODUCT NUMBER

51730-219\_\_  
NOTE: 3



RECOMMENDED PCB LAYOUT

dr	Luo Weller	2014/02/11	projection 	MM 	size	A4	scale	1:1
eng	Luo Weller	2014/02/21			ecn no	-		
chr	-	-			rel level	Released		
appr	Pei-Ming Zheng	2014/02/21	product family	PwrBlade				
	title	IP + 28S + IP		dwg no	51730-219		rev	A
www.fci.com	cat. no.	-	Product - Customer Drw		sheet 3 of 4			

PRODUCT NUMBER

51730-219\_\_  
NOTE: 3

NOTES:

1. DIMENSIONS AND TOLERANCES ARE IN ACCORDANCE WITH ASME Y14.5M, 1994 UNLESS OTHERWISE SPECIFIED.

CONNECTOR NOTES:

- 2. HOUSING MATERIAL: UL 94 V-0 GLASS FILLED HIGH-TEMP THERMOPLASTIC  
POWER CONTACT MATERIAL: COPPER ALLOY  
SIGNAL PIN MATERIAL: COPPER ALLOY
- 3. SEE ITEM 1 & 2 IN PRINT 10064183 FOR PLATING SPEC OF 51730-219 AND 51730-219LF RESPECTIVELY.
- 4. MANUFACTURER'S NAME, DATE CODE AND OPTIONAL P/N TO APPEAR ON THIS SURFACE. THE MARK CAN BE OMITTED IF THERE IS NOT ENOUGH SPACE ON THIS SURFACE.
- 5. PRODUCT SPECIFICATION GS-12-149.  
APPLICATION SPECIFICATION BUS-20-067.
- 6. PACKAGED IN TRAYS.

PCB NOTES:

- 7. ALL HOLE DIAMETERS ARE FINISHED HOLE SIZE.
- 8. MOUNTING HOLES, WHERE APPLICABLE, ARE UNPLATED.
- 9.  $\varnothing 1.151 \pm 0.025$  DRILLED HOLES PLATED WITH  
0.008 MIN SnPb OR Sn OVER 0.03  
TO 0.08 Cu PLATING TO ACHIEVE  
 $\varnothing 1.02 \pm 0.07$  HOLE.
- 10. CONNECTOR KEEP-OUT ZONE.



Copyright FCI.

dr	Luo Weller	2014/02/11	projection 	MM 	size	A4	scale	1:1		
eng	Luo Weller	2014/02/21			ecn no	-				
chr	-	-			product family	PwrBlade	rel level	Released		
appr	Pei-Ming Zheng	2014/02/21			title	IP + 28S + IP RIGHT ANGLE SOLDER HEADER	dwg no	51730-219	rev	A
www.fci.com		cat. no.	-	Product - Customer Drw			sheet 4 of 4			