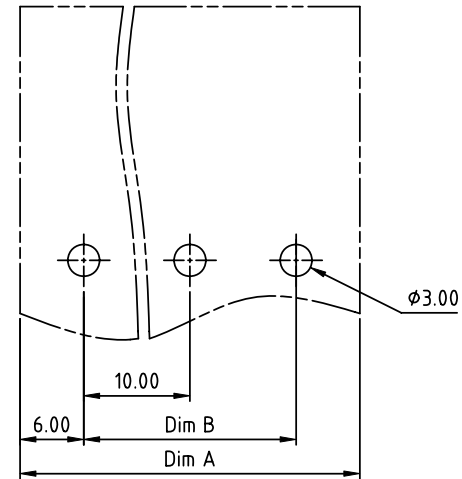
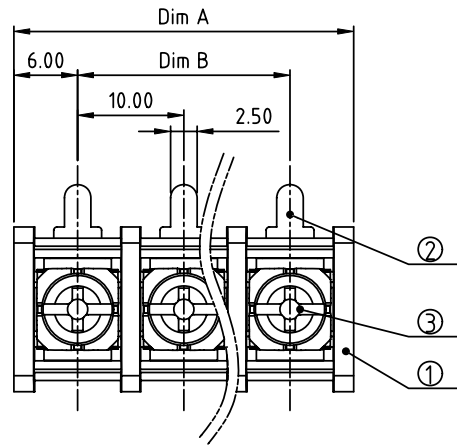
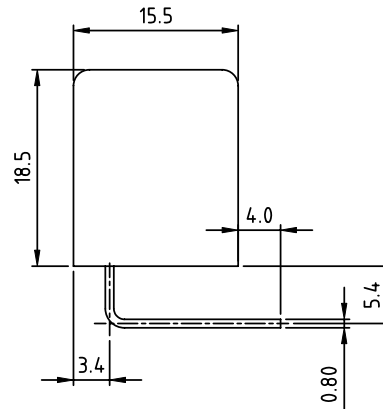
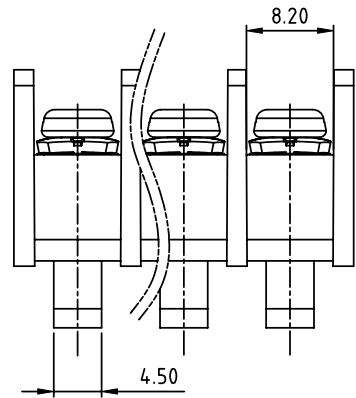


| | |
|----------------|----------|
| PRODUCT NUMBER | PITCH |
| YK611xx0x0JOG | 10.00 mm |



RECOMMENDED P.C.B LAYOUT
TOP VIEW



MATERIALS ELECTRICAL
 RATED VOLTAGE & CURRENT: 300 V, 25 A
 WITHSTAND VOLTAGE: AC 2000 V/Min
 INSULATION RESISTANCE: 1000 M Ω OR MORE AT DC 500 V
 OPERATING TEMPERATURE RANG: -40 °C ~ +115 °C
 SCREW TORQUE VALUE: 8.8 Lb-In.
 WIRE RANGE: 22 - 12 AWG
 1) HOUSING: Thermoplastic, UL 94 V-0 BLACK
 2) TERMINAL: BRASS, 0.8t
 3) TERMINAL SCREWS: STEEL, M3.5
 APPROVAL:

DIMENSION

| | |
|-------|------------|
| Dim A | Nx10.0+2.0 |
| Dim B | (N-1)x10.0 |

N=Number of poles

| Poles | Tolerance |
|---------|------------|
| 2p-5p | ± 0.20 |
| 6p-10p | ± 0.25 |
| 11p-16p | ± 0.35 |
| 17p-24p | ± 0.40 |
| 25p-32p | ± 0.50 |

PART NO.: YK 611xx 0 x 0 JOG

No. of poles
 02 2 poles
 03 3 poles

 32 32 poles

Plated

| Code | Terminal | Screw |
|------|----------|-------|
| 0 | G/F | G/F |
| 1 | G/F | Zinc |
| 2 | Tin | G/F |
| 3 | Tin | Zinc |

RoHS compliant
 (lead<4%)
 In copper Alloy

| | | | | | |
|-------------|----------------|-----------------------|-------------------------|---------------------------------------|----------------------------------|
| mat'l. code | | surface ASME Y14.5 | tolerance ASME Y14.5 | projection | product family TERMINAL BLOCK |
| ltr | ecn no | dr | date | tolerances unless otherwise specified | title TERMINAL BLOCK |
| | | | | angles $X^{\circ}\pm 1'$ | BARRIER TYPE |
| | | | | dr EVAN LU 061614 | scale |
| | | | | enr EVAN LU 061614 | FCI logo |
| | | | | chr HANKE FENG 061614 | dwg no YK611xx0x0JOG |
| | | | | appd SHI JUN 061614 | sheet 1 of 1 size A4 |
| sheet index | revision sheet | A | 1 | | type CUSTOMER Drawing |