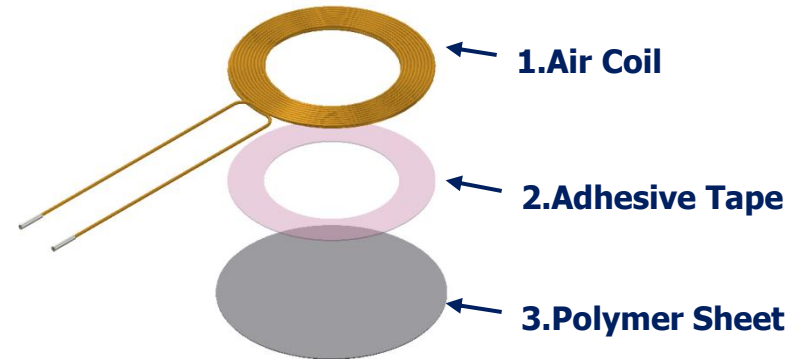
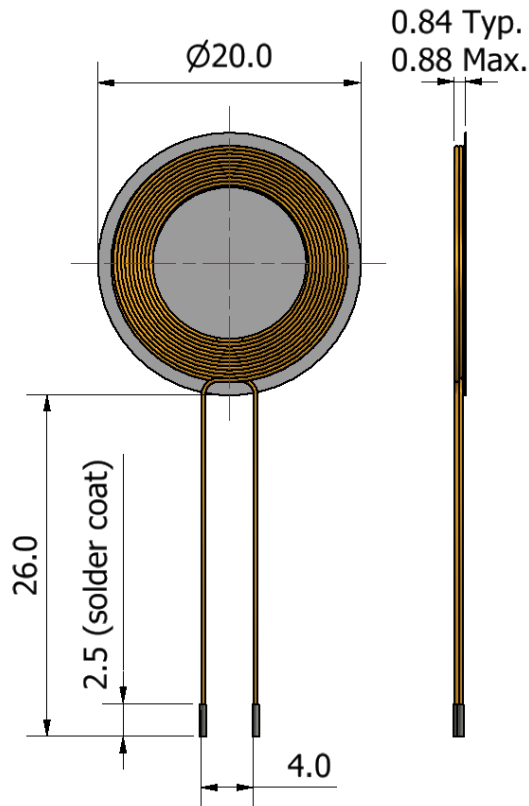


**= Dimension of coil unit =**



**= Electrical Characteristics =**

- $L_s$  [uH] :  $11.0 \text{ uH} \pm 5\%$  @ 100kHz
- $R_s$  [Ohm] :  $0.40 \Omega \pm 10\%$  @ 100kHz
- $R_{dc}$  [Ohm] :  $0.35 \Omega$  typ