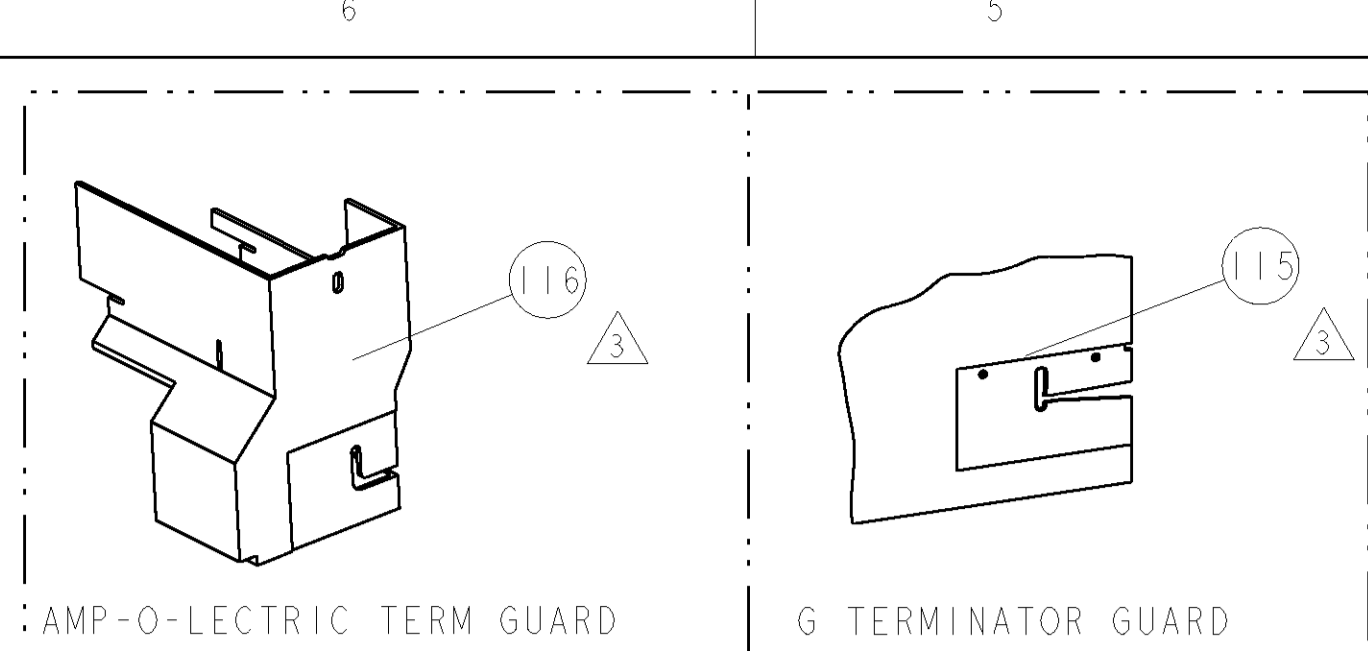
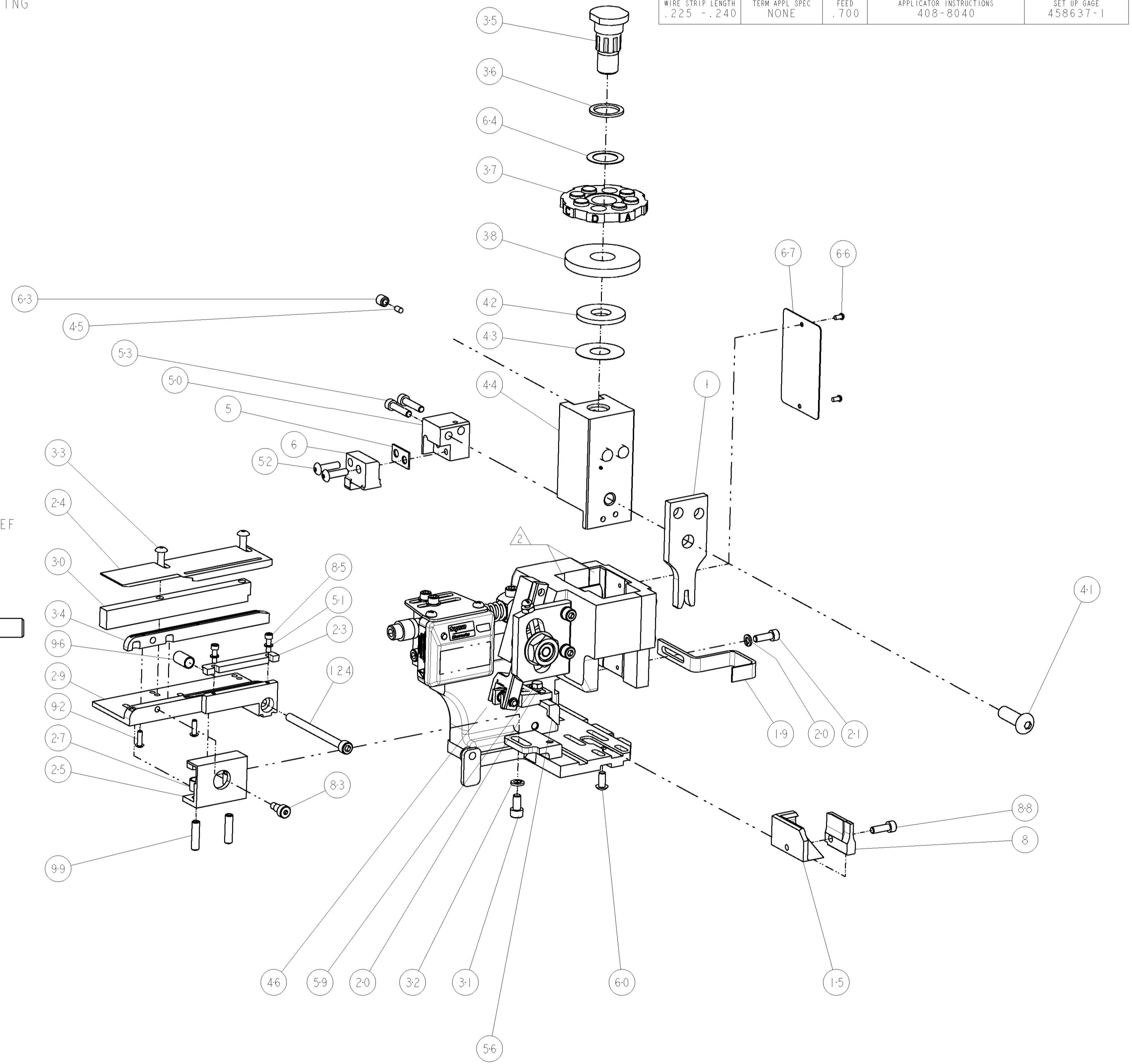
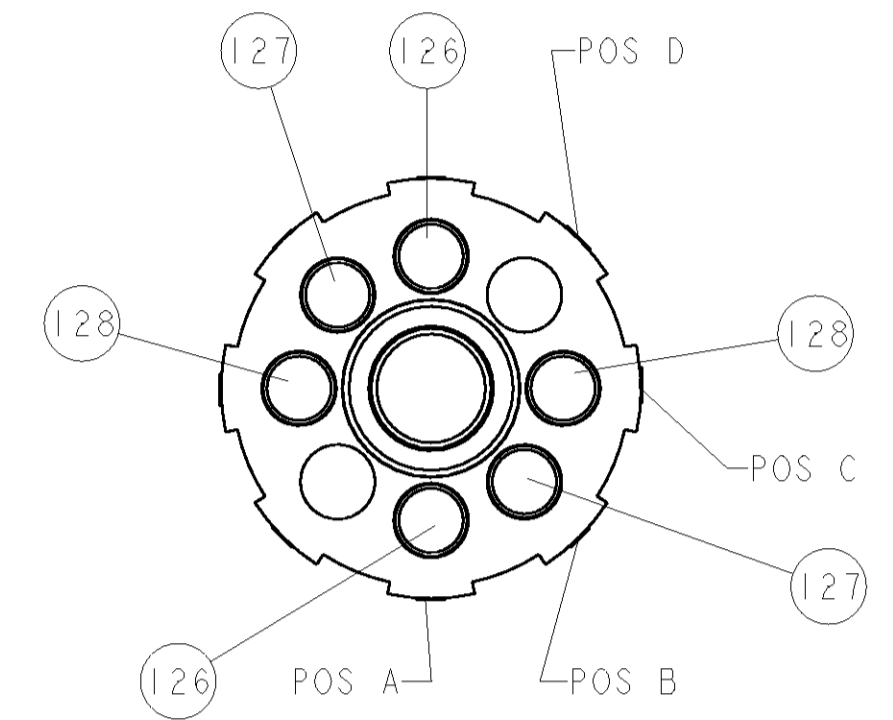


PART NUMBER	REV	FIRST USED	POWER UNIT	FEED TYPE	DESCRIPTION
1852508-1	A	122500-1	LEADMAKER	POST FEED	CUTS CARRIER
1852508-2	A	565435-5	BENCH MODEL K	PRE FEED	CUTS CARRIER
1852508-3	A	354500-1	BENCH MODEL G	PRE FEED	CUTS CARRIER
7-1852508-7	A	-	-	-	SPARE PARTS

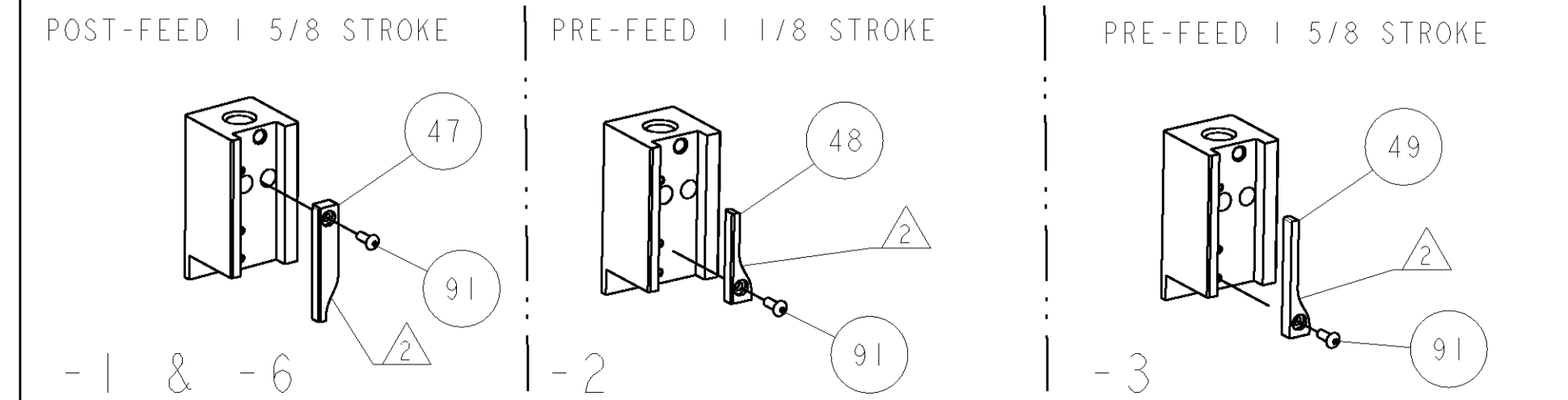


TE PN		MANUF PN		ETCO TERMINAL - TE CRIMP SPECS	
1949420	-	50977	-	CRIMP HEIGHT	WIRE SIZE
-	-	-	-	A .077±.002 [1.95±0.05mm]	14AWG
-	-	-	-	B .067±.002 [1.70±0.05mm]	16AWG
-	-	-	-	C .061±.002 [1.54±0.05mm]	18AWG
-	-	-	-	D -	-
-	-	-	-	CRIMP	SIZE TYPE RANGE
-	-	-	-	WIRE	.100 [2.54mm] F 18-14 AWG
-	-	-	-	INSUL	-
WIRE STRIP LENGTH	TERM APPL SPEC	FEED	APPLICATOR INSTRUCTIONS	SET UP GAGE	
.225 - .240	NONE	.700	408-8040	458637-1	

- △ RECOMMENDED SPARE PARTS
- △ GREASE LIGHTLY
- △ GUARD MUST BE IN PLACE WHEN OPERATING APPLICATOR IN A BENCH MACHINE



LOC	DIST	REV	DESCRIPTION	DATE	BY	APPD	
A	66		RELEASED	13SEP2007	MEH	GB	
-	2	2	2	-	5-354779-8	PIN, WIRE DISC, .3280	128
-	2	2	2	-	4-354779-4	PIN, WIRE DISC, .3210	127
-	2	2	2	-	1-354779-8	PIN, WIRE DISC, .3080	126
-	1	1	1	-	8-21000-7	SCR, SKT HD CAP 10-32 X 2.500	124
-	-	REF	-	..	455749-1	GUARD WINDOW	116
-	REF	-	-	..	679532-1	INSERT, GUARD	115
-	2	2	2	-	5-21006-6	SCR, SET, CUP POINT 10-32 X .750	99
-	1	1	1	-	1-22281-8	SPRING, COMPRESSION	96
-	2	2	2	-	1-21002-4	SCR, BTN SKT HD CAP 4-40 X .375	92
-	1	1	1	-	1-21002-7	SCR, BTN SKT HD CAP 6-32 X .375	91
-	1	1	1	-	2-21000-7	SCR, SKT HD CAP 8-32 X .500	88
-	2	2	2	-	1-21000-4	SCR, SKT HD CAP 4-40 X .375	85
-	1	1	1	-	21989-8	SCR, SKT HD SHLDR 3/16 DIA X .250	83
-	1	1	1	-	4088040	SF APPL INST 408-8040	72
-	1	1	1	-	217238-1	GENERAL INSTRUCTION PKG	71
-	1	1	1	-	461264-1	PLATE, IDENTIFICATION	67
-	2	2	2	-	21017-2	SCREW, DRIVE	66
-	1	1	1	-	986950-1	WASHER, FLAT PRECISION	64
-	1	1	1	-	21009-2	SCR, SET, SELF LOCKING 1/4-20 X .250	63
-	1	1	1	-	22733-8	SCR, BHSC, SELF-LOCKING, 8-32 X .375	60
-	1	1	1	-	2-22603-0	SCR, HEX HD CAP 8-32 X .312	59
-	1	1	1	-	2-694433-3	FEED PAWL	56
-	2	2	2	-	2-21000-9	SCR, SKT HD CAP 8-32 X .750	53
-	2	2	2	-	2-21002-3	SCR, BTN SKT HD CAP 8-32 X .625	52
-	2	2	2	-	21024-2	WASHER, SPRG LOCK, REG NO 4	51
-	1	1	1	-	1583893-3	HOLDER, SLUG BLADE	50
-	1	1	1	-	690602-6	CAM, PRE FEED, 1 5/8	49
-	1	1	1	-	690602-5	CAM, PRE FEED, 1 1/8	48
-	1	1	1	-	690501-4	CAM, POST FEED, 1 5/8	47
-	1	1	1	-	459456-1	APPL. BASIC SUB ASSY (SIDE WISE MOCA)	46
-	1	1	1	-	690191-1	PLUG, NYLON	45
-	1	1	1	-	455673-5	RAM, SIDE FEED	44
-	1	1	1	-	690125-1	SHIM SUB-ASSY	43
-	1	1	1	-	690124-1	WASHER, RAM (.115)	42
-	1	1	1	-	7-21002-9	SCR, BTN SKT HD CAP 5/16-24 X 1.00	41
-	1	1	1	-	690223-2	SPACER, INS.	38
-	1	1	1	-	354777-1	WIRE DISC, ASSEMBLY	37
-	1	1	1	-	22480-5	SPRING, COMPRESSION	36
-	1	1	1	-	690212-1	POST, RAM	35
-	1	1	1	-	1-189807-4	FENCE	34
-	2	2	2	-	2-21002-4	SCR, BTN SKT HD CAP 8-32 X .750	33
-	1	1	1	-	21024-5	WASHER, SPRG LOCK, REG NO 10	32
-	1	1	1	-	3-21000-4	SCR, SKT HD CAP 10-32 X .375	31
-	1	1	1	-	1320908-1	SPACER, STRIP GUIDE	30
-	1	1	1	-	1-1633087-0	PLATE, STRIP GUIDE	29
-	2	2	2	-	1-22282-3	SPRING, COMPRESSION	27
-	1	1	1	-	240793-4	LEVER, DRAG RELEASE	26
-	1	1	1	-	2-690754-6	DRAG, SPECIAL	25
-	1	1	1	-	1633333-5	PLATE, SLOTTED STRIP GUIDE	24
-	1	1	1	-	3-690487-2	GUIDE, FRONT STRIP	23
-	1	1	1	-	2-21000-7	SCR, SKT HD CAP 8-32 X .500	21
-	2	2	2	-	21024-4	WASHER, SPRG LOCK, REG NO 8	20
-	1	1	1	-	1-456468-2	STRIPPER, SPECIAL	19
-	1	1	1	-	1-1633124-4	PLATE, REAR SHEAR	15
-	-	-	-	-	-	-	13
-	-	-	-	-	-	-	12
-	-	-	-	-	-	-	11
-	-	-	-	-	-	-	10
-	-	-	-	-	-	-	9
△	1	1	1	1	1633592-1	ANVIL, WIRE, CENTER CARRIER	8
-	-	-	-	-	-	-	7
△	1	1	1	1	1633593-1	BLADE, SLUG	6
-	1	1	1	1	2-240641-8	SPACER	5
-	-	-	-	-	-	-	4
-	-	-	-	-	-	-	3
△	1	1	1	1	1633588-2	CRIMPER, WIRE	1



DIMENSIONS:		TOLERANCES UNLESS OTHERWISE SPECIFIED:		DWG: HERR 16AUG2007		Tyco Electronics Tyco Electronics Harrisburg, PA 17105-3608	
INCHES		0 PLC ±.01		CHK: G. BAILEY 16AUG2007		NAME: SIDE FEED HDM APPLICATOR	
1 PLC ±.01		1 PLC ±.01		APVD: T. BENCHOFF 16AUG2007		PRODUCT SPEC: -	
2 PLC ±.01		3 PLC ±.001		APPL. SPEC: -		SIZE: CAGE CODE: DRAWING NO: RESTRICTED TO	
3 PLC ±.001		4 PLC ±.0001		MATERIAL: -		WEIGHT: -	
ANGLES ±.0001		FINISH: -		CUSTOMER DRAWING: -		SCALE: 3:5 SHEET 1 OF 1 REV A	

CUSTOMER VIEWABLE ASSEMBLY