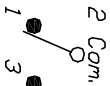


SECTION A-A

CONTACTS & BRACKET REMOVED FOR CLARITY

RECOMMENDED P.C.B LAYOUT

SCALE: 2X

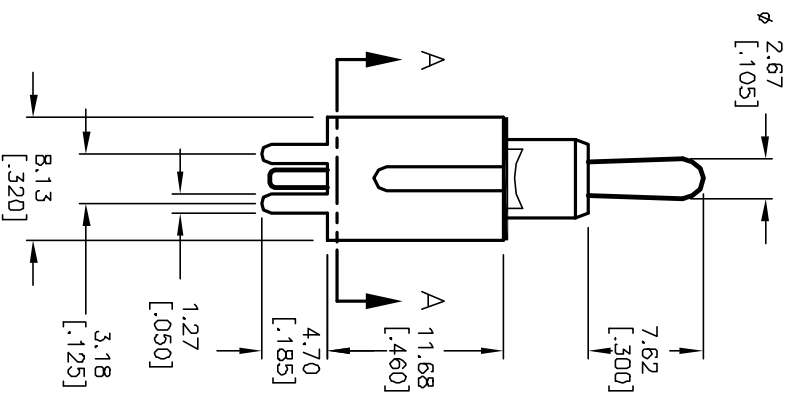
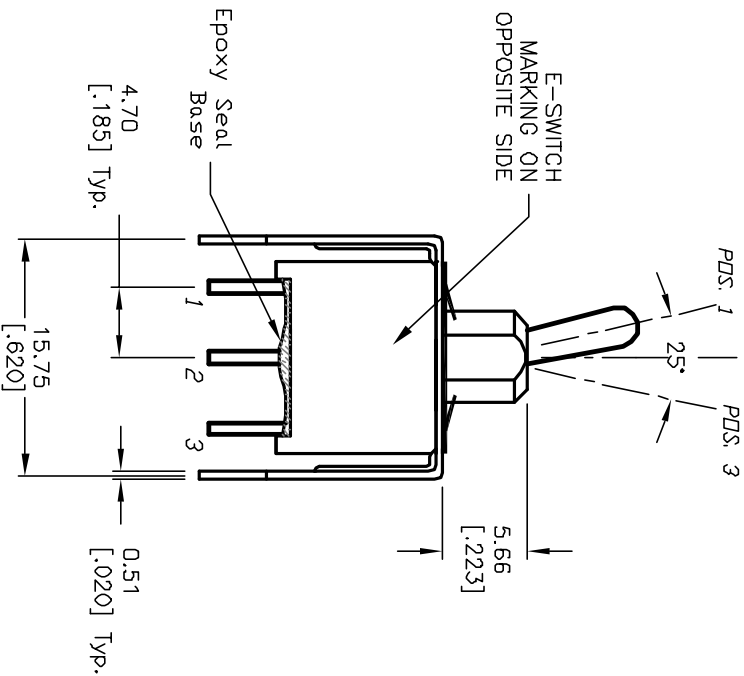


SPDT CIRCUIT CONTACT CONFIGURATION

SWITCH FUNCTION		
POS. 1	POS. 2	POS. 3
DN	NONE	DN
2-3	OPEN	2-1

NOTES:

1. ALL DIMENSIONS IN MM
2. GENERAL TOLERANCE: X.XX=±0.4 X:XX=±0.25
3. TERMINAL NUMBERS FOR REF ONLY
4. RATING: 5A @120V AC or 2BVDC; 2A @250VAC
5. FIXED TERM. & MOVING CONTACT: COPPER ALLOY w/SILVER PLATE
6. ELECTRIC LIFE: 50,000 make-and-break cycles at full load.
7. INSULATION RESISTANCE: 1,000 Mega-ohm min.
8. DIELECTRIC STRENGTH: 1,000 V RMS @sea level.
9. OPERATING TEMP.: -30°C to 85°C



E-SWITCH®

REV.	ECN NO.	DESCRIPTION	DATE	CHKD
B	12221	REVISED AND REDRAWN	6/11/02	CB

TITLE	SCALE	DATE	DR	DWG	REV
100A WSP-1 T2 B4 VS2 Q E	2:1	6/11/02	CB	T110013	B

THE INFORMATION CONTAINED IN THIS DOCUMENT IS PROPRIETARY TO E-SWITCH AND IS NOT TO BE COPIED OR TRANSMITTED