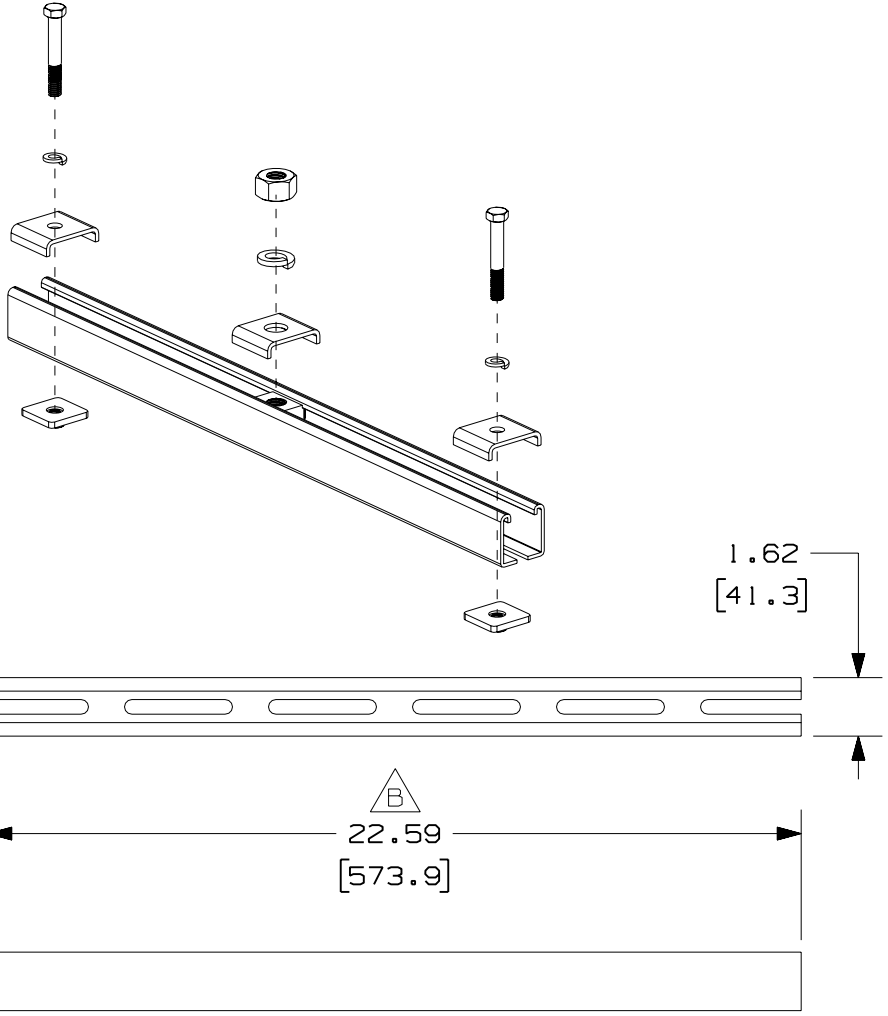


THIS COPY IS PROVIDED ON A RESTRICTED BASIS AND IS NOT TO BE USED IN ANY WAY DETRIMENTAL TO THE INTERESTS OF PANDUIT CORP.



PANDUIT P/N	WEIGHT
FR4PRB58	4.39 LB/EACH 1990g/EACH



NOTES:

1. SEE CURRENT CATALOG FOR ADDITIONAL PART SUFFIXES TO INDICATE PACKAGE QUANTITY.
2. THE FIBER ROUTING 4-POST RACK BRACKET ALLOWS FOR 5/8" THREADED ROD (NOT INCLUDED) TO BE MOUNTED TO THE TOP OF A PANDUIT 4-POST RACK (CMR4P84).
3. THE FIBER ROUTING 4-POST RACK BRACKET KIT INCLUDES:
 - ONE (1) STRUT METAL FRAMING CHANNEL,
 - TWO (2) SQUARE NUT PEM SELF-CLINCHING ASSEMBLIES,
 - TWO (2) STRUT METAL FRAMING CHANNEL U-WASHERS - 7/16" HOLE,
 - TWO (2) 3/8" HELICAL SPRING LOCKWASHERS,
 - TWO (2) 3/8-16x2 1/2" HEX HEAD CAP SCREWS,
 - ONE (1) STRUT METAL FRAMING CHANNEL U-WASHER - 11/16" HOLE,
 - ONE (1) 5/8" HELICAL SPRING LOCKWASHER,
 - ONE (1) 5/8-11 HEAVY HEX NUT,
 - ONE (1) 5/8-11 CHANNEL NUT WITHOUT SPRING
4. FINISH COLOR: BLACK (EXCEPT FOR HARDWARE).
5. DIMENSIONS IN PARENTHESES ARE IN METRIC.

ENG. REF.: D38780BN_DC_FR4PRB58_01.prt

CAD FILENAME/LAYERS: FR4PRB58.pdf

REV	DATE	BY	CHK	DESCRIPTION	ECN	R	CUST	SUP	GMBH
-	-----	---	--	C. REVISED PART WEIGHT.	-----	--	--		
1	7-10-07	MSO	RN	B. REVISED PART GEOMETRY. A. REVISED DRAWING TITLE.	38780-10	RN	RN		
R	5-18-04	MSO	RPA	RELEASED TO PRODUCTION	38780-10	RN	RN		

		TINLEY PARK, ILLINOIS	
FIBER ROUTING 4-POST RACK BRACKET - 5/8" THREADED ROD (FR4PRB58) CUSTOMER DRAWING			
UNLESS OTHERWISE SPECIFIED, DIMENSIONAL TOLERANCES ARE: (.X) ± (.XXX) ± (.XX) ± .03 (.8) ANGLES ±		UNLESS OTHERWISE SPECIFIED, ALL DIMENSIONS ARE GIVEN IN INCHES, THIRD ANGLE PROJECTION.	
DRAWN BY: MSO DATE: 5-18-04 CHK'D: RPA	MAT'L: STEEL	SCALE: NONE	DRAWING NO.: 38780-10 DWG SIZE: A