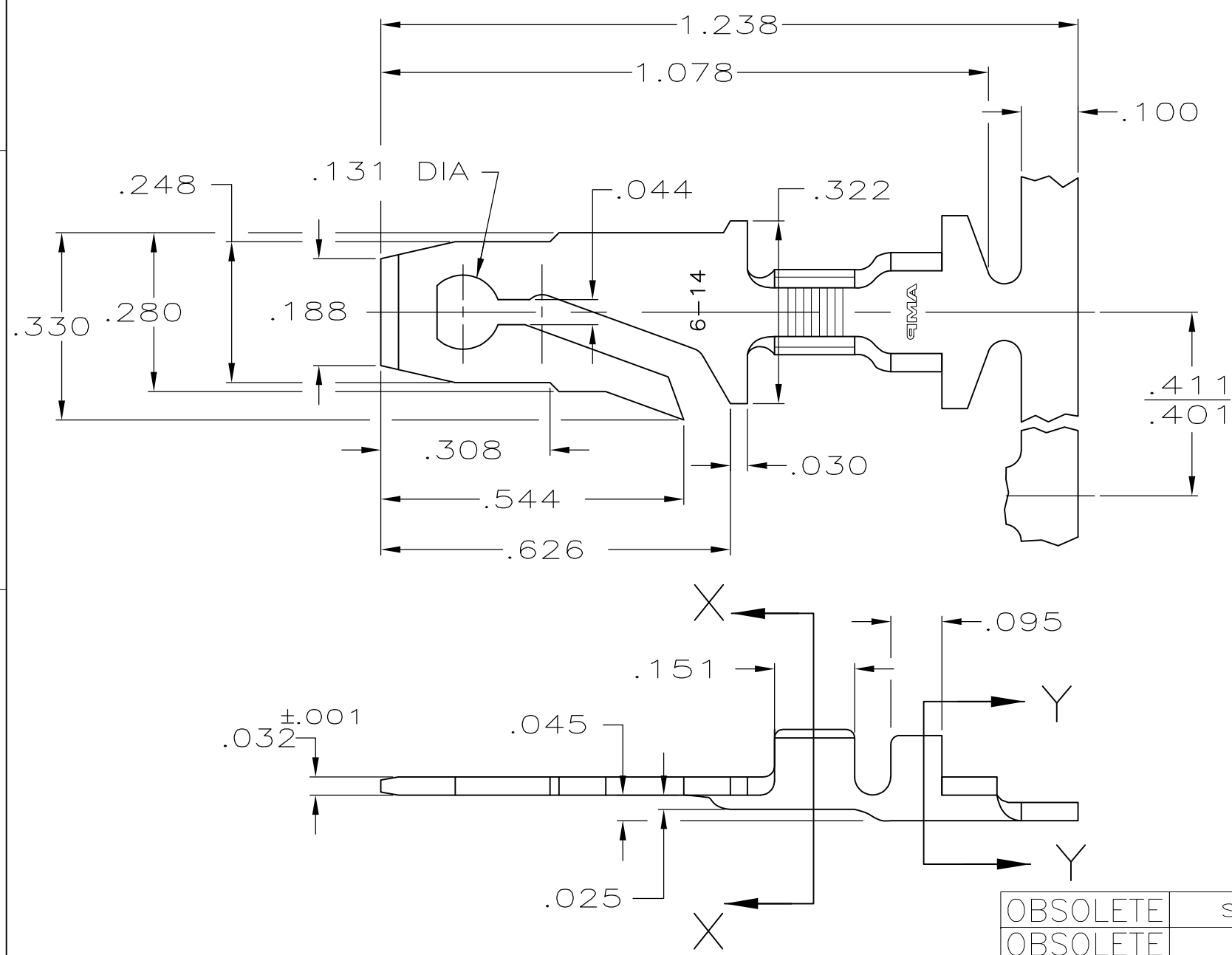
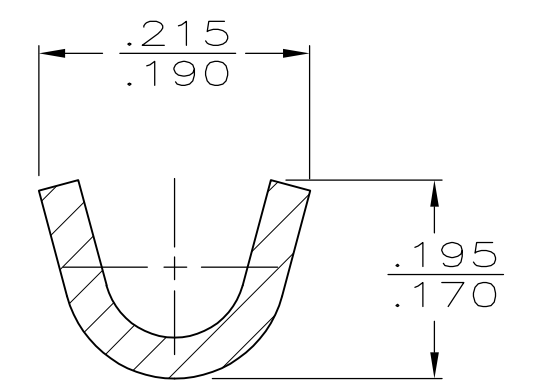
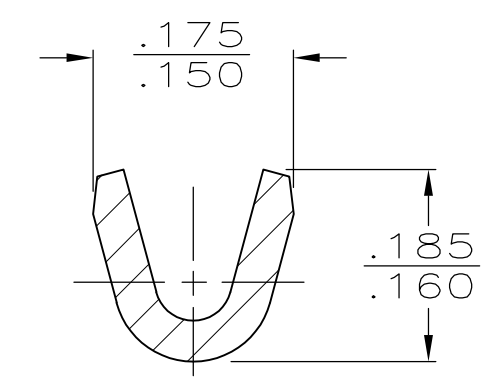


THIS DRAWING IS UNPUBLISHED. RELEASED FOR PUBLICATION
 © COPYRIGHT BY TYCO ELECTRONICS CORPORATION. ALL INTERNATIONAL RIGHTS RESERVED.

LOC	DIST	REVISIONS					
AF	50	P	LTR	DESCRIPTION	DATE	DWN	APVD
			V	REVISED PER ECR-10-004058	08JUN10	HMR	PD



1. CONTINUOUS STRIP ON REELS



OBSOLETE	SILVER OILED	.090-.130	16-14	60794-4
OBSOLETE	SILVER	.090-.130	16-14	60794-3
	TIN	.090-.130	16-14	60794-2
OBSOLETE	-	.090-.130	16-14	60794-1
	FINISH	INSUL RANGE	WIRE SIZE	PART NO

THIS DRAWING IS A CONTROLLED DOCUMENT.		DWN	JR RUTH	11/8/88	Tyco Electronics Corporation Harrisburg, PA 17105-3608
DIMENSIONS: INCHES		CHK	MS FEHER	11/8/88	
		APVD	C MEYERS	11/8/88	
TOLERANCES UNLESS OTHERWISE SPECIFIED:		PRODUCT SPEC		NAME	
0 PLC ± -		-		TAB, FASTON,™	
1 PLC ± -		-		.250 SERIES	
2 PLC ± -		APPLICATION SPEC		SIZE	CAGE CODE
3 PLC ± .015		114-2029		A3	00779
4 PLC ± -		WEIGHT		DRAWING NO	
ANGLES ± -		-		G-60794	
FINISH		CUSTOMER DRAWING		RESTRICTED TO	
#2H BRASS		SEE TABLE		SCALE	4:1
				SHEET	1 OF 1
				REV	V