

# PRODUCT DATASHEET

PART NUMBER: C5031NL

- Filter 1125-1525 MHz
- Suitable for MoCA Applications
- Impedance = 75 Ohms
- RoHS Compliant

**Electrical Specifications @ 25°C**

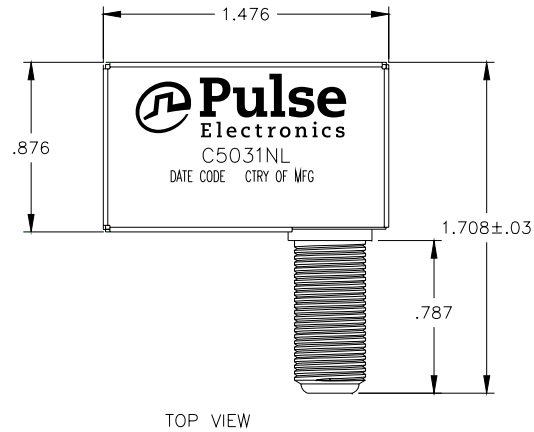
**INSERTION LOSS :**

5-800 MHz	801-864 MHz	865-975 MHz	1125-1525 MHz	2000-3000 MHz	3000-4600 MHz	4600-6000 MHz			
48 dB	42 dB	40 dB	3.0 dB	30 dB	30 - 25 dB	25 - 5 dB			

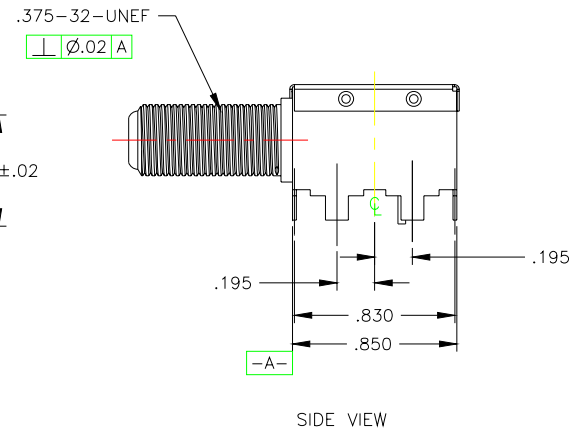
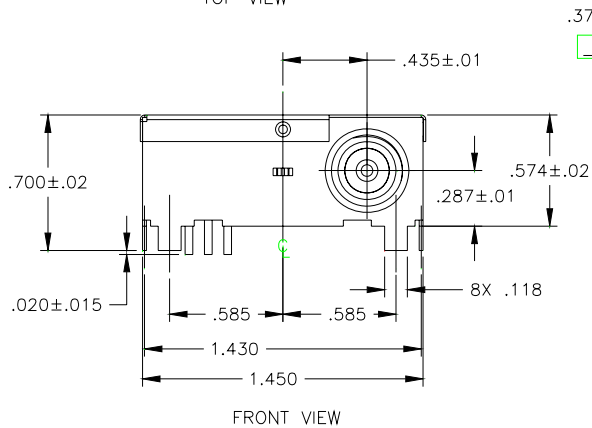
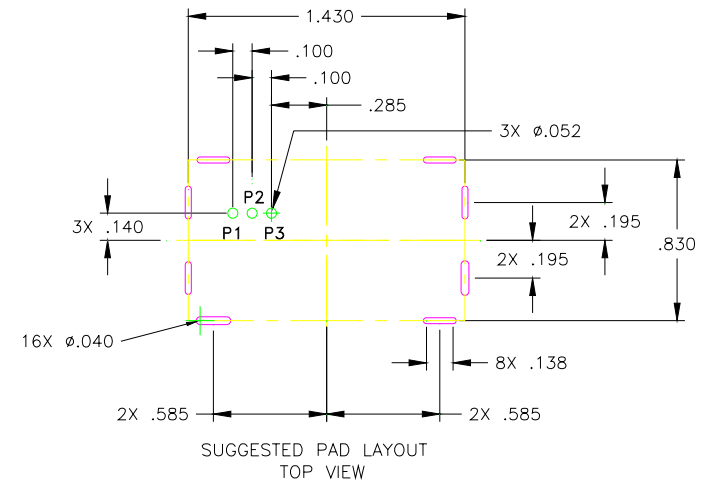
**RETURN LOSS :**

1125-1525 MHz									
10 dB									

## Mechanical Specifications



DESIGNATIONS	
COMMON PORT	F-CONNECTOR
HIGHPASS	PIN 2
GROUND (GND)	PINS 1 & 3



DIMENSIONS	INCH
TOLERANCES	.XX +/- .01
	.XXX +/- .005

### Housing Specifications:

F-Connector: Female Type  
 F-Connector Torque Resistance: 20 inch lbs in 10 seconds  
 Housing: SPTE

### Pulse

12220 World Trade Dr.  
 San Diego, CA 92128  
 U.S.A. [www.pulseeng.com](http://www.pulseeng.com)  
 TEL: 858 674 8100  
 FAX: 858 674 8262

081908-A