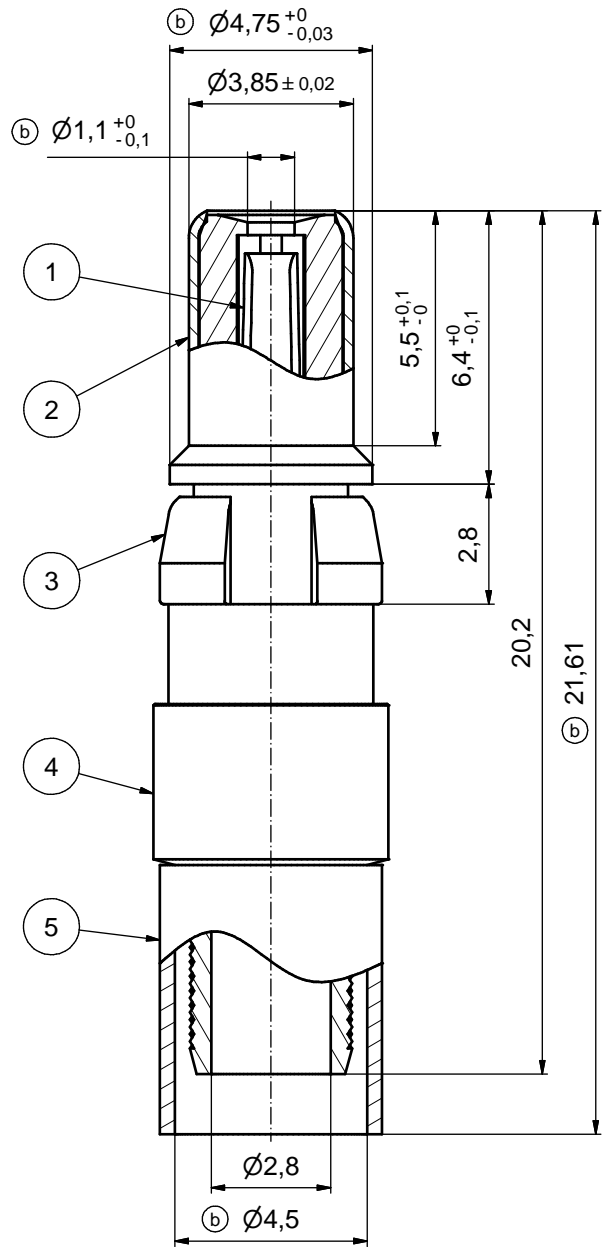
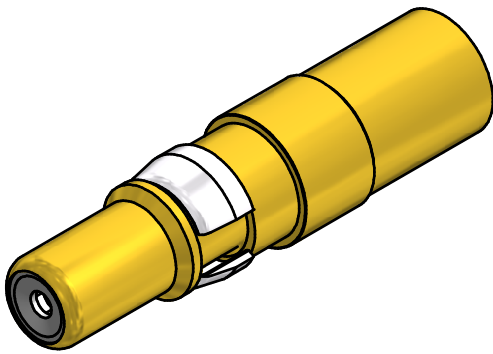
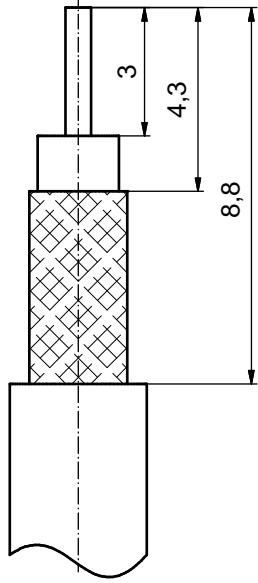


**(b) STRIPPING DIMENSIONS**



**(b) ASSEMBLY TOOLING:**

1. CENTER CONTACT:  
USE CRIMP TOOL: 360X10329X  
WITH TOOL INSERT: 360X11049X  
SELECTOR SETTING: 3 (FOR AWG 30 CENTER CONDUCTOR OF CABLE)
2. CRIMP FERRULE:  
USE CRIMP TOOL: 360X10519X  
WITH TOOL INSERT: 360X11019X  
INSERT CAVITY A: HEX 4.52/.178

Part no.	Finish Pos.1	Finish Pos.2	Finish Pos.3	Finish Pos. 4/5
131J31029X	min. 50µin HARD GOLD over min. 50µin NICKEL	min. 30µin HARD GOLD over min. 50µin NICKEL	NICKEL PLATED	GOLD FLASH over NICKEL
131A31029X	GOLD FLASH over NICKEL	GOLD FLASH over NICKEL	NICKEL PLATED	GOLD FLASH over NICKEL

Directive 2002/95/EC RoHS compliant

THIS DRAWING MAY NOT BE COPIED OR REPRODUCED IN ANY WAY, AND MAY NOT BE PASSED ON TO A THIRD PARTY WITHOUT WRITTEN PERMISSION. OWNERSHIP AND COPYRIGHT OF CONEC GmbH DO NOT ALTER CAD DRAWING BY HAND	tolerance		dim. in mm		scale: 8:1
	date		name		material: COPPER ALLOY (Pos. 1 - 5) (b)
	drawn	06.06.01	Parei		title: COAXIAL CONTACT PUG 75 OHM inner + outer conductor for crimp termination for cable RG 180BU
	appd.	07.06.01	Koch		
	norm			d-old	
8 x b	A3774	10.01.11	HS	dwg no: 13K2IAVA	DIN-A3
a	Origin			part no: see table	sh: 1
rev.	description	date	name	<b>CONEC</b>	