

LOC	DIST	REVISIONS					
		P	LTR	DESCRIPTION	DATE	DWN	APVD
A1	-		C	-3 hinzu	19FEB2002	-	Lau.
			D	NEW CAVITY DETAIL ADDED	29AUG2006	Haas	Goep.
			D1	ECR-10-026307	17JUN2011	KK	HMR

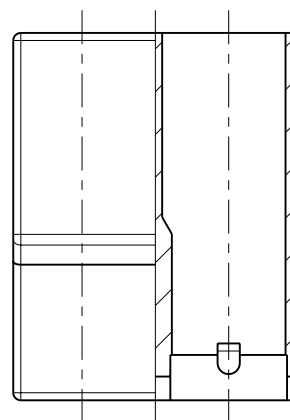
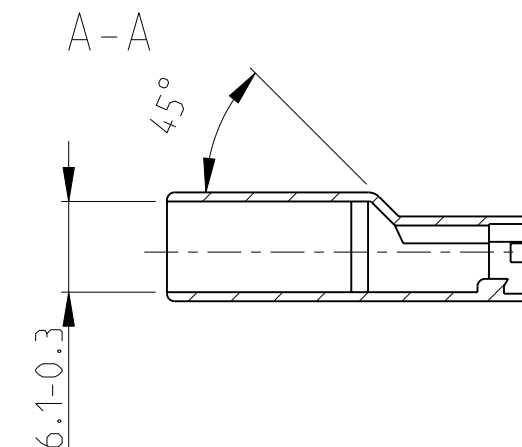
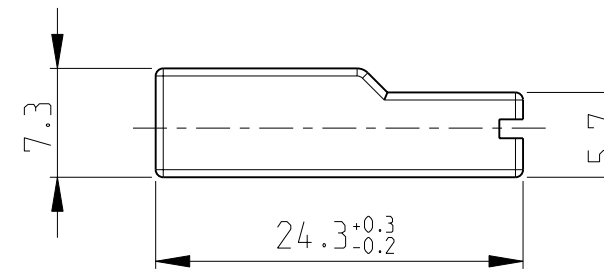
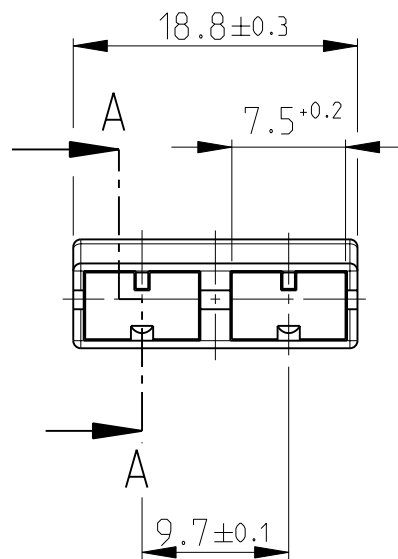
war 80-9407 was

FORD 82GB-13480-AA Nummer des Schalters  
number of the switch

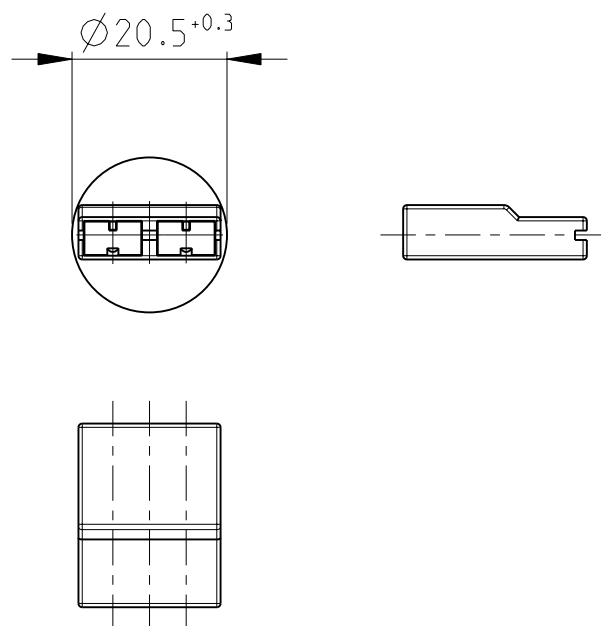
FORD 82 GG 14488 NA

Bemerkungen:  
notes:

1 - FOR FORD ONLY



Maßstab: 1:1  
scale




für Flachstecker: SL 100.56 Form B  
for tab:

Gehäusematerial gemäß: FORD SPEC SKM-4D 9585-A/B  
housing material to:

passend zu Zeichnung: 94BG-14474-ZAA  
fitting with drawing:

OBSOLETE	<del>926 716-3</del>	PA 6.6	BLACK
	926 716-2 1	PA 6.6	NATURAL
	926 716-1 1	PA 6.6	BLACK
	PART NO	MATERIAL	COLOR

THIS DRAWING IS A CONTROLLED DOCUMENT.		DWN	W.E.Mukohl	13JUN1980	 TE Connectivity		
DIMENSIONS: mm		CHK	Wendling	-			
TOLERANCES UNLESS OTHERWISE SPECIFIED:		APVD	Bleicher, M.	01SEP2006	NAME		
0 PLC ±0.2 1 PLC ± 2 PLC ± 3 PLC ± 4 PLC ± ANGLES ±1°30'		PRODUCT SPEC	2POS. POSITIVE LOCK HOUSING			RESTRICTED TO	
MATERIAL -		FINISH -	APPLICATION SPEC -		SIZE	CAGE CODE	DRAWING NO
		WEIGHT	1.08g		A3	00779	©=926716
		CUSTOMER DRAWING			SCALE	2:1	SHEET 1 OF 1
					REV D1		