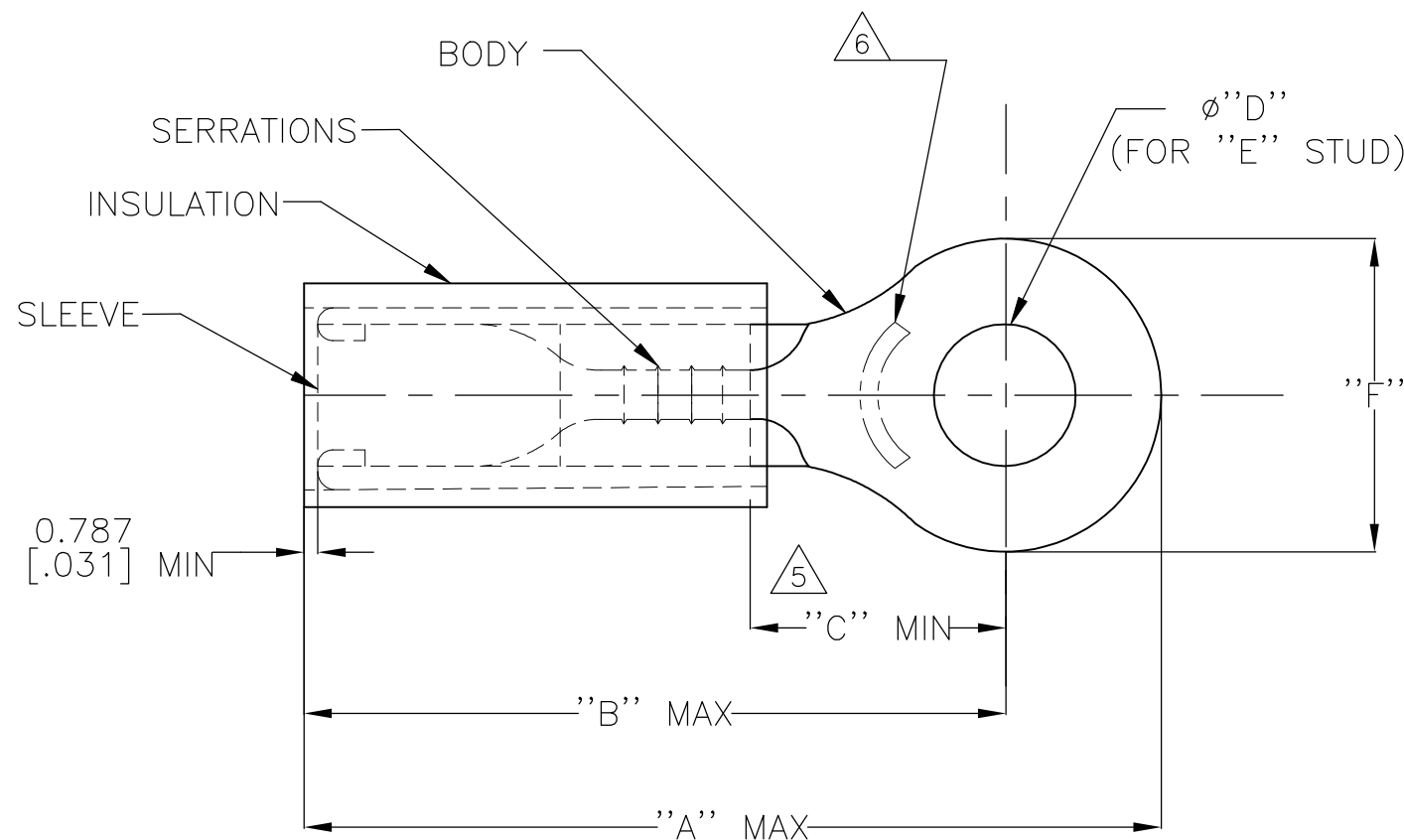


THIS DRAWING IS UNPUBLISHED. RELEASED FOR PUBLICATION  
 © COPYRIGHT - By - ALL RIGHTS RESERVED.

REVISIONS					
P	LTR	DESCRIPTION	DATE	DWN	APVD
	K4	REVISED PER ECO-15-016493	28NOV2015	NK	DR
	K5	REVISED PER ECO-17-016703	02APR2018	RS	DR



- 1 BODY: COPPER ASTM B152  
GOLD PL ASTM B488 TYPE 1, CODE C  
0.0012[.00005] MIN EXT THK OVER NICKEL PLATE  
SAE AMS QQ-N-290 0.00076 [.00003] AVG THK  
SLEEVE: COPPER ASTM B152  
NICKEL PL SAE AMS QQ-N-290  
0.00076 [.00003] AVG EXT. THK
- 2 FOR 2.032[.080] TO 3.810[.150] WIRE INSULATION DIA.
- 3 BODY MATERIAL THK: 0.787±0.051 [.031±.002]
- 4 NOTE DELETED
- 5 DIMENSION APPLIES FROM EDGE OF METAL WIRE BARREL TO CENTER OF STUD HOLE
- 6 STAMP "AMP 14" APPROX AS SHOWN

1-332438-0	17.856 [.703]	14.605 [.575]	4.343 [.171]	3.683±0.076 .145±.003	M3.5 [#6]	6.350 [.250]
PART NO.	"A"	"B"	"C"	"D"	"E"	"F"

1000	LOOSE PIECE	1-332438-0	PTFE (ASTM D3295) COLOR: WHITE
QTY	PACKAGE TYPE	PART NO.	INSULATION MATERIAL

AMP INCORPORATED CUSTOMER SERVICE SYSTEMS		MAX RECOMMENDED OPERATING TEMPERATURE: 260°C [500°F]	THIS DRAWING IS A CONTROLLED DOCUMENT.		DWN 01DEC2015 NAGALAKSHMI K	<b>STE</b> TE Connectivity Ltd.			
FOR ADDITIONAL PRODUCT INFORMATION OR COPIES OF DRAWINGS AND TECHNICAL DOCUMENTS	PRODUCT INFORMATION CENTER 1-800-522-6752	VOLTAGE RATING: 300V MAX	DIMENSIONS: mm [INCHES]	TOLERANCES UNLESS OTHERWISE SPECIFIED:	CHK 01DEC2015 MERCURIO MAURIZIO			NAME	
FOR APPLICATION TOOLING INFORMATION	TOOLING ASSISTANCE CENTER 1-800-722-1111	CIRCULAR MIL AREA: 2.15mm²[4,234] STRANDED WIRE ONLY		0 PLC ± - 1 PLC ± - 2 PLC ± - 3 PLC ± 0.127[.005] 4 PLC ± - ANGLES ± 5°	APVD 01DEC2015 MERCURIO MAURIZIO	WIRE TERMINAL PIDG, STRATO-THERM, RING TONGUE WIRE SIZE:14 AWG			
FOR ORDER ENTRY	1-800-526-5142		MATERIAL 1	FINISH 1	PRODUCT SPEC	SIZE	CAGE CODE	DRAWING NO	RESTRICTED TO
			SEE TABLE	SEE TABLE	—	A3	00779	C-332438	—
CUSTOMER DRAWING						SCALE	SHEET	REV	
						NTS	1 OF 1	K5	