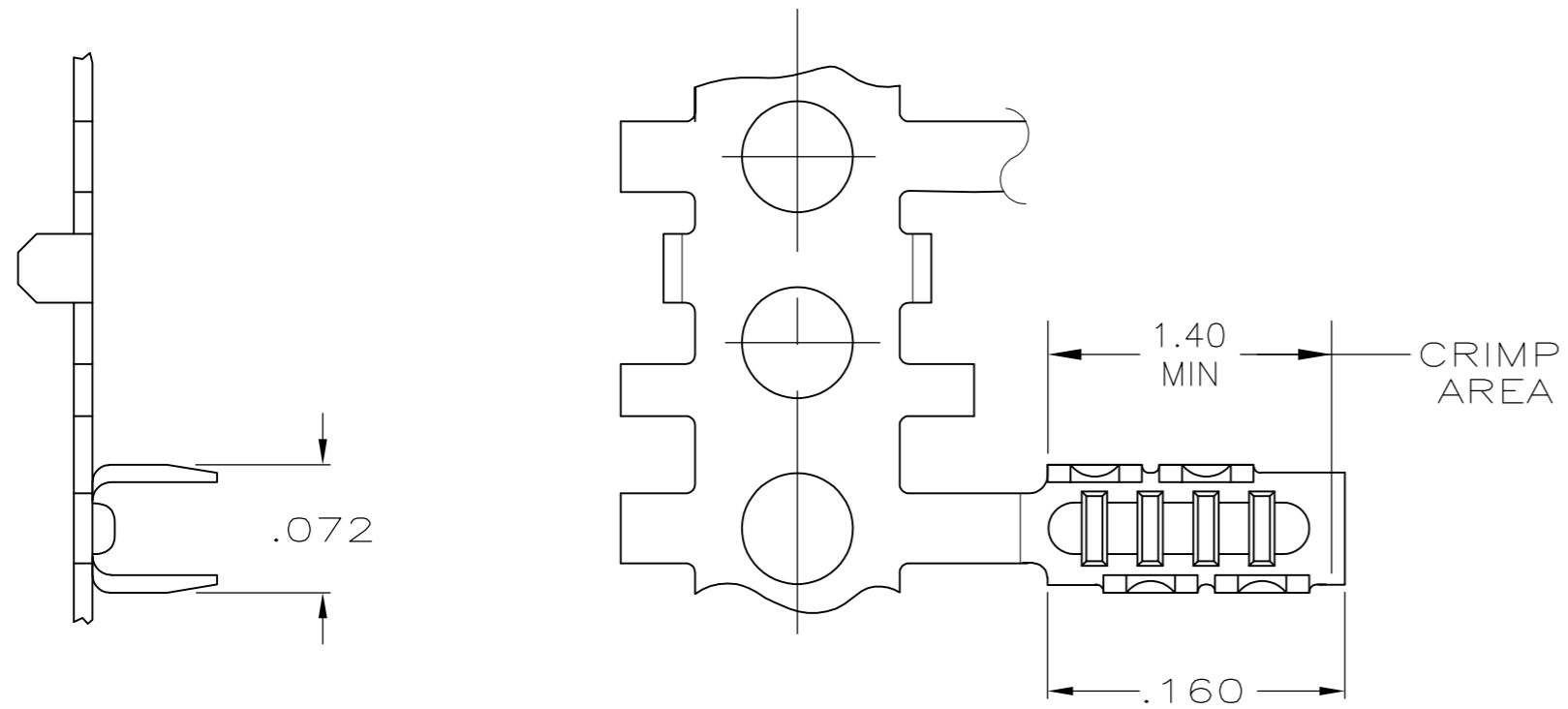
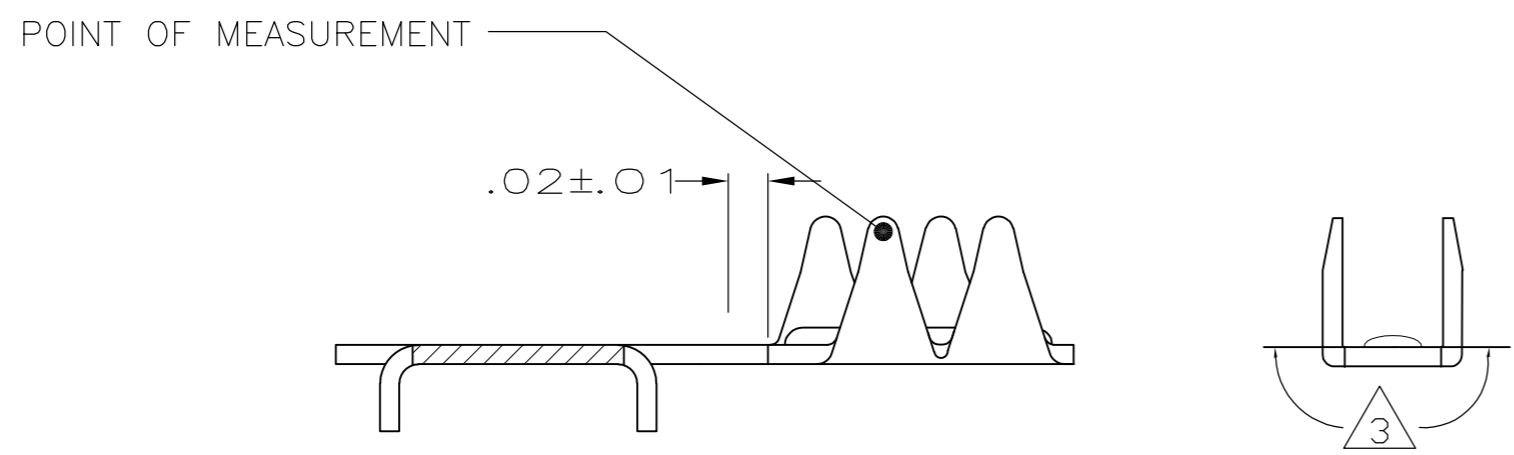


THIS DRAWING IS UNPUBLISHED. RELEASED FOR PUBLICATION
 © COPYRIGHT BY TYCO ELECTRONICS CORPORATION. ALL RIGHTS RESERVED.

LOC	DIST	REVISIONS			
P	LTR	DESCRIPTION	DATE	DWN	APVD
GP	00				
	K	REVISED PER ECO-12-011709	26JUN2012	RW	SY



- ① .000100 MIN BRIGHT TIN/LEAD OVER
.000050 MIN NICKEL OVER ENTIRE CONTACT
- ② GOLD FLASH IN CRIMP AREA, OVER
.000050 MIN NICKEL OVER ENTIRE CONTACT.
- ③ GOLD PLATING MAY OR MAY NOT BE PRESENT
ON THE BOTTOM OF THE CRIMP BARREL IN
THIS AREA.



SUPERSEDED BY 494060-3	②③	494060-3
	①	494060-2
	FINISH	PART NUMBER

THIS DRAWING IS A CONTROLLED DOCUMENT.		DWN 2-13-86 D.DOLLYHIGH	Tyco Electronics Corporation Harrisburg, PA 17105-3608	
DIMENSIONS: INCHES		CHK 2-13-86 D.WORTHINGTON	NAME	
TOLERANCES UNLESS OTHERWISE SPECIFIED:		APVD 2-13-86 R. SMITH	SPLICE, FFC MULTIPLE CRIMP	
0 PLC ± - 1 PLC ± - 2 PLC ± - 3 PLC ± .005 4 PLC ± - ANGLES ± -		PRODUCT SPEC	SIZE	RESTRICTED TO
MATERIAL: PHOS BRONZE		APPLICATION SPEC: 114-16015	CAGE CODE: A2 00779	DRAWING NO: C=494060
FINISH: SEE TABLE		WEIGHT: -	SCALE: 4:1	SHEET: 1 of 1
		CUSTOMER DRAWING	REV: K	