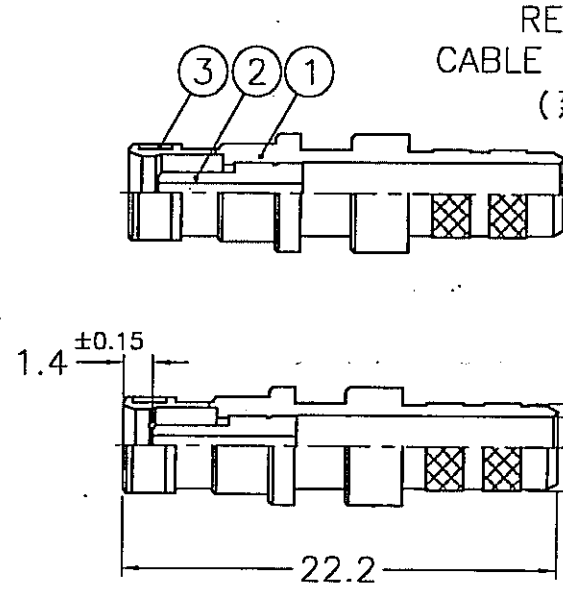
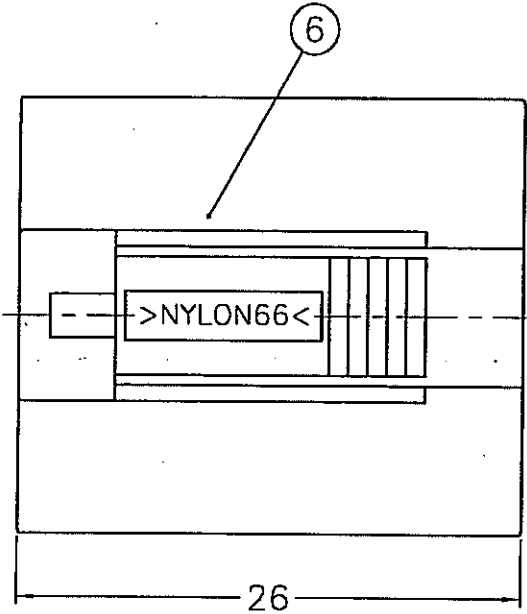
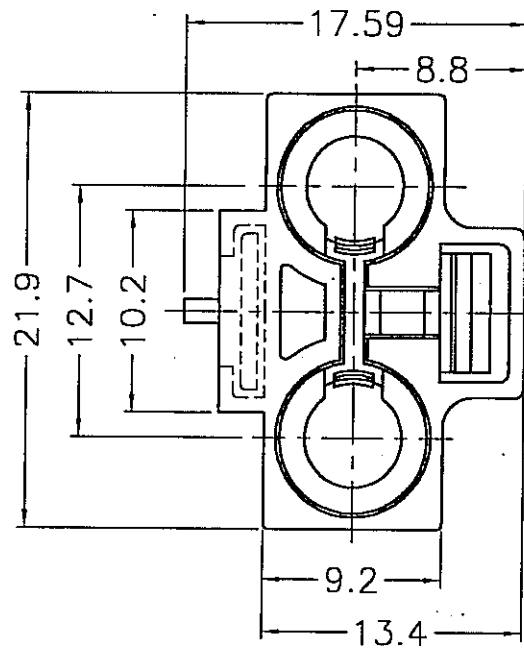
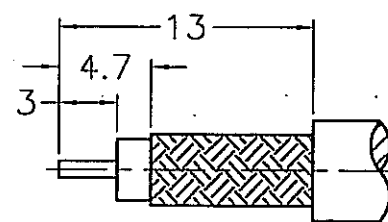


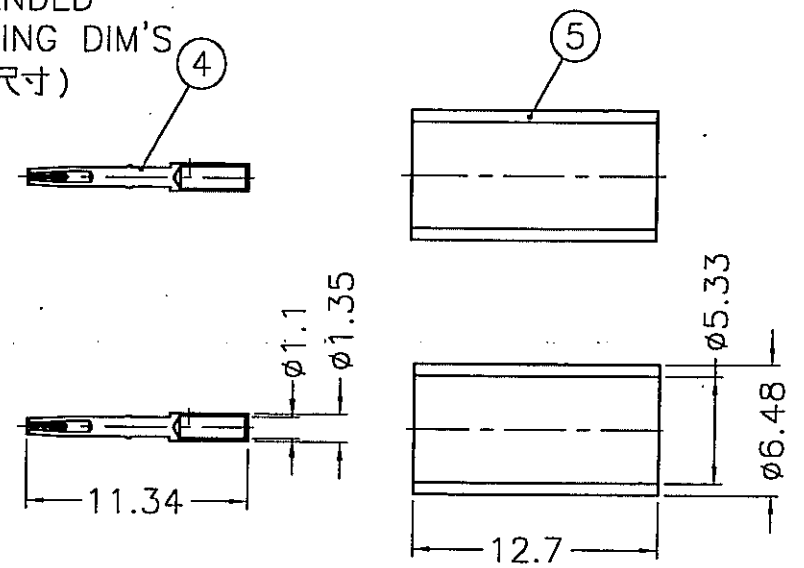
REVISIONS			
ISS	ZONE	DESCRIPTION\PER REQUEST\DATE	
H	C-5	ADD 4 ROUND RIBS ON CLIP, FKLC00001B WAS FKLC00001A \RD-DM06032401B\ 24-Mar-06	
H1	C-5	ADDED: ±0.20, REMOVED 8mm\ECO\8-05-06'	
H2	C-7	ADDED PPAP QUALIFIED \ECO 45992\6-07-06'	



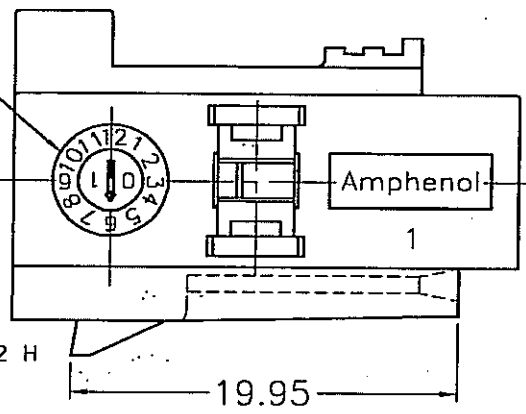
RECOMMENDED  
CABLE STRIPPING DIM'S  
(建議剝線尺寸)



1. CRIMPED FERRULE  
HEX. CRIMP SIZE .213"
2. CRIMPED CONTACT PIN  
SQ. CRIMP SIZE .042"



DATE MARK  
(日期記號)



**CONFIGURATION CONTROL:**  
NO CHANGES PERMITTED TO DRAWING WITHOUT  
PPAP QUALIFIED CUSTOMER APPROVAL

- NOTES: FINISH (PLATING THICKNESS IN MICRO-INCHES)
1. BRASS PER QQ-B-626, ALLOY 360, 1/2 H ; JIS H3250 C 3604BD OR EQUIVALENT
  2. BERYLLIUM COPPER PER QQ-C-530, ALLOY 173, 1/2 H ; FUJII FX301 OR EQUIVALENT
  3. NICKEL PL. 60 MIN. THICK OVER COPPER STRIKE
  4. GOLD PL. 30 MIN. THICK OVER NICKEL PL. 100 MIN. THICK OVER COPPER STRIKE
  5. TEFLON MIL-P-1946B OR EQUIVALENT
  6. COPPER PER ASTM B-75 ALLOY C12200 OR EQUIVALENT
  7. NYLOY66(WITH 33% GLASS FIBER) PER NYTEX COMPOSITES CO., LTD. GRADE MG-0033N-V0 OR EQUIVALENT
  8. PBT(WITH 15% GLASS FIBER) PER CHANG CHUN GRADE 4115202

KEY CODING	PART NO.	DRAWING NO.	ITEM NO.	LOCK COVER
A	FA2-NASJ-C04-6	FKT6121AW-010-NT30G-50	FK7121ABA57NC5F	FKLC20701B
B	FA2-NBSJ-C04-6	FKT6121BW-010-NT30G-50	FK7121ABB57NC5F	FKLC20702B
C	FA2-NCSJ-C04-6	FKT6121CW-010-NT30G-50	FK7121ABC57NC5F	FKLC20703B
D	FA2-NDSJ-C04-6	FKT6121DW-010-NT30G-50	FK7121ABD57NC5F	FKLC20704B
E	FA2-NESJ-C04-6	FKT6121EW-010-NT30G-50	FK7121ABE57NC5F	FKLC20705B
F	FA2-NFSJ-C04-6	FKT6121FW-010-NT30G-50	FK7121ABF57NC5F	FKLC20706B
G	FA2-NGSJ-C04-6	FKT6121GW-010-NT30G-50	FK7121ABG57NC5F	FKLC20707B
H	FA2-NHSJ-C04-6	FKT6121HW-010-NT30G-50	FK7121ABH57NC5F	FKLC20708B
I	FA2-NISJ-C04-6	FKT6121IW-010-NT30G-50	FK7121ABI57NC5F	FKLC20709B
K	FA2-NKSJ-C04-6	FKT6121KW-010-NT30G-50	FK7121ABK57NC5F	FKLC20710B
Z	FA2-NZSJ-C04-6	FKT6121ZW-010-NT30G-50	FK7121ABZ57NC5F	FKLC20711B

NO.	DESCRIPTION	MATERIAL	FINISH	Q'TY	DRAWING NO.
7	LOCK COVER	NOTE 8	NATURAL	2	FKLC00001B
6	LOCK COVER	NOTE 7		1	SEE TABLE
5	FERRULE	NOTE 6	NOTE 3	2	FKFR00201A
4	CONTACT PIN	NOTE 2	NOTE 4	2	FKCP00401A
3	RETAINER RING	NOTE 2	NATURAL	2	FKRR00101A
2	INSULATOR	NOTE 5	NATURAL	2	FKNS00501A
1	BODY	NOTE 1	NOTE 3	2	FKBD00501A

DIMENSIONS ARE IN MILLIMETERS  
UNLESS OTHERWISE SPECIFIED  
TOLERANCES  
0.5-6 = ±0.2  
6-30 = ±0.4  
30-120 = ±0.6  
120-315 = ±1  
315-1000 = ±1.6  
1000-2000 = ±2.4

PART NO. FA2-NXSJ-C04-6  
APPROVED [Signature] DATE 06-Jul-06  
CHECKED [Signature] DATE 06-Jul-06  
DRAWN [Signature] DATE 06-Jul-06  
FILE NO. F:\DWG\FKT\6121XX\010\50\NT30G-H2SZ

**Amphenol**  
Danbury,CT,USA-Tainan,Taiwan-Shenzhen,China  
TITLE  
FAKRA TWIN SMB CRIMP JACK W/180° DELPHI CLIP  
(FOR RG-58A/U, 58C/U CABLE)  
DRAWING NO.  
FKT6121XX-010-NT30G-50  
ITEM NO.  
FK7121ABX57NC5F