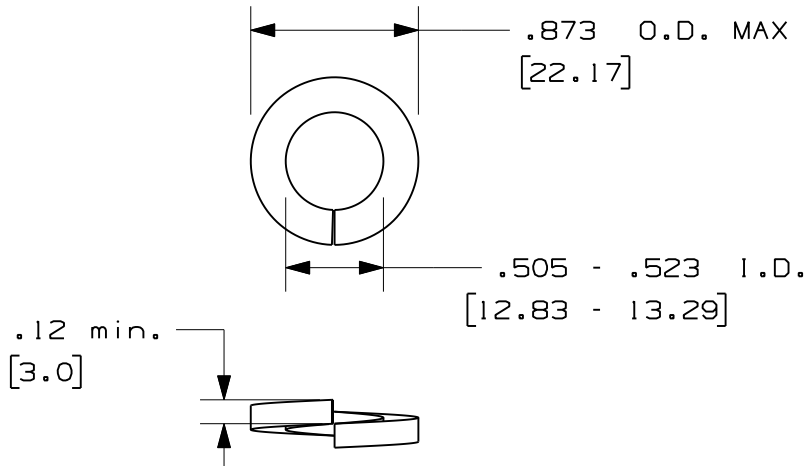


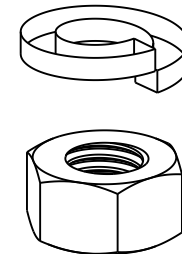
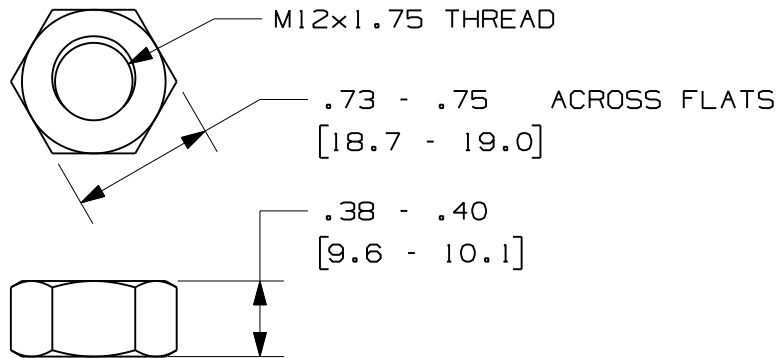
THIS COPY IS PROVIDED ON A RESTRICTED BASIS AND IS NOT TO BE USED IN ANY WAY DETRIMENTAL TO THE INTERESTS OF PANDUIT CORP.



PANDUIT PART NUMBER	WEIGHT PER KIT
HNLW12M	4.68 lb 2123 g

NOTES:

1. SEE CURRENT CATALOG FOR ADDITIONAL PART SUFFIXES TO INDICATE PACKAGE QUANTITY.
2. EACH KIT CONTAINS:
100 PIECES OF M12 X 1.75 HEX NUT
100 PIECES OF HELICAL SPRING LOCKWASHER
3. FINISH COLOR: CLEAR ZINC PLATE
4. DIMENSIONS IN PARENTHESES ARE METRIC.



CAD FILENAME/LAYERS 09D017GQ_DC/00B (HNLW12M)

PANDUIT CORP. TINLEY PARK, ILLINOIS

HEX NUT AND LOCKWASHER KIT
12 MM THREAD
CUSTOMER DRAWING

UNLESS OTHERWISE SPECIFIED,
DIMENSIONAL TOLERANCES ARE:
(.X) ± (.XXX) ± .005 (.13)
(.XX) ± .010 (.3) ANGLES ± 1°

UNLESS OTHERWISE SPECIFIED,
ALL DIMENSIONS ARE GIVEN
IN INCHES, THIRD ANGLE PROJECTION.

REV	DATE	BY	CHK	DESCRIPTION	ECN	CHK	CUST	SUP
I	02-11-11	ERK	DWW	RELEASED TO PRODUCTION	09D01760-DC	RN	RN	
R	12-20-10	JAHA	DWW	DRAWING RELEASED				

DRAWN BY JAHA
DATE 12-20-10
CHK'D DWW

MAT'L: SEE NOTES ABOVE

SCALE FULL
DRAWING NO. 09D017GQ-DC
DWG SIZE A