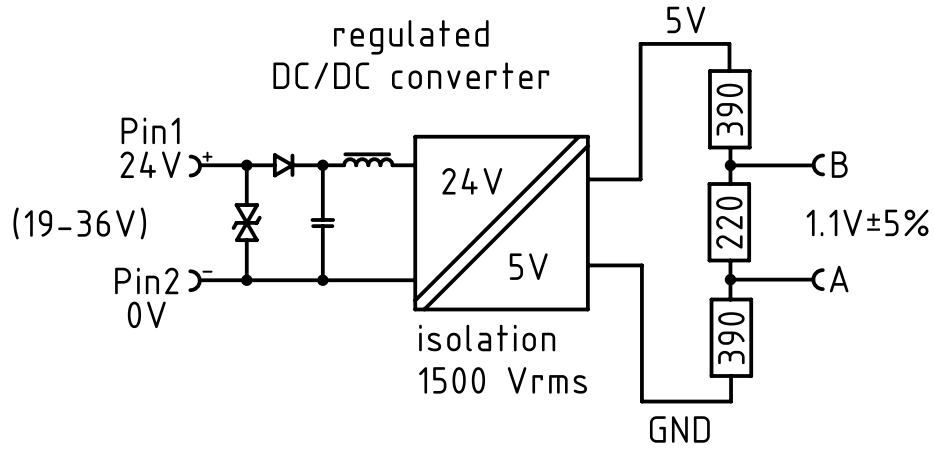
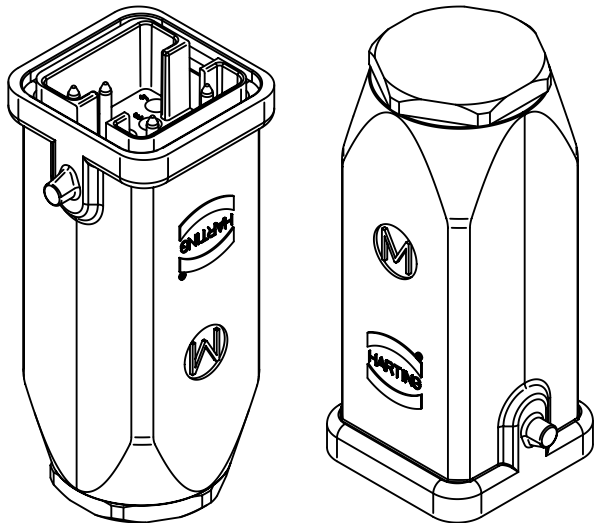
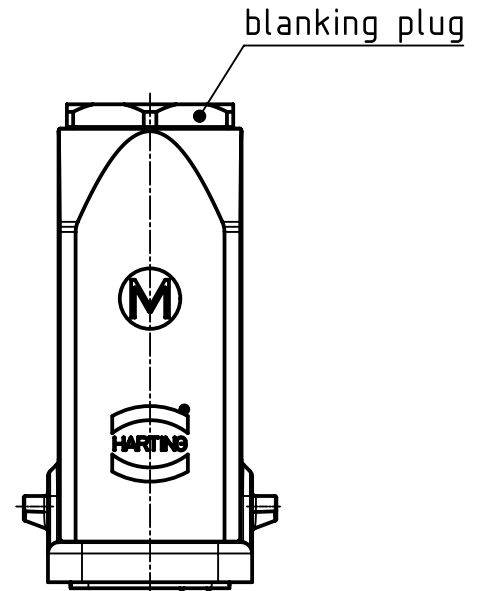
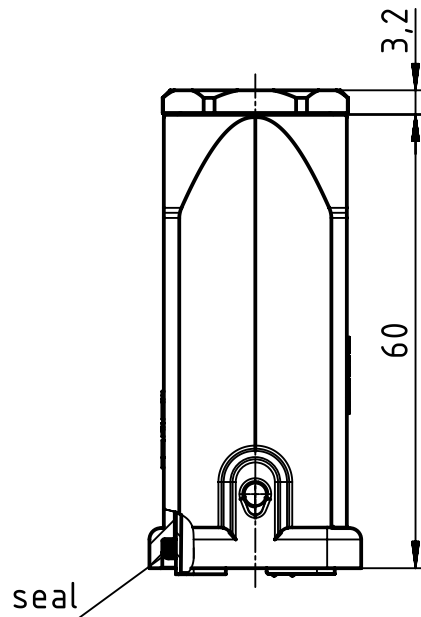
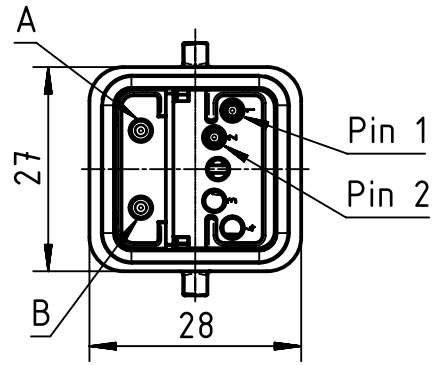


block diagram



ambient temperature: -40 to 70° celsius



| | | | | | | | |
|---|--|--|-------------------------|--------------------------|-----------------|--|--|
| | All rights reserved Department EL PD - DE | All Dimensions in mm Original Size DIN A4 | | Scale 1:1 | Free size tol. | Ref. Sub. TB 09 12 006 2692_02 v. 27.10.2003 | |
| | | Created by WULF | Inspected by STICKFORTH | Standardisation SCHMIDTM | Date 2015-06-01 | State Final Release | |
| HARTING Electric GmbH & Co. KG D-32339 Espelkamp | | Title Han Brid-Male-C terminatio bus | | | | Doc-Key / ECM-Nr. 100105903/UGD/005/E 500000089645 | |
| | | Type TB | Number 09 12 006 2692 | | Rev. E | Page 1/1 | |