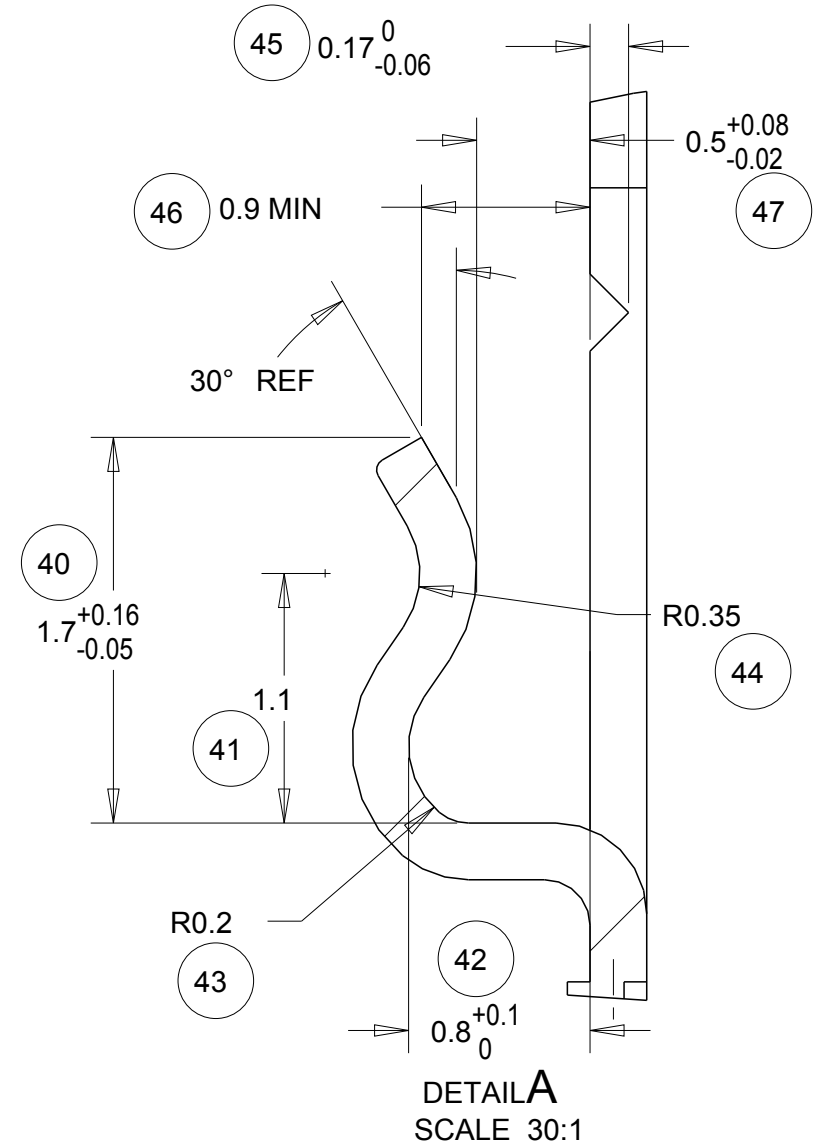
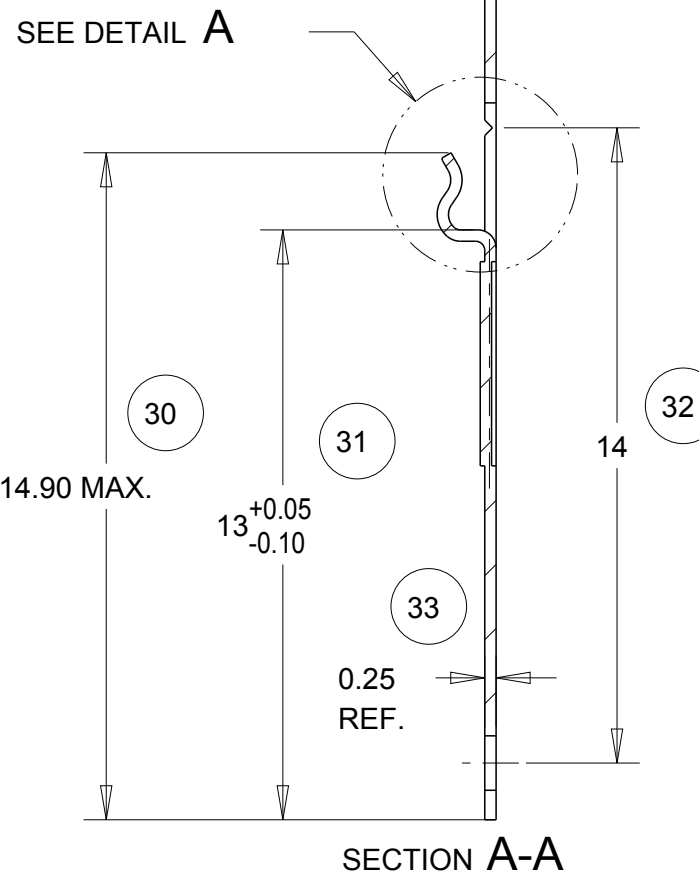
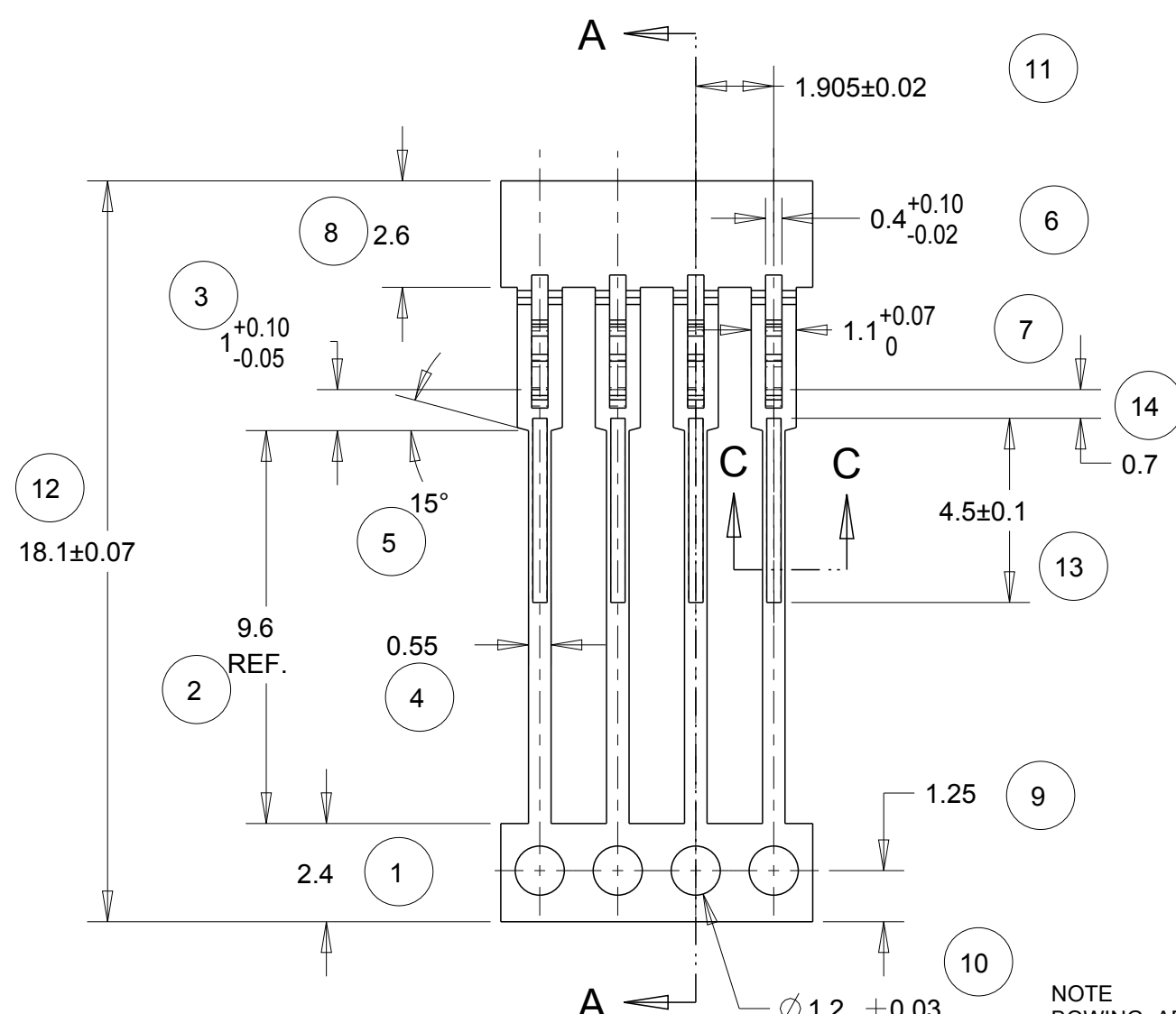
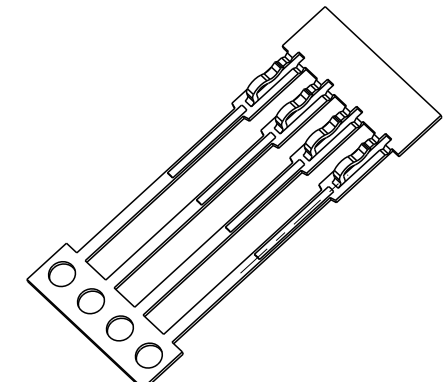
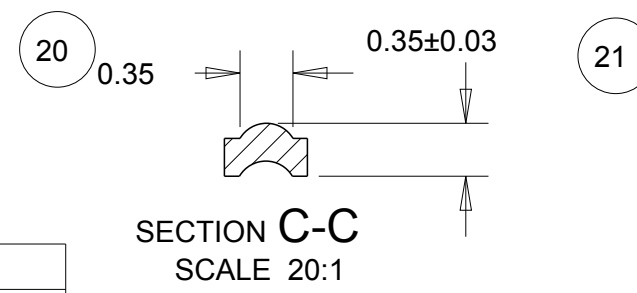


THIS DRAWING IS UNPUBLISHED. RELEASED FOR PUBLICATION 2011  
 © COPYRIGHT 2011 TE CONNECTIVITY ALL RIGHTS RESERVED.

LOC	DIST	REVISIONS			
P	LTR	DESCRIPTION	DATE	DWN	APVD
B	-				
	D	ECR-11-014873	13/07/11	JB	MG
	E	ECR-11-015626	22/07/11	MJG	JA



NOTE  
 BOWING: AFTER UPPER TIE BAR REMOVAL- 1.5mm MAX. FOR 500mm  
 PITCH: AFTER UPPER TIE BAR REMOVAL- 1.905±0.1



REELING DETAILS	
DIRECTION "0" CONTACTS DOWN	
DIRECTION "1" CONTACTS UPWARDS	
DIRECTION OF TOP OF REEL	DIRECTION

THIS DRAWING IS A CONTROLLED DOCUMENT.	
DIMENSIONS: mm	TOLERANCES UNLESS OTHERWISE SPECIFIED: 0 PLC ±- 1 PLC ±- 2 PLC ±0.05 3 PLC ±- 4 PLC ±- ANGLES ±7
MATERIAL SEE TABLE	FINISH -

DWN J.BRIGHT	13/07/11
CHK M.GREENER	13/07/11
APVD D.PENNINGTON	13/07/11
PRODUCT SPEC	-
APPLICATION SPEC	-
WEIGHT	-

REELING	FINISH	MATERIAL	PART NUMBER
0	Ni & Sn	Ph Bz	1544191-2
0	Sn	Ph Bz	1544191-1

DWN J.BRIGHT		13/07/11	
CHK M.GREENER		13/07/11	
APVD D.PENNINGTON		13/07/11	
PRODUCT SPEC			
APPLICATION SPEC			
WEIGHT			
SIZE <b>A3</b>		CAGE CODE 00779	DRAWING NO C-1544191
CUSTOMER DRAWING		SCALE 6:1	SHEET 1 OF 1
		REV E	



SIL CONTACT