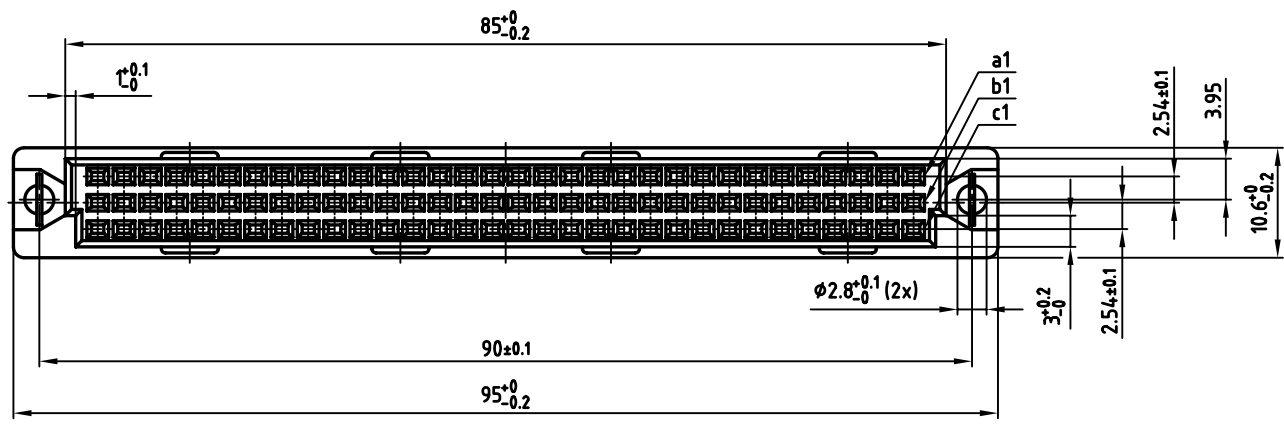
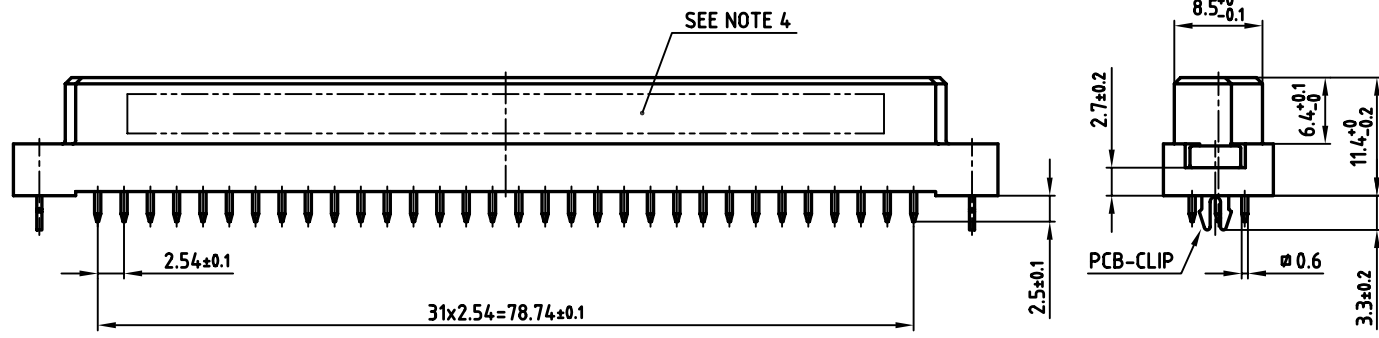


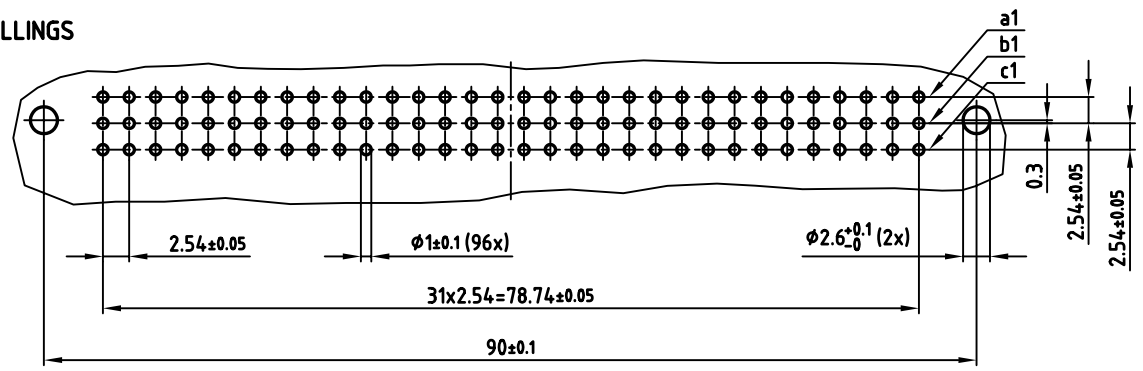
used for: DIN EN 60603-2 TYPE "C"



- NOTES:**
- INSULATORS: PBTP UL 94 V-0, GREY
  - CONTACTS: COPPER ALLOY  
PLATING: GOLD OVER NICKEL  
50 MATING CYCLES
  - PCB-CLIP: COPPER ALLOY  
PCB HOLE  $\phi 2.6 \pm 0.1$  / PCB THICKNESS  $t=1.6\text{mm}$
  - CONNECTOR IS PART MARKED: 122A13289X CONEC ABC



**P.C.B. HOLE DRILLINGS**



APPROVAL # FREIGABE # DEBLOCAGE # AUTORIZACION # APPROVAL		tolerance		scale: 2:1	
CUSTOMER APPROVAL DATE:		2006 date		material: SEE NOTES	
NAME: TITLE:		drawn 01.06. Lehmenkühler		title: FEMALE CONNECTOR TYPE "C"	
COMPANY NAME:		appd. 01.06. Mickenbecker		96pos. SOLDER PIN 2.5mm with clip	
APPROVAL # FREIGABE # DEBLOCAGE # AUTORIZACION # APPROVAL		norm DIN EN 60603-2		dwg no: AutoCAD 2006 DIN-A	
THIS DRAWING MAY NOT BE COPIED OR REPRODUCED IN ANY WAY, AND MAY NOT BE PASSED ON TO A THIRD PARTY, WITHOUT WRITTEN PERMISSION. OWNERSHIP AND COPYRIGHT OF CONEC Gmbh DO NOT ALTER CAD DRAWING BY HAND		d-old		12K1A436	
		a Origin		sh: 1/1	
		CONEC		part no: 122A13289X	
rev. description date name					